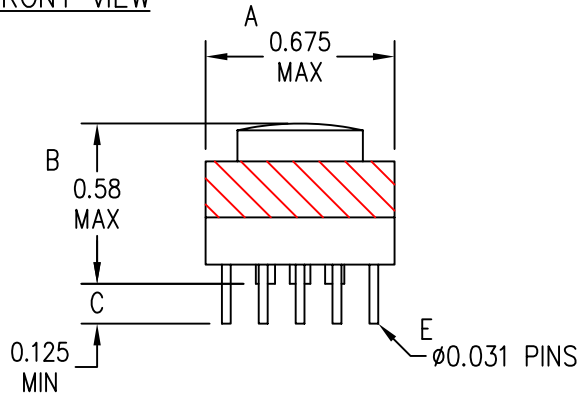




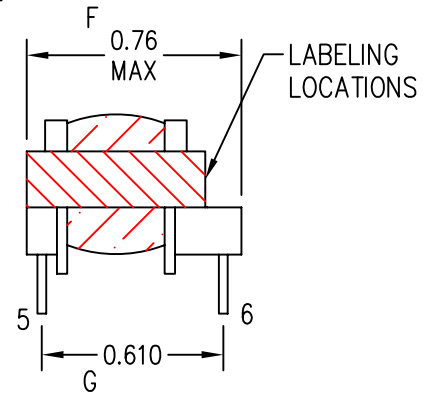
RENCO ELECTRONICS, INC.

595 INTERNATIONAL PL. • ROCKLEDGE, FLORIDA 32955
 ph. (321)637-1000 fax (321)637-1600
 web www.rencousa.com < > email engineering@rencousa.com

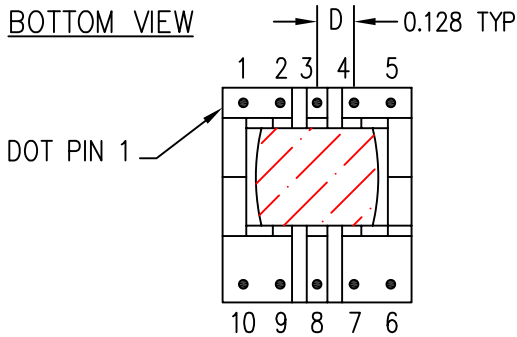
FRONT VIEW



SIDE VIEW



BOTTOM VIEW



NOTE: SHORT PINS 10 TO 9 AND 8 TO 7 ON PCB

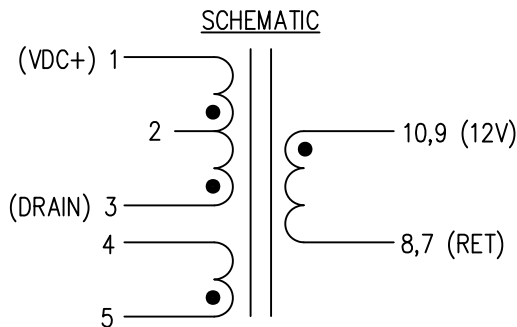
ELECTRICAL TEST PARAMETERS:

INDUCTANCE @ 80kHz/0.1VAC
 L(3-1)=650.0µH ±7%
 RANGE: (604.5µH-695.5µH)

LEAKAGE INDUCTANCE @ 80kHz/0.1VAC
 SHORT PINS: A,B
 LL(3-1)=7.0µH MAX (PRE-LIM)

DC RESISTANCE OHMS (Ω) @ 25°C
 DCR: (3-1)=1.70Ω ±15%
 (5-4)=0.160Ω ±15%
 (9-7)=0.050Ω ±20%
 (10-8)=0.050Ω ±20%

HIPOT
 APPLY: 2500VAC @ 60Hz FOR 1 SEC
 BTWN 1,4 TO 10,9
 APPLY: 1500VDC FOR 1 SEC
 BTWN 1 TO 5
 APPLY: 2500VAC @ 60Hz FOR 1 SEC
 BTWN 1,5,9,10 TO CORE



COURTESY DRAWING

FILE NAME
 RLTI-1156

-TOLERANCES-		CUSTOMER NAME		THIS COURTESY PRINT IS PROPRIETARY AND CONFIDENTIAL NO PART OF THIS COURTESY PRINT MAY BE DISCLOSED TO A THIRD PARTY WITHOUT PRIOR WRITTEN CONSENT FROM RENCO ELECTRONICS INC.	
UNLESS OTHERWISE SPECIFIED DIMENSIONS ARE IN INCHES		TEXAS INSTRUMENTS			
.XX=±	0.03	DESCRIPTION		THIS DOCUMENT IS FOR REFERENCE ONLY	
.XXX=±	0.015	FLYBACK FOR PMP11303, 12V @12W			
ANGULAR=±	3°	ENGINEER CONTACT	DWN BY		
FRACTIONAL=±	1/16"	I. RENSING	IAR		
		DATE	SCALE	RoHS COMPLIANT: YES <input checked="" type="checkbox"/> NO <input type="checkbox"/>	
		08/31/15	NONE	REV	PAGE
				PRE	1 of 1