



RENCO ELECTRONICS, INC.

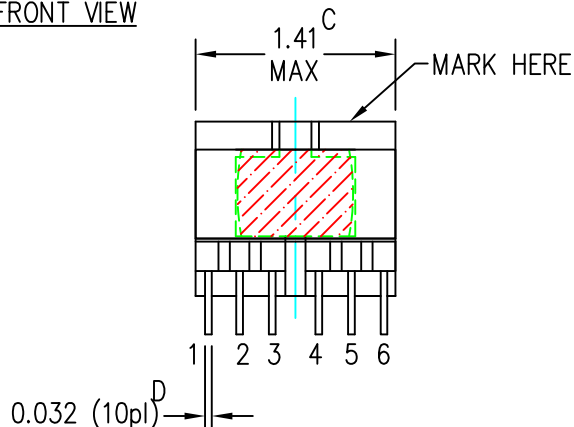
595 INTERNATIONAL PL. ROCKLEDGE, FLORIDA 32955

ph. (321)637-1000 fax (321)637-1600

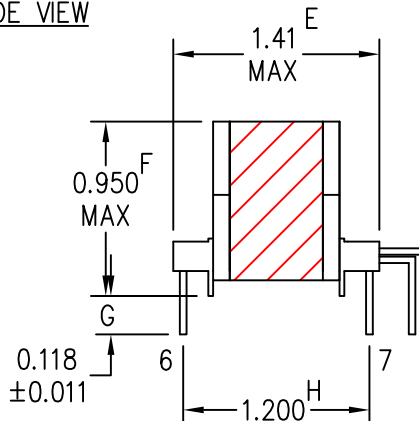
web www.rencousa.com < > email engineering@rencousa.com

CONTACT ENGINEERING@RENCUSA.COM FOR QUOTE OR SAMPLE. REFERENCE RLTI-1174

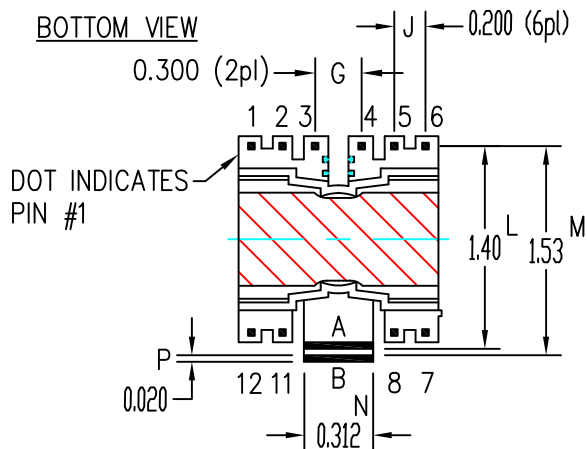
FRONT VIEW



SIDE VIEW



BOTTOM VIEW



ELECTRICAL TEST PARAMETERS:

INDUCTANCE @ 60kHz/0.1VAC

L(1-3)=100uH ±7%
RANGE: (93uH-107uH)

LEAKAGE INDUCTANCE @ 60kHz/0.1VAC

SHORT PINS: A,B
Le(1-3)=3.0uH MAX

DC RESISTANCE OHMS (Ω) ±15% @ 25°C

RDC(1-3)=0.050Ω (A-B)=0.0007ΩMAX
(6-5)=0.018Ω

HIPOT

APPLY: 3000VAC @ 60Hz FOR 2 SEC
BTWN 3,5 TO A

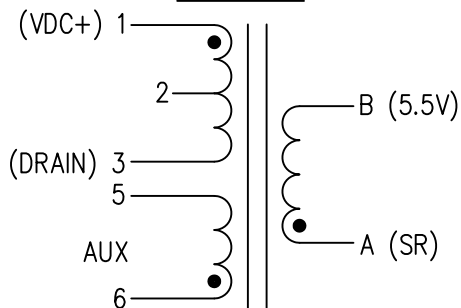
APPLY: 2500VAC @ 60Hz FOR 2 SEC
BTWN 3,5,A TO CORE

APPLY: 1500VAC @ 60Hz FOR 2 SEC
BTWN 3 TO 5

TURNS RATIO

PRIMARY:SECONDARY: AUX = 1:0.071:0.214

SCHEMATIC



	SUPPLIER	PART #	DESCRIPTION	UL FILE #
1	ACME	FERRITE, MnZn	CORE	N/A
2	SUMITOMO	PM9820	BOBBIN	E41429
3	3M	#1350F-1 TAPE	WINDING TAPE	E17385
4	3M	#92	FOIL WRAP	E17385
5	FURUKAWA	TEX-E	TRIPLE INSULATED WIRE	E206198
6	DOLPHS	BC-346A	VARNISH	E51047

THIS COMPONENT COMPLIES WITH A UL CLASS B (130°C) INSULATION SYSTEM ADOPTED BY RENCO ELECTRONICS UNDER UL FILE E73291 AND IS DESIGNATED BY R130, TABLE II.

RoHS COMPLIANT: YES NO (REFERENCE: C21322)

- TOLERANCES -	
UNLESS OTHERWISE SPECIFIED DIMENSIONS ARE IN INCHES	
.XX=±	.03
.XXX=±	.015
ANGULAR=±	3°
FRACTIONAL=±	1/16"

DWN BY	DATE	CUSTOMER NAME
IAR	08/23/16	TEXAS INSTRUMENTS
ENGR CONTACT	REV	DESCRIPTION
I. RENSING	PRE	FLYBACK TRANSFORMER FOR PMP11371
SIZE	SCALE=	PAGE
A	NONE	1 of 1

THIS DOCUMENT IS FOR REFERENCE ONLY

COMPONENT DRAWING

FILE NAME

RLTI-1174