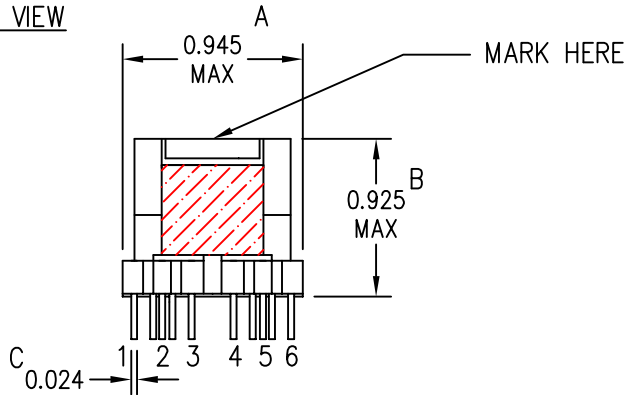


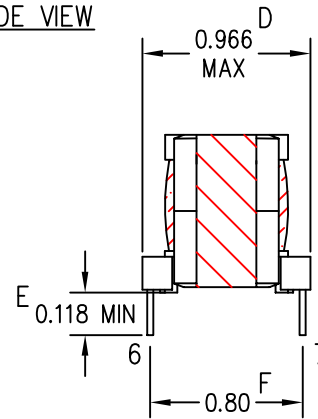


COURTESY DRAWING

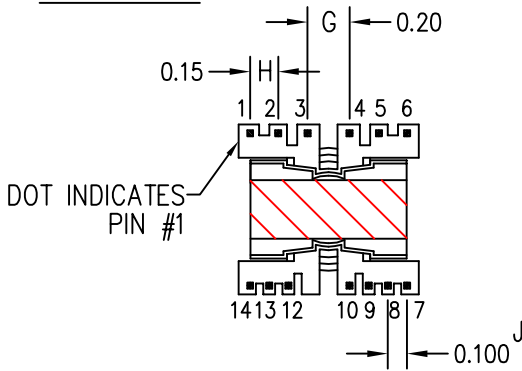
FRONT VIEW



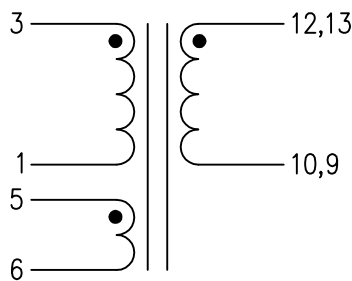
SIDE VIEW



BOTTOM VIEW



SCHEMATIC



ELECTRICAL TEST PARAMETERS:

INDUCTANCE @ 10kHz/0.1VAC
 $L(3-1) = 200\mu\text{H} \pm 7\%$

INDUCTANCE @ 10kHz/0.1VAC W/1.66A DC BIAS
 $L(3-1) = 180\mu\text{H} \text{ MIN}$

LEAKAGE INDUCTANCE @ 100kHz/0.1VAC
SHORT PINS: 5,6,9,10,12,13
 $LL(3-1) = \mu\text{H} \text{ MAX}$

DC RESISTANCE OHMS (Ω) @ 25°C
 DCR: $(3-1) = 0.390\Omega \pm 10\%$
 $(5-6) = 0.055\Omega \pm 20\%$
 $(12-10) = 0.006\Omega \pm 30\%$

HIPOT
 APPLY: 3000VAC @ 60Hz FOR 1 SEC, 5mA MAX
 BTWN 1,3,5,6 TO 9,10,12,13
 600VAC @ 60Hz FOR 1 SEC, 5mA MAX
 BTWN 1,3, TO 5,6

TURNS RATIO/POLARITY
 APPLY: 1.00V @ 10kHz TO PINS (3-1)
 Vout: $(5-6) = 0.125V \pm 3\%$
 $(12-10) = 0.250V \pm 3\%$

FILE NAME

RLTI-1228

- TOLERANCES -		CUSTOMER NAME		THIS COURTESY PRINT IS PROPRIETARY AND CONFIDENTIAL NO PART OF THIS COURTESY PRINT MAY BE DISCLOSED TO A THIRD PARTY WITHOUT PRIOR WRITTEN CONSENT FROM RENCO ELECTRONICS INC.	
UNLESS OTHERWISE SPECIFIED DIMENSIONS ARE IN INCHES		TEXAS INSTRUMENTS			
.XX=±	0.03	DESCRIPTION			
.XXX=±	0.015	PMP20809			
ANGULAR=±	3°	ENGINEER CONTACT	DWN BY	THIS DOCUMENT IS FOR REFERENCE ONLY	
FRACTIONAL=±	1/16"	K. ENSER	KE		
		DATE	SCALE		
		03/09/17	NONE	RoHS COMPLIANT: YES <input checked="" type="checkbox"/> NO <input type="checkbox"/>	
				REV	PAGE
				PRE	1 of 1