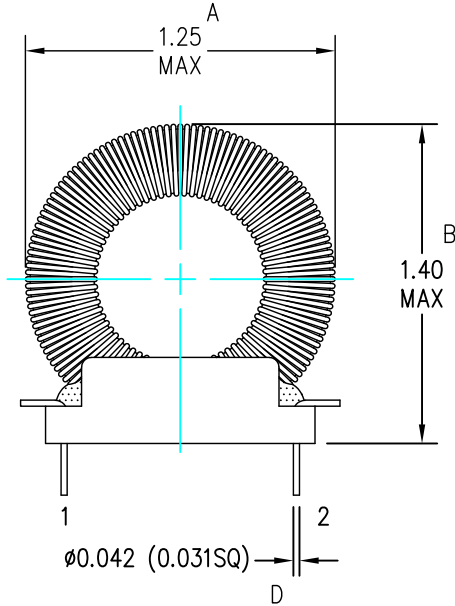




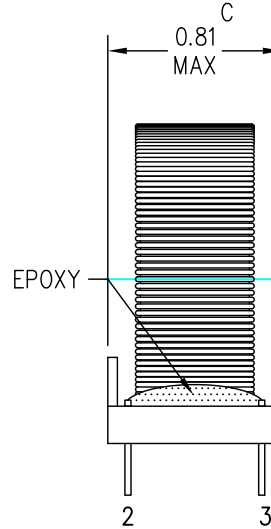
**RENCO ELECTRONICS, INC.**

595 INTERNATIONAL PL. • ROCKLEDGE, FLORIDA 32955  
 ph. (321)637-1000 fax (321)637-1600  
 web www.rencousa.com < > email engineering@rencousa.com

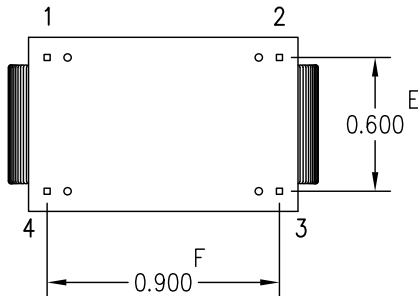
FRONT VIEW



SIDE VIEW



BOTTOM VIEW



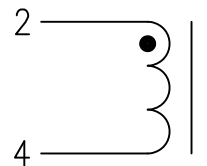
ELECTRICAL TEST PARAMETERS:

INDUCTANCE @ 10kHz/0.1VAC  
 L(2-4)=10.4µH ±12%

INDUCTANCE @ 10kHz/0.1VAC/8A DC BIAS  
 L(2-4)=9.5µH MIN

DC RESISTANCE OHMS (Ω) @ 25°C  
 DCR:(2-4)=0.030Ω ±15%

SCHEMATIC



COURTESY DRAWING

FILE NAME  
 RLTI-1304

<b>-TOLERANCES-</b>		<b>CUSTOMER NAME</b>		THIS COURTESY PRINT IS PROPRIETARY AND CONFIDENTIAL NO PART OF THIS COURTESY PRINT MAY BE DISCLOSED TO A THIRD PARTY WITHOUT PRIOR WRITTEN CONSENT FROM RENCO ELECTRONICS INC.	
UNLESS OTHERWISE SPECIFIED DIMENSIONS ARE IN INCHES		TEXAS INSTRUMENTS			
.XX=±	0.03	<b>DESCRIPTION</b>		THIS DOCUMENT IS FOR REFERENCE ONLY	
.XXX=±	0.015	RESONANT INDUCTOR FOR 21683			
ANGULAR=±	3°	<b>ENGINEER CONTACT</b>	<b>DWN BY</b>		
FRACTIONAL=±	1/16"	I. RENSING	IAR		
		<b>DATE</b>	<b>SCALE</b>	<b>RoHS COMPLIANT: YES <input checked="" type="checkbox"/> NO <input type="checkbox"/></b>	
		10/04/18	NONE	<b>REV</b>	<b>PAGE</b>
				PRE	1 of 1