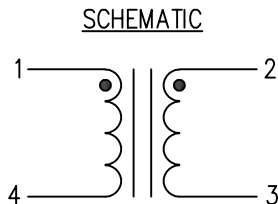
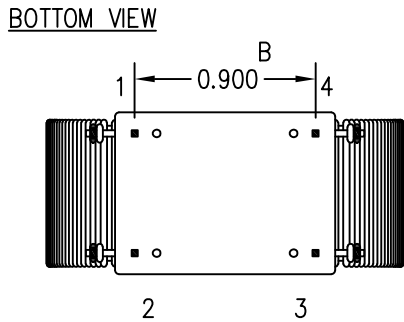
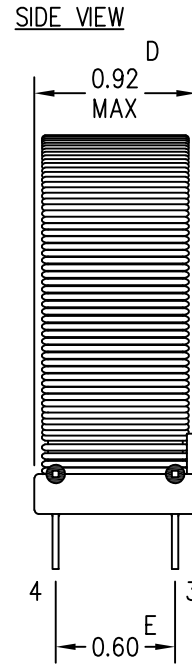
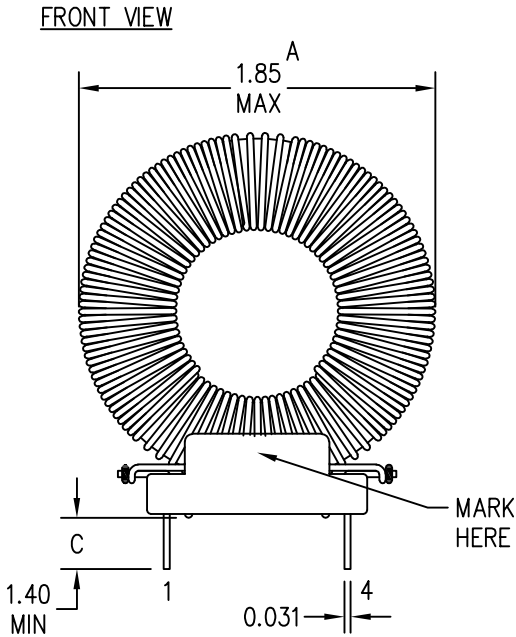




RECO ELECTRONICS, INC.

595 INTERNATIONAL PL. • ROCKLEDGE, FLORIDA 32955
 ph. (321)637-1000 fax (321)637-1600
 web www.rencousa.com < > email engineering@rencousa.com



ELECTRICAL TEST PARAMETERS:

INDUCTANCE @ 100kHz/0.1VAC

"L" BALANCE TO BE WITHIN 2%

L(1-4)=160µH ±15%

L(2-3)=160µH ±15%

INDUCTANCE @ 100kHz/0.1VAC/10.25A DC BIAS

L(1-4)=150µH ±20%

LEAKAGE INDUCTANCE @ 100kHz/0.1VAC

SHORT PINS: 2,3

L(1-4)=20-40µH

DC RESISTANCE OHMS (Ω) @ 25°C

DCR: (1-4)=0.110Ω ±15%

(2-3)=0.115Ω ±15%

HIPOT

APPLY: 1000VDC FOR 1 SEC, 1mA MAX

BTWN 1 TO 2

COURTESY DRAWING

FILE NAME

RLTI-1363

-TOLERANCES-		CUSTOMER NAME		THIS COURTESY PRINT IS PROPRIETARY AND CONFIDENTIAL NO PART OF THIS COURTESY PRINT MAY BE DISCLOSED TO A THIRD PARTY WITHOUT PRIOR WRITTEN CONSENT FROM RECO ELECTRONICS INC.	
UNLESS OTHERWISE SPECIFIED DIMENSIONS ARE IN INCHES		TEXAS INSTRUMENTS			
.XX=±	0.03	DESCRIPTION		THIS DOCUMENT IS FOR REFERENCE ONLY	
.XXX=±	0.015	COUPLED INDUCTOR			
ANGULAR=±	3°	ENGINEER CONTACT	DWN BY		
FRACTIONAL=±	1/16"	I. RENSING	IAR	RoHS COMPLIANT: YES <input checked="" type="checkbox"/> NO <input type="checkbox"/>	
		DATE	SCALE		
		09/01/20	NONE	PRE	1 OF 1