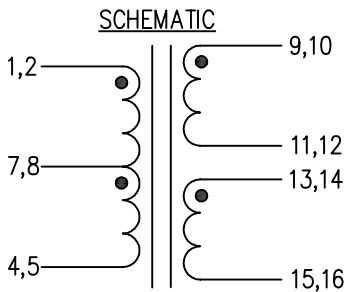
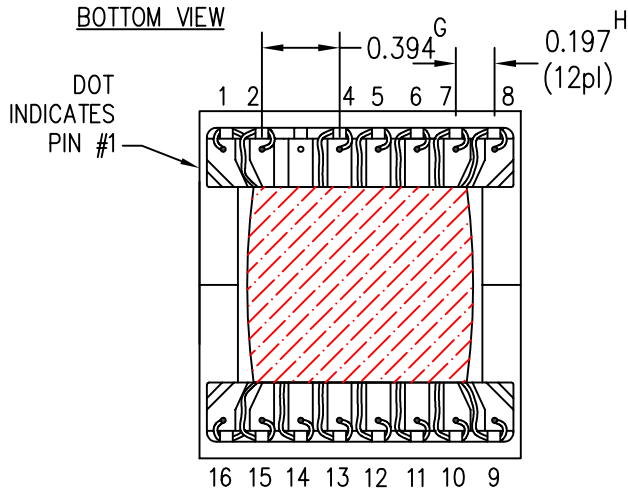
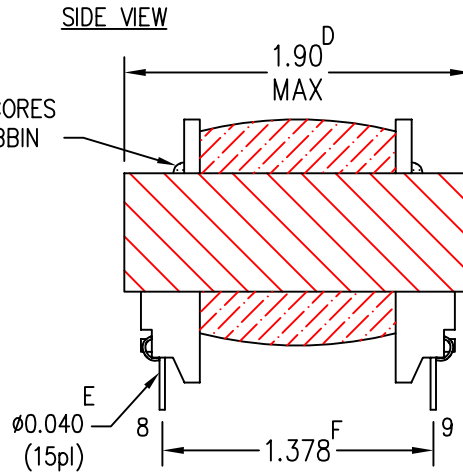
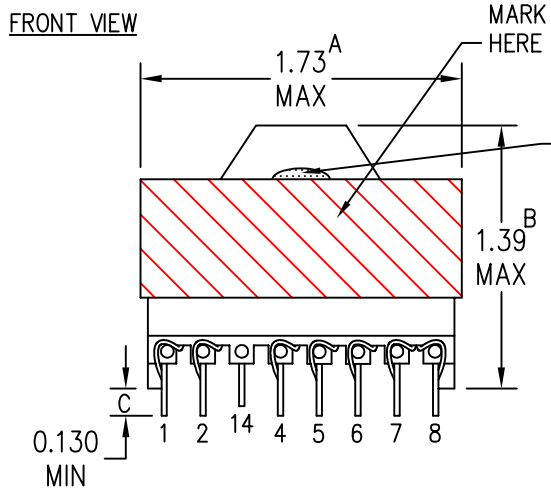




**RENCO ELECTRONICS, INC.**

595 INTERNATIONAL PL. • ROCKLEDGE, FLORIDA 32955  
 ph. (321)637-1000 fax (321)637-1600  
 web www.rencousa.com < > email engineering@rencousa.com



ELECTRICAL TEST PARAMETERS:

INDUCTANCE @ 10kHz/0.1VAC  
 L(1,2-4,5)=2.00mH MIN

LEAKAGE INDUCTANCE @ 100kHz/0.1VAC  
SHORT PINS: 9,10,11,12,13,14,15,16  
 LL(1,2-4,5)=2.50µH MAX

DC RESISTANCE OHMS (Ω) @ 25°C  
 DCR: (1,2-4,5)=0.060Ω ±20%  
 (9,10-11,12)=0.015Ω ±20%  
 (13,14-15,16)=0.015Ω ±20%

HIPOT  
 APPLY: 500VAC @ 60Hz FOR 1 SEC (PRE-VARNISH)  
 BTWN 9,10 TO 13,14  
 APPLY: 2500VAC @ 60Hz FOR 1 SEC  
 BTWN 7,8 TO 11,12,13,14

TURNS RATIO/POLARITY  
 APPLY: 1.00V @ 10kHz TO PINS (1,2-4,5)  
 Vout: (9,10-11,12)=0.500 ±3%  
 (13,14-15,16)=0.500 ±3%

COURTESY DRAWING

FILE NAME  
 RL-10697

- TOLERANCES -		CUSTOMER NAME		THIS COURTESY PRINT IS PROPRIETARY AND CONFIDENTIAL NO PART OF THIS COURTESY PRINT MAY BE DISCLOSED TO A THIRD PARTY WITHOUT PRIOR WRITTEN CONSENT FROM RENCO ELECTRONICS INC.	
UNLESS OTHERWISE SPECIFIED DIMENSIONS ARE IN INCHES		RENCO ELECTRONICS, INC.			
.XX=±	0.03	DESCRIPTION		THIS DOCUMENT IS FOR REFERENCE ONLY	
.XXX=±	0.015	400W FULL BRIDGE XFMR			
ANGULAR=±	3'	ENGINEER CONTACT	DWN BY		
FRACTIONAL=±	1/16"	I. RENSING	M. HILLER	REV B	
DATE		SCALE		PAGE	
07/09/18		1:1		1 OF 1	
RoHS COMPLIANT: YES <input checked="" type="checkbox"/> NO <input type="checkbox"/>					