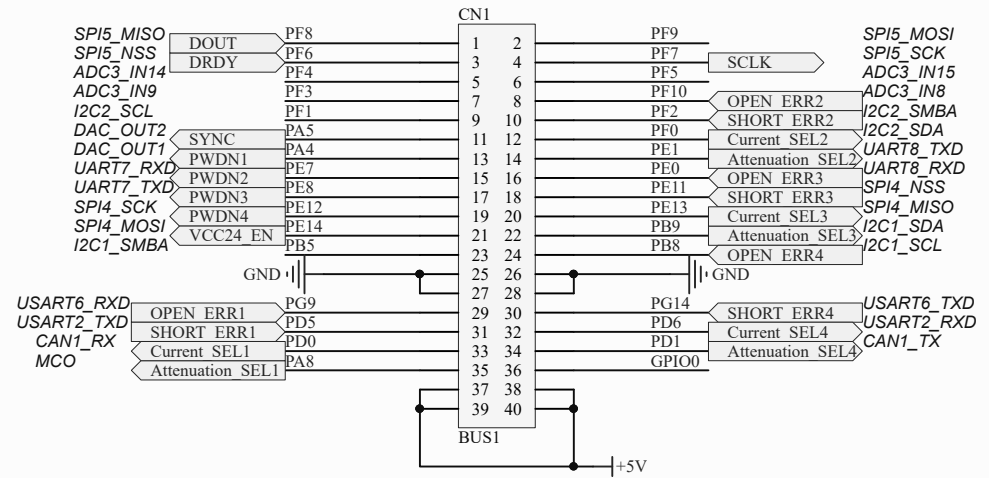
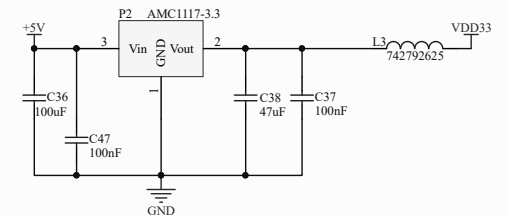
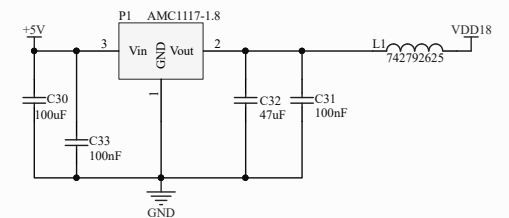
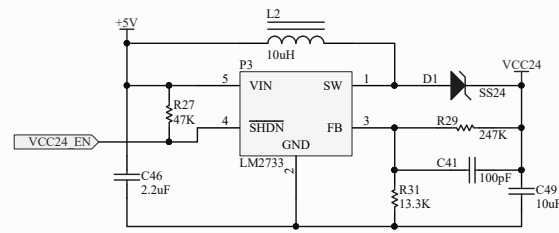
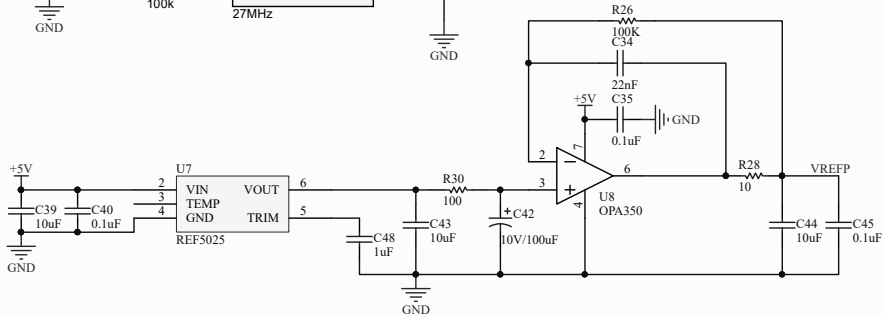
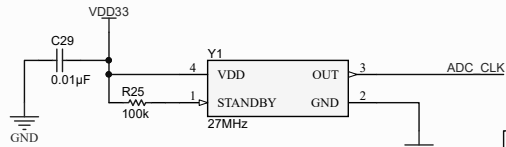
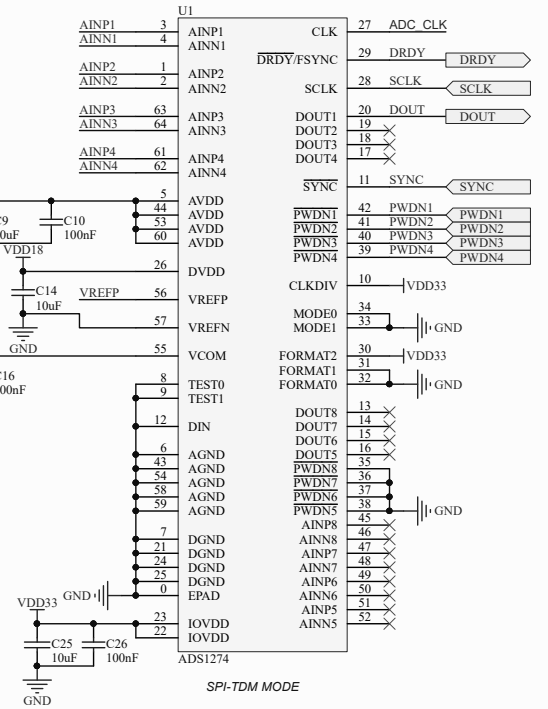
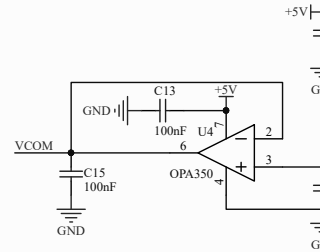
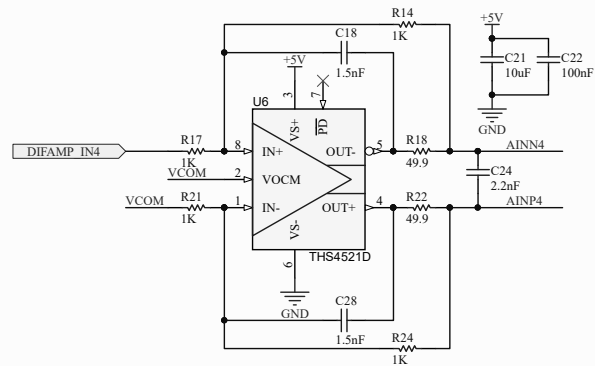
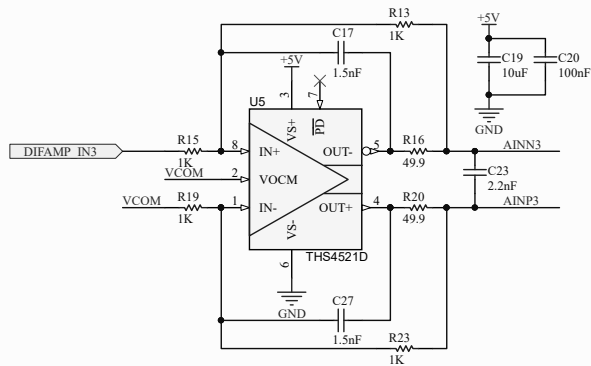
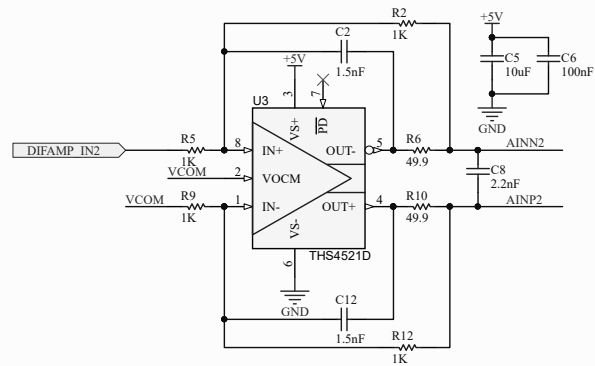
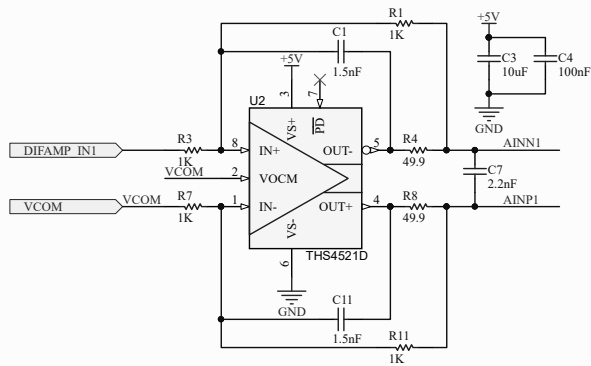


Title		
Size	Number	Revision
A4		
Date:	2020/2/20 星期四	Sheet of
File:	C:\Users\...\Modular2_MS4000_V1.0.SchDoc	Drawn By:

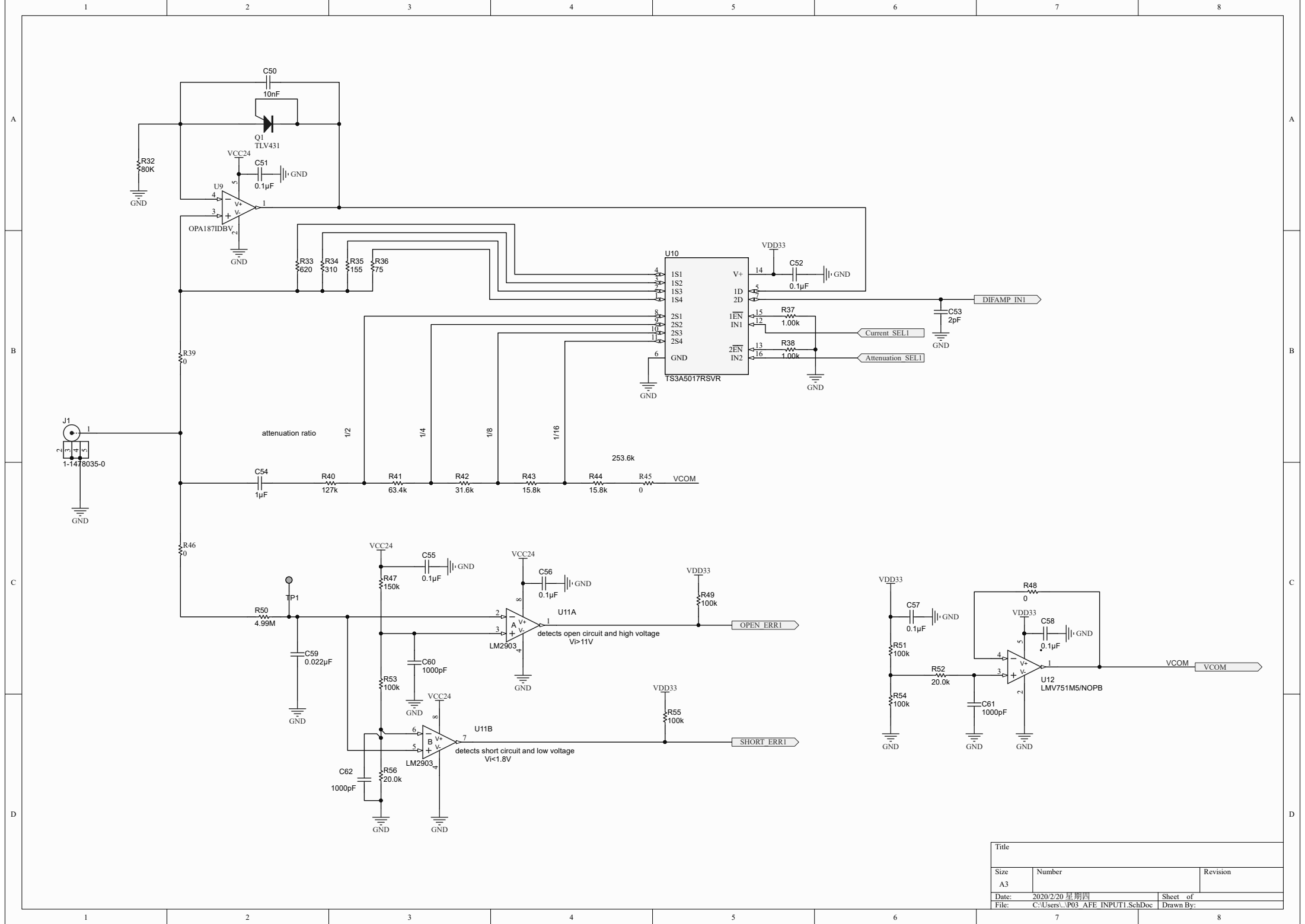


Connector to STM32F767 board

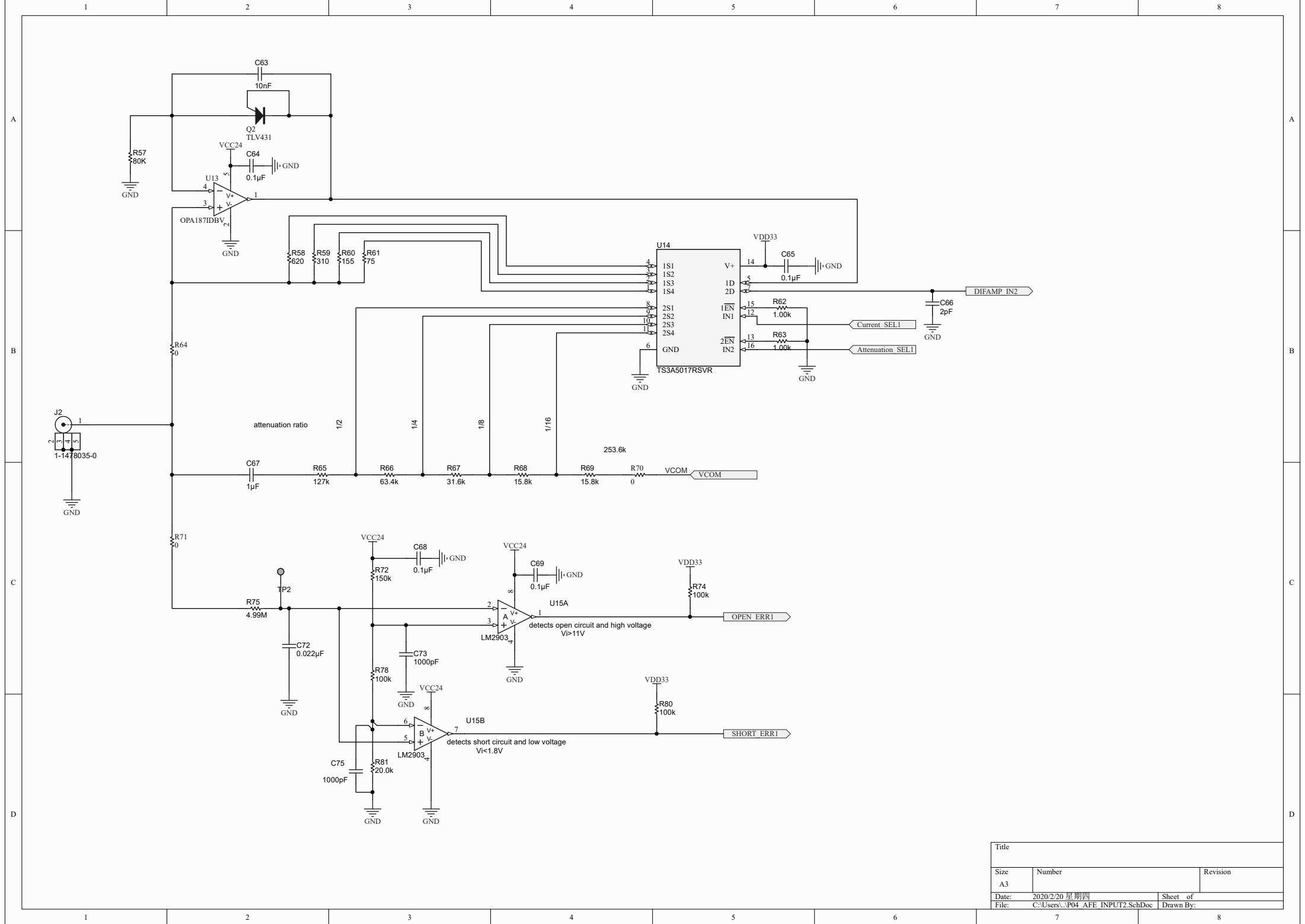
Title		
Size A4	Number	Revision
Date:	2020/2/20 星期四	Sheet of
File:	C:\Users\...\P01 Connectors.SchDoc	Drawn By:



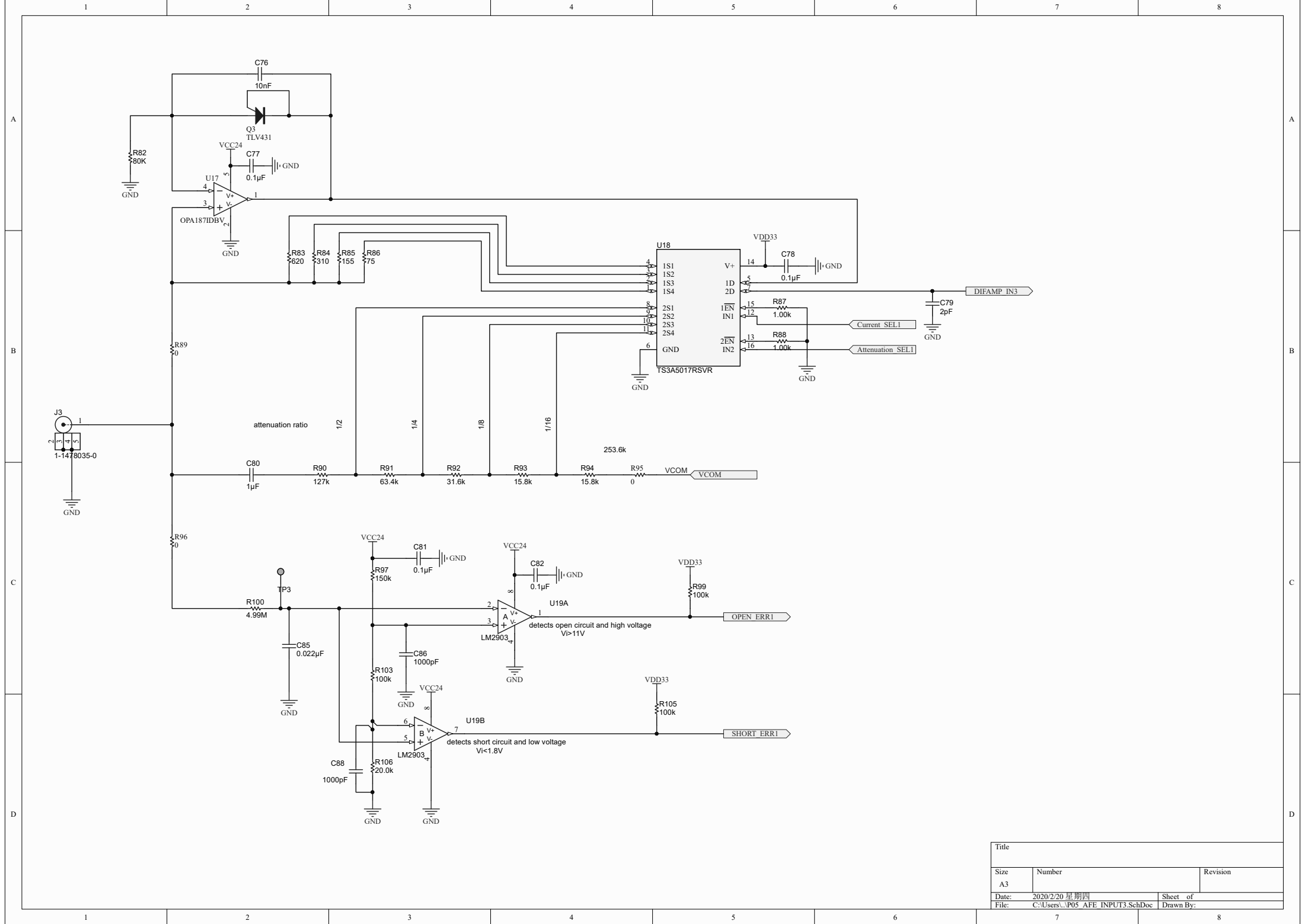
Title		
Size	Number	Revision
A3		
Date:	2020/2/20 星期四	Sheet of
File:	C:\Users\...P02_ADC.SchDoc	Drawn By:



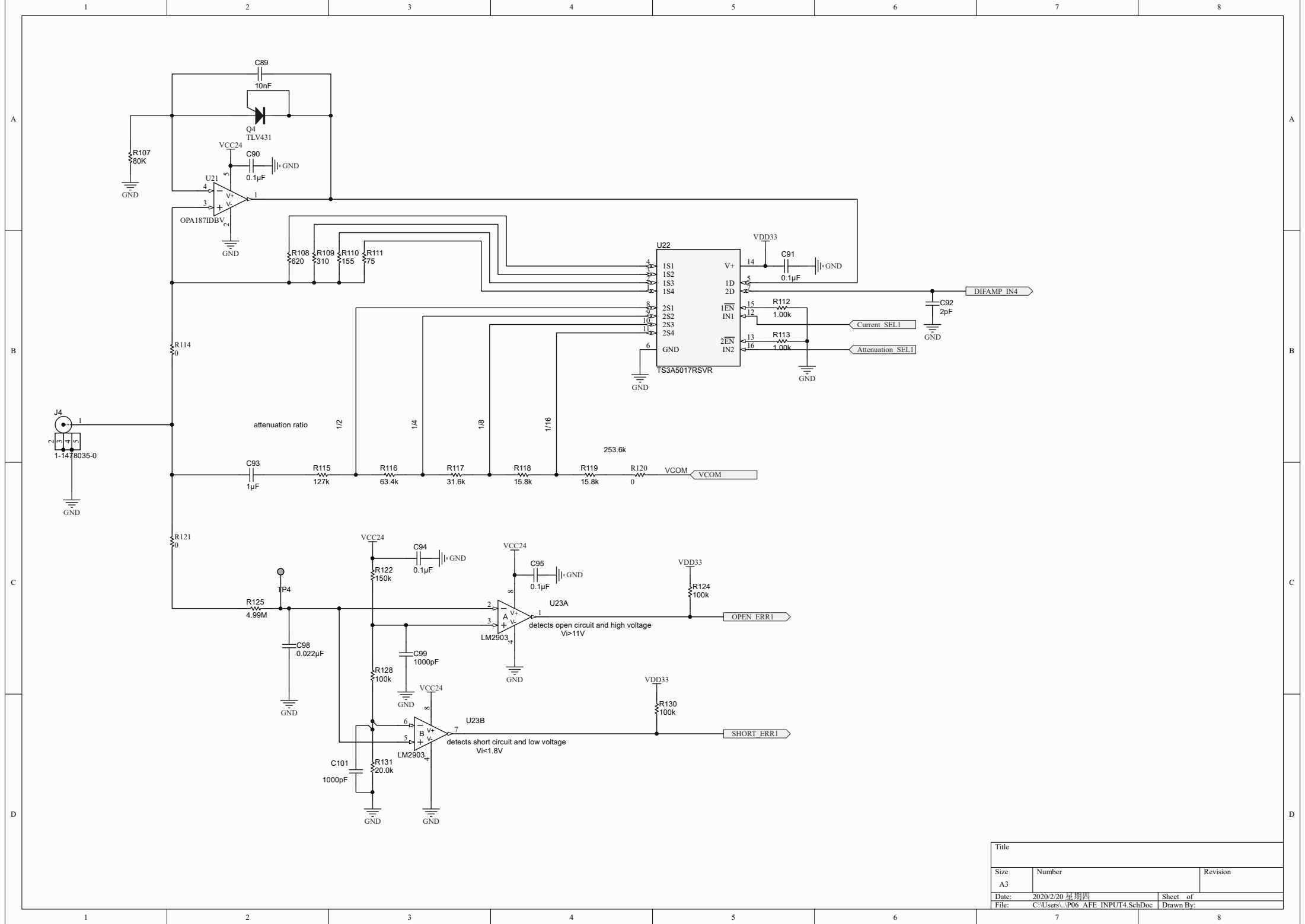
Title		
Size	Number	Revision
A3		
Date:	2020/2/20 星期四	Sheet of
File:	C:\Users\...\P03_AFE_INPUT1.SchDoc	Drawn By:



Title		
Size	Number	Revision
A3		
Date:	2020/2/20 星期四	Sheet of
File:	C:\Users\...P04_AFE_INPUT2.SchDoc	Drawn By:



Title		
Size	Number	Revision
A3		
Date:	2020/2/20 星期四	Sheet of
File:	C:\Users\...P05_AFE_INPUT3.SchDoc	Drawn By:



Title		
Size	Number	Revision
A3		
Date:	2020/2/20 星期四	Sheet of
File:	C:\Users\...P06_AFE_INPUT4.SchDoc	Drawn By: