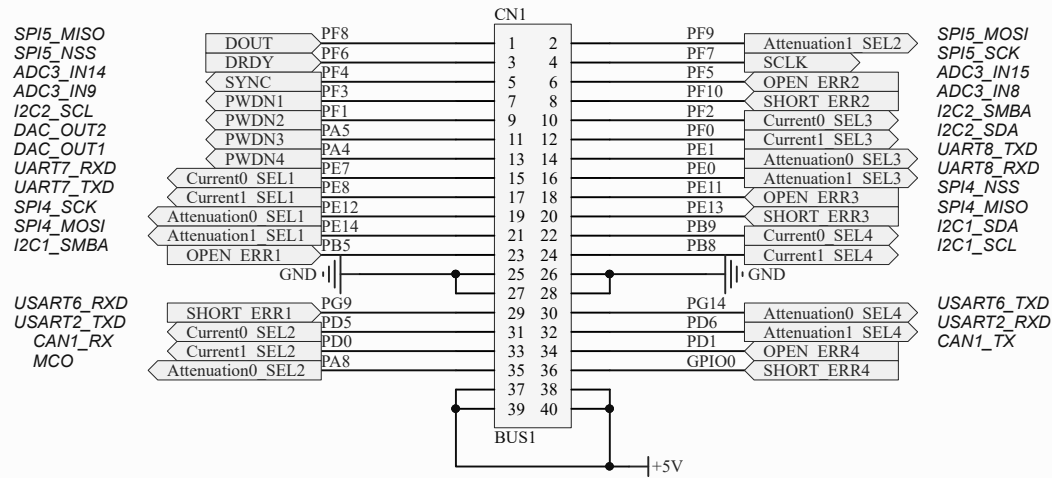
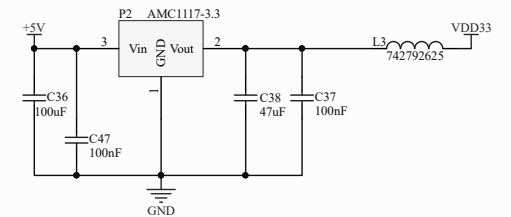
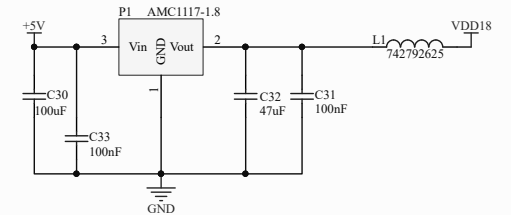
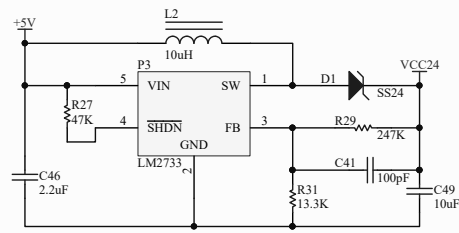
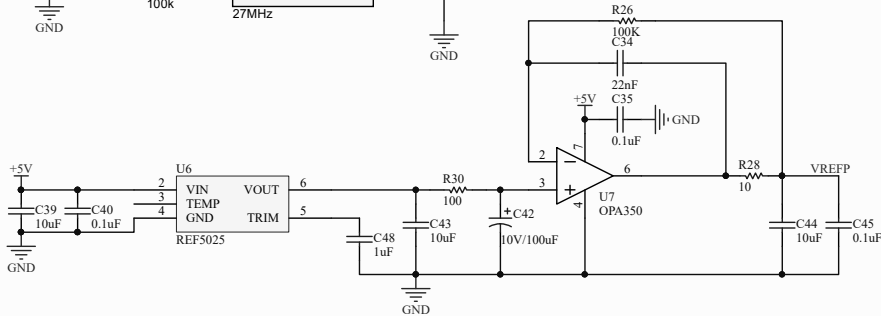
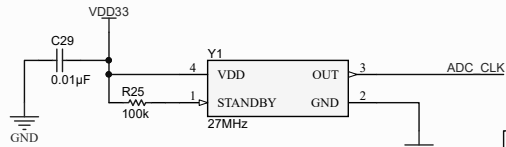
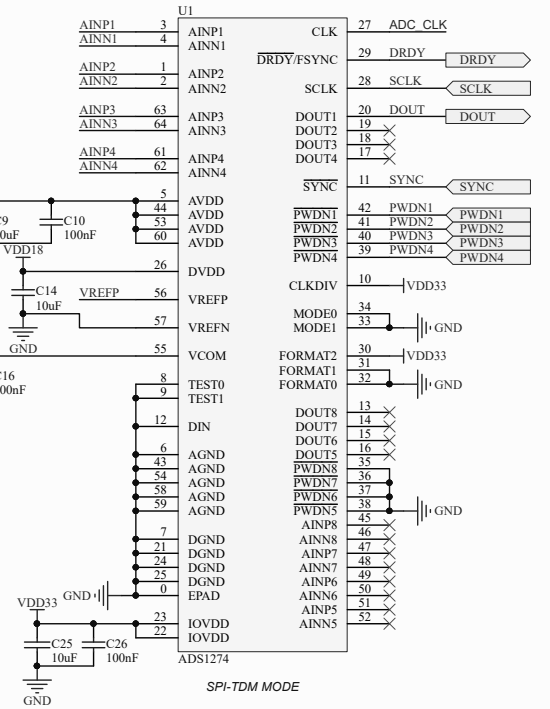
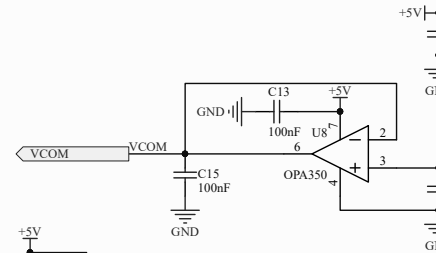
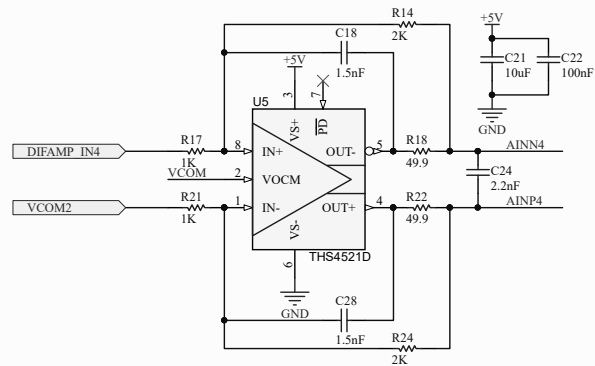
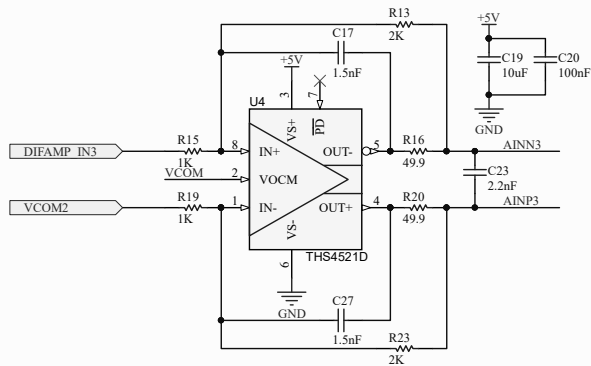
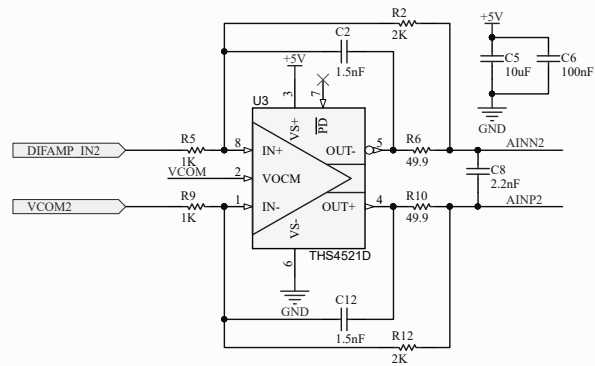
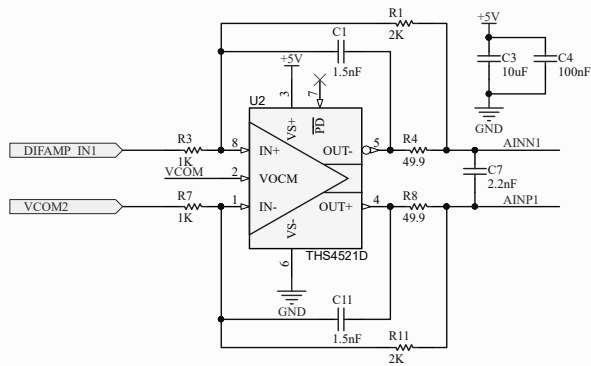


Title		
Size	Number	Revision
A4		
Date:	2020/3/12 星期四	Sheet of
File:	C:\Users\...\Modular2_MS4000_V1.0.SchDoc	Drawn By:

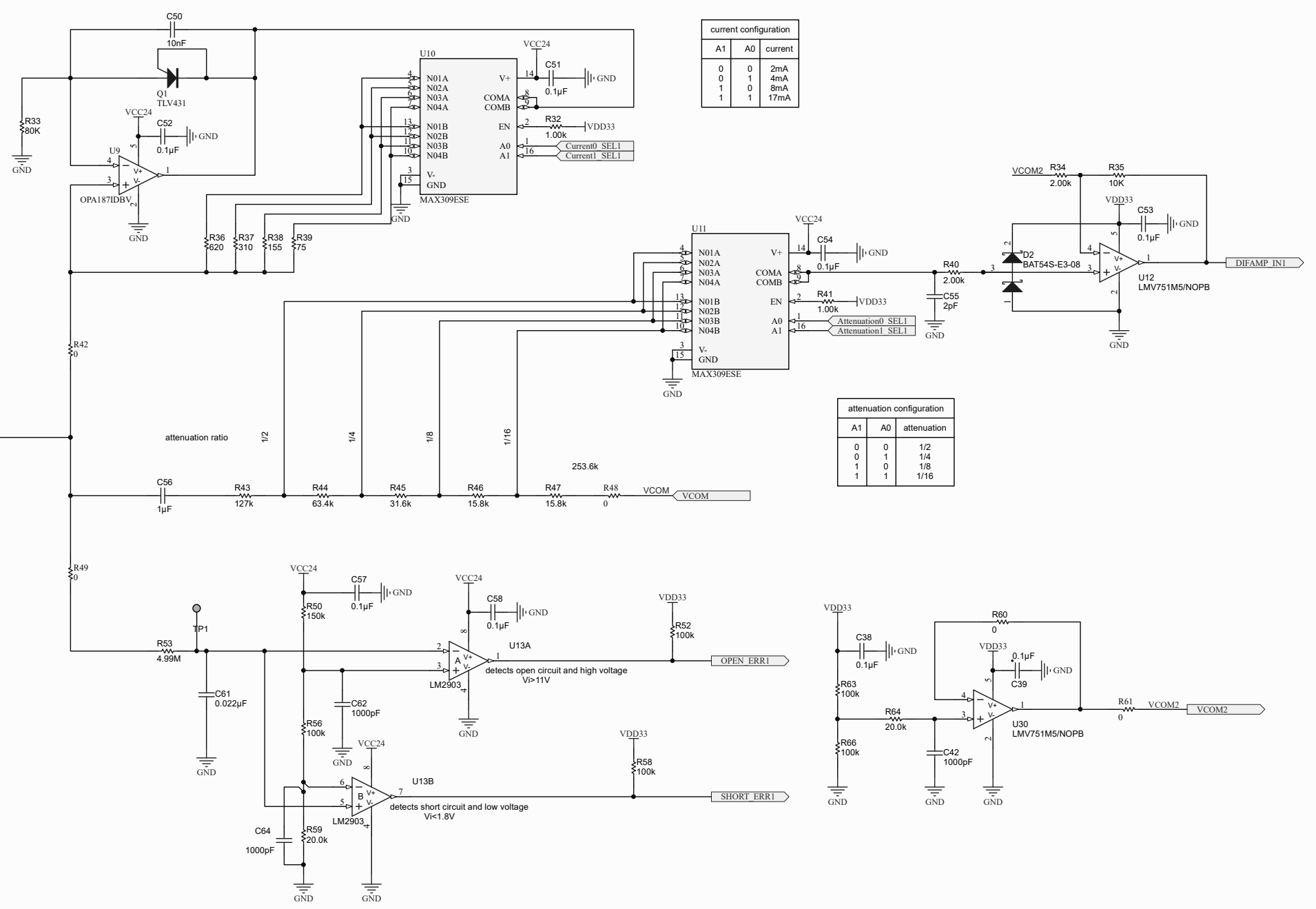


Connector to STM32F767 board

Title		
Size A4	Number	Revision
Date:	2020/3/12 星期四	Sheet of
File:	C:\Users\...\P01 Connectors.SchDoc	Drawn By:



Title		
Size	Number	Revision
A3		
Date:	2020/3/12 星期四	Sheet of
File:	C:\Users\...\P02_ADC.SchDoc	Drawn By:



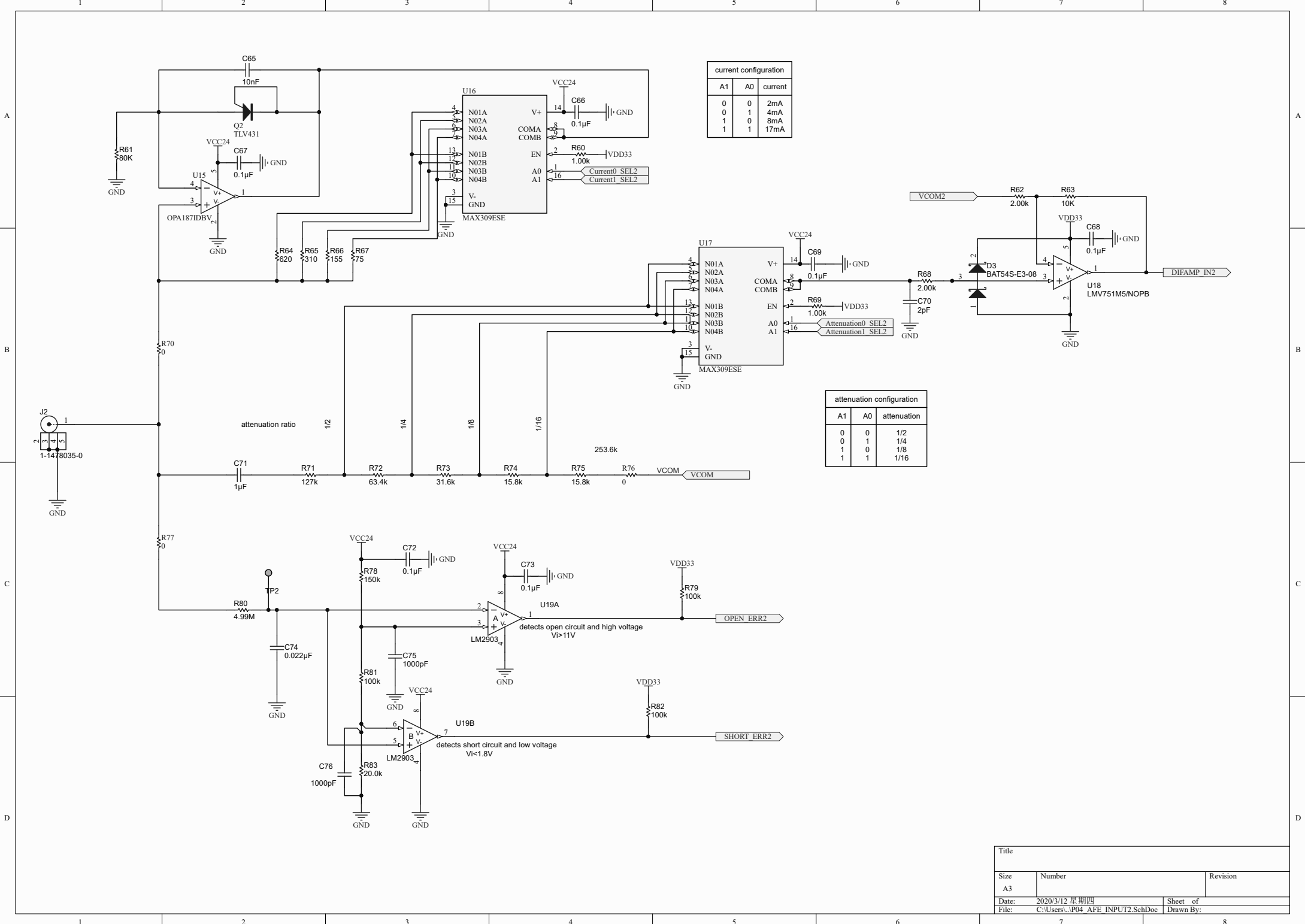
current configuration

A1	A0	current
0	0	2mA
0	1	4mA
1	0	8mA
1	1	17mA

attenuation configuration

A1	A0	attenuation
0	0	1/2
0	1	1/4
1	0	1/8
1	1	1/16

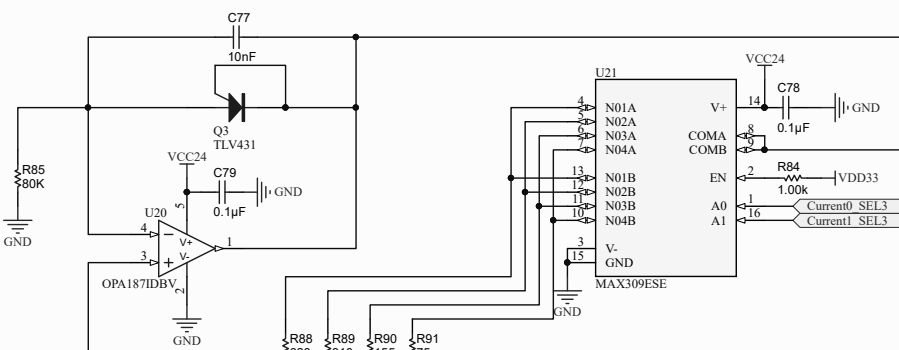
Title		
Size	Number	Revision
A3		
Date:	2020/3/12 星期四	Sheet of
File:	C:\Users\...P03_AFE_INPUT1.SchDoc	Drawn By:



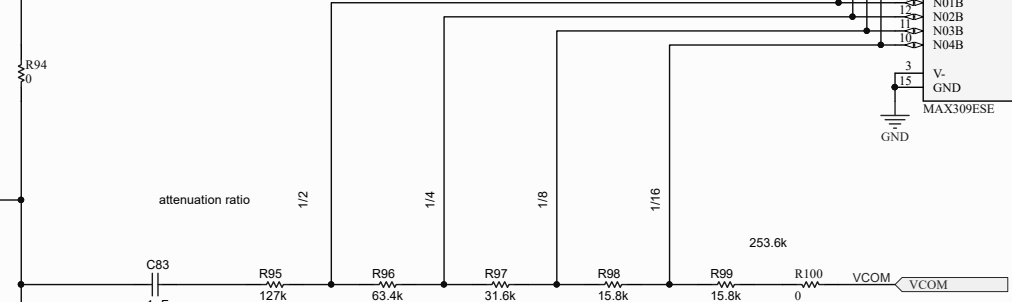
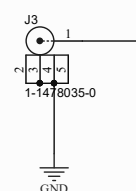
current configuration		
A1	A0	current
0	0	2mA
0	1	4mA
1	0	8mA
1	1	17mA

attenuation configuration		
A1	A0	attenuation
0	0	1/2
0	1	1/4
1	0	1/8
1	1	1/16

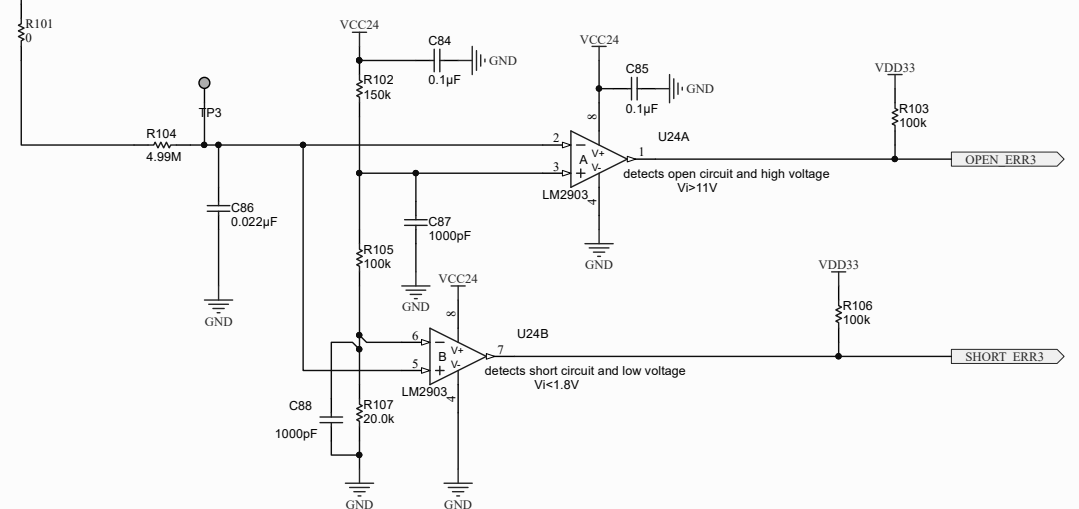
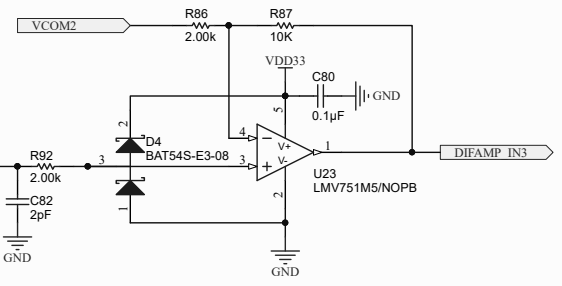
Title		
Size	Number	Revision
A3		
Date:	2020/3/12 星期四	Sheet of
File:	C:\Users\...P04_AFE_INPUT2.SchDoc	Drawn By:



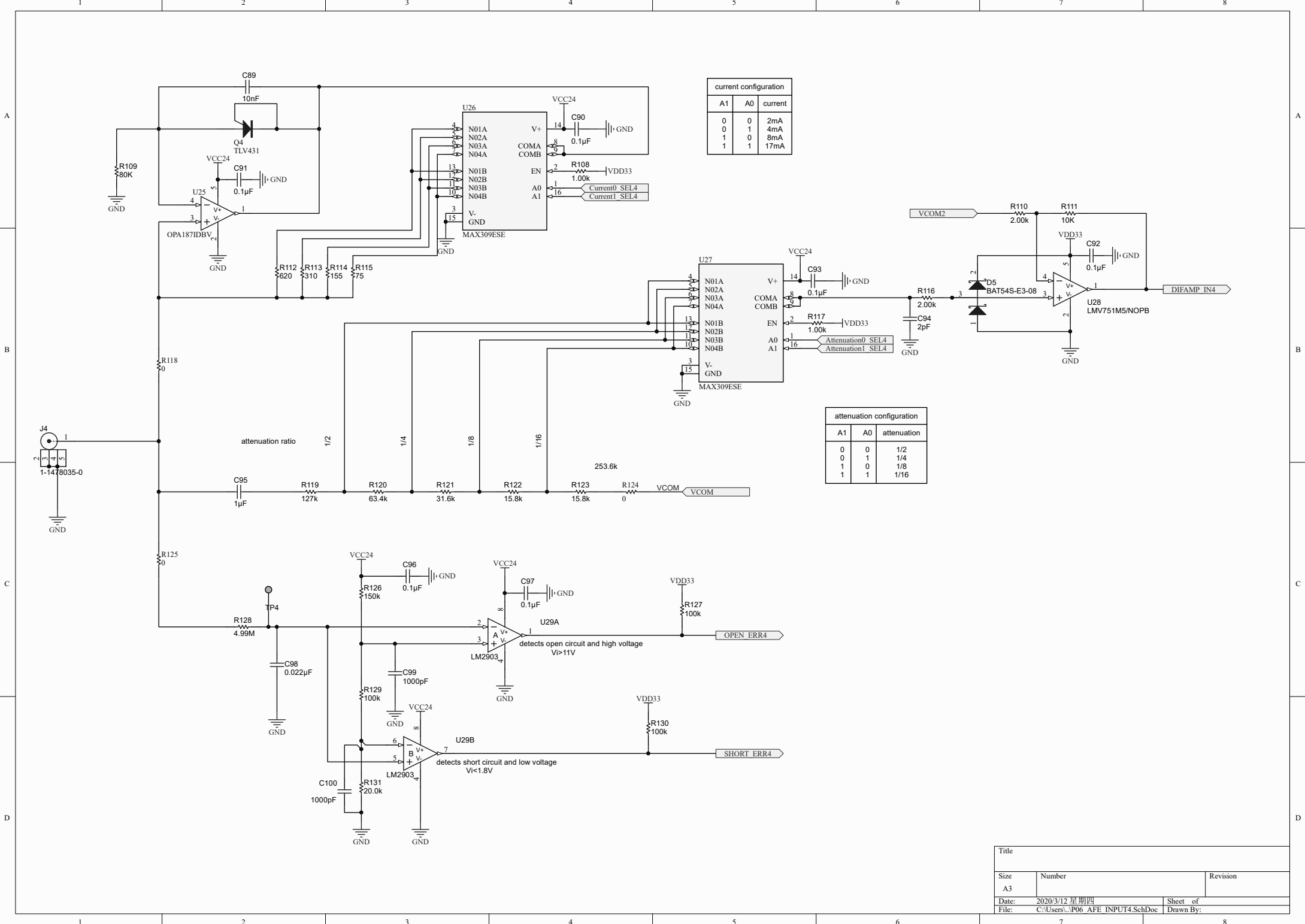
current configuration		
A1	A0	current
0	0	2mA
0	1	4mA
1	0	8mA
1	1	17mA



attenuation configuration		
A1	A0	attenuation
0	0	1/2
0	1	1/4
1	0	1/8
1	1	1/16



Title		
Size	Number	Revision
A3		
Date:	2020/3/12 星期四	Sheet of
File:	C:\Users\...P05_AFE_INPUT3.SchDoc	Drawn By:



current configuration		
A1	A0	current
0	0	2mA
0	1	4mA
1	0	8mA
1	1	17mA

attenuation configuration		
A1	A0	attenuation
0	0	1/2
0	1	1/4
1	0	1/8
1	1	1/16

Title		
Size	Number	Revision
A3		
Date:	2020/3/12 星期四	Sheet of
File:	C:\Users\...\P06_AFE_INPUT4.SchDoc	Drawn By: