

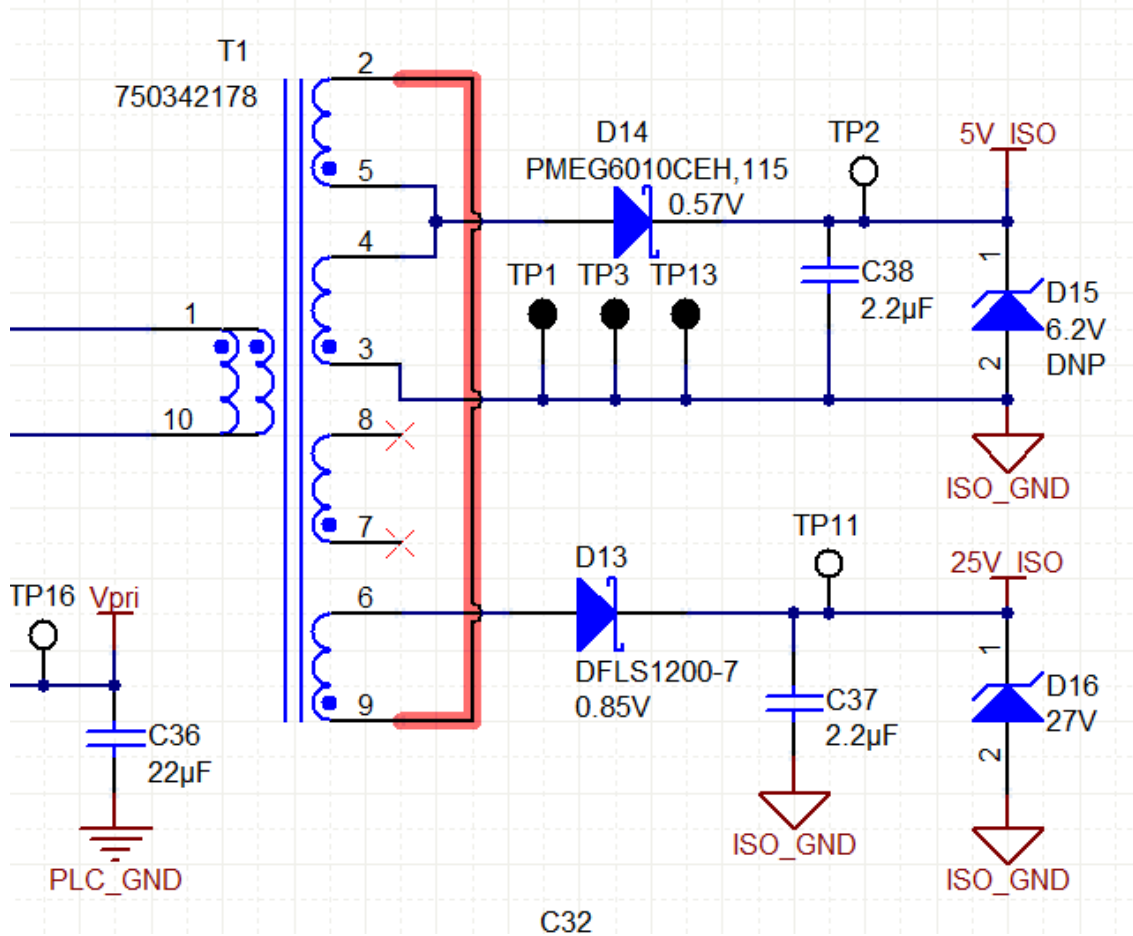
**Observation Schematic Vs Layout changes.**

- **Design Source:** Reference Design **DI board\_tidc249b** Download from TI Website.

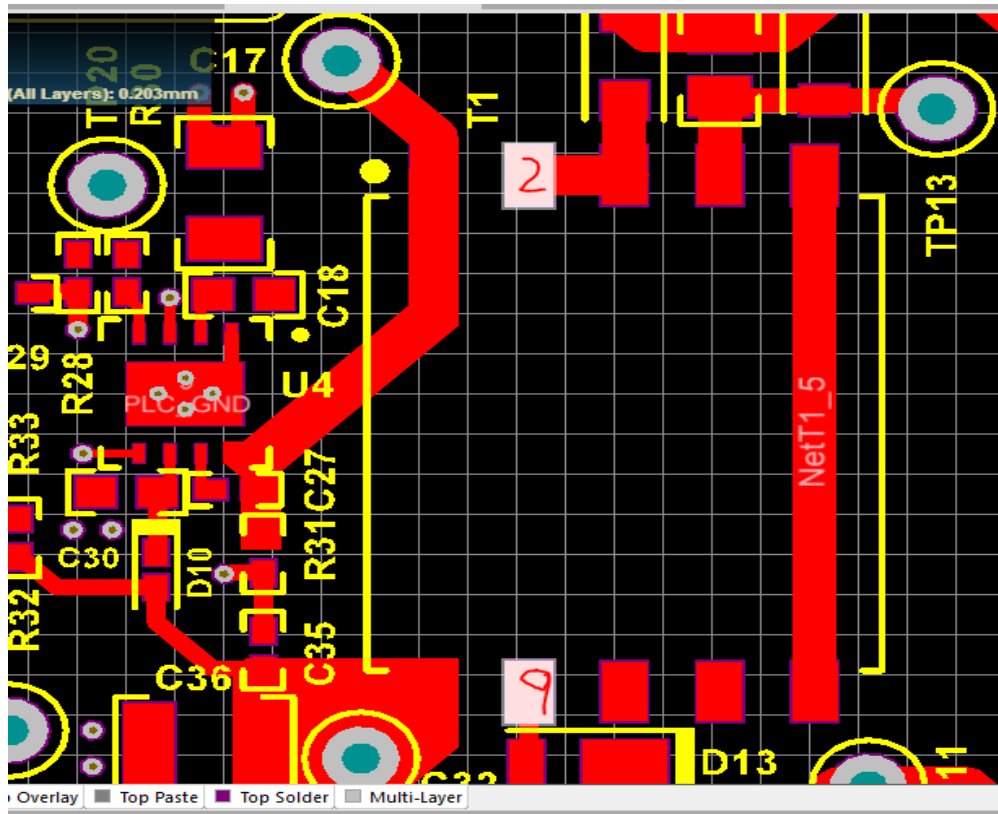
		Designed for: Public Release	Mod. Date: 28-12-2013		
		Project Title: PLC Digital Input Card			
Number: SAT0060	Rev: E3	Sheet Title:			
SVN Rev: Not in version control	Assembly Variant: [No Variations]		Sheet: 1 of 1		
Drawn By:	File: SAT0060 Cover Sheet.SchDoc		Size: B		
Engineer: Evan Cornell	Contact: <a href="http://www.ti.com/support">http://www.ti.com/support</a>		<a href="http://www.ti.com">http://www.ti.com</a>		
		© Texas Instruments 2013			
5			6		

**Observation 1)**

In the Reference design Schematic sheet 1: T1 (Path no : 750342178) Pin no 2 and 9<sup>th</sup> pins are connected each other as shown in the below image.

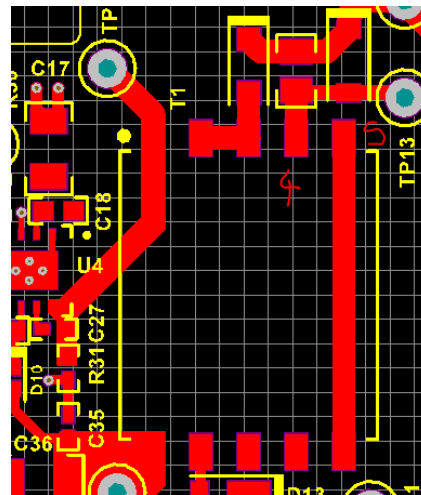
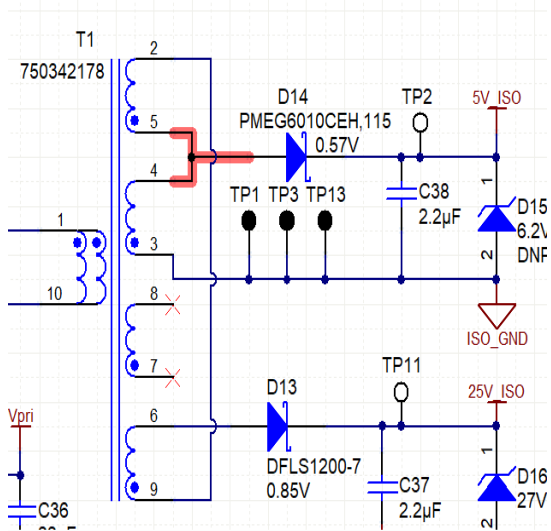


- This Connection is not implement in the PCB please refer the below image



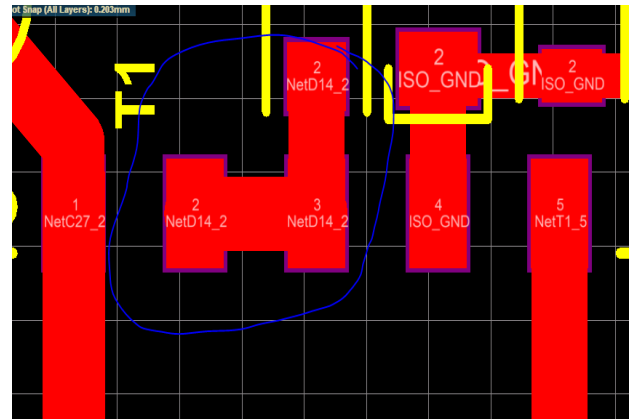
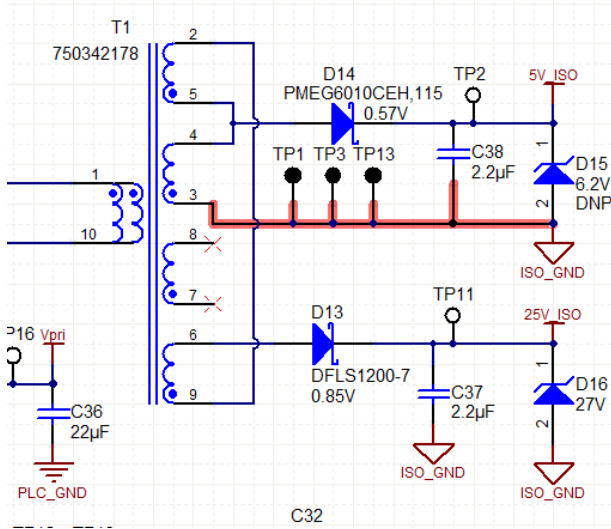
**Observation 2)**

T1 Pin 5 and 4 are short and its connected to D14 and this not implemented in the PCB.



### Observation 3)

In the Schematic T1 part Pin no 3 is connected to the ISO GND but in the PCB its not connected.



### Observation 4)

In the Schematic T1 part Pin no 6 is connected to the Diode D13 but in the PCB its not connected.

