

Revision History				
Rev	ECN #	Approved Date	Approved by	Notes
N/A	N/A	N/A	N/A	N/A

A

A

B

B


C

C

D

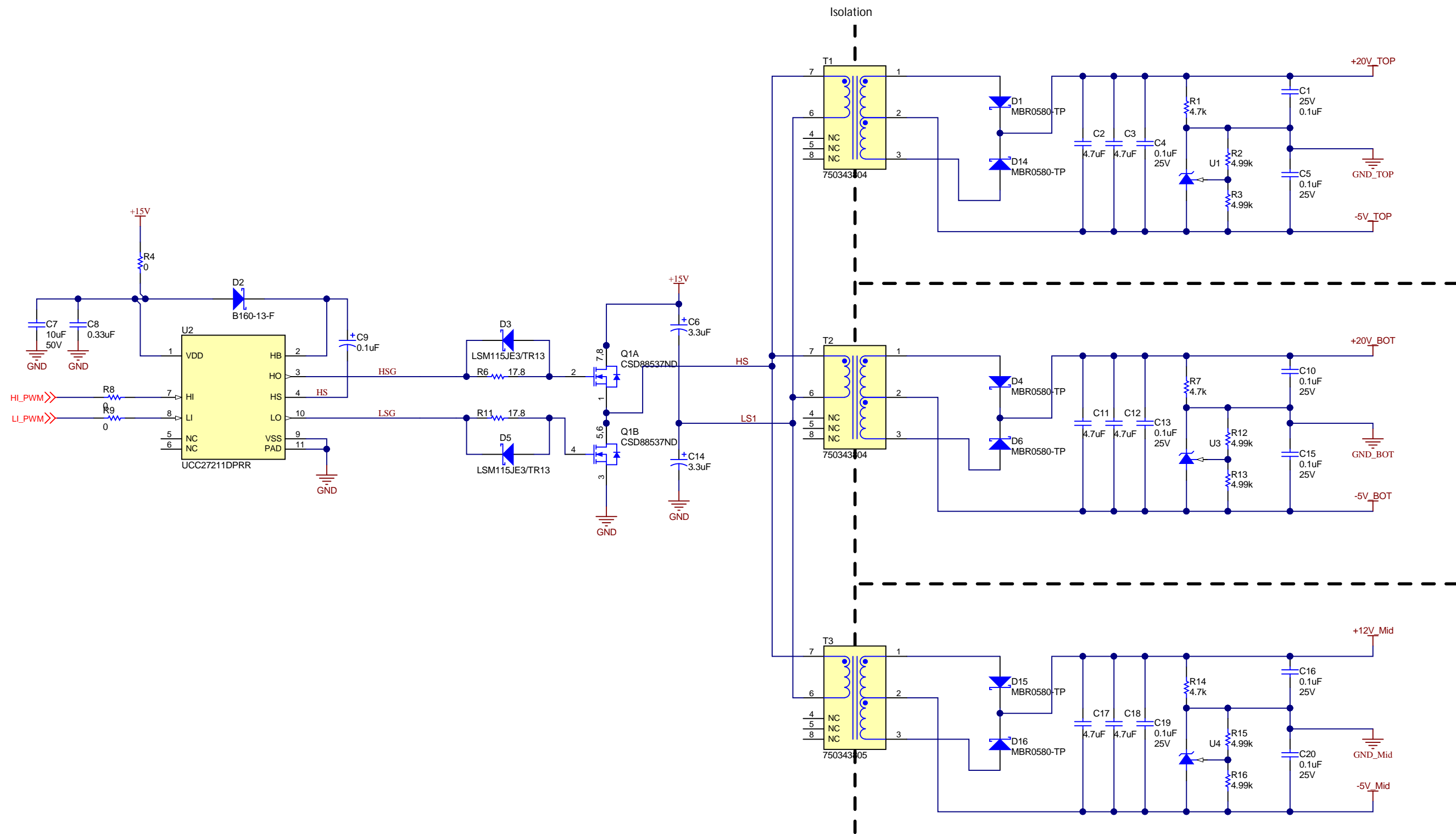
D

Texas Instruments and/or its licensors do not warrant the accuracy or completeness of this specification or any information contained therein. Texas Instruments and/or its licensors do not warrant that this design will meet the specifications, will be suitable for your application or fit for any particular purpose, or will operate in an implementation. Texas Instruments and/or its licensors do not warrant that the design is production worthy. You should completely validate and test your design implementation to confirm the system functionality for your application.

Orderable: NA	Designed for: Public Release	Mod. Date: 2/13/2018	 TEXAS INSTRUMENTS <a href="http://www.ti.com">http://www.ti.com</a> © Texas Instruments 2018
TID #: TIDA-01606	Project Title: 10kW Inverter Gate Driver		
Number: TIDA-01606_GateDriver4	Sheet Title:		
SVN Rev: Not in version control	Assembly Variant: 001	Sheet: 1 of 4	
Drawn By: Murali P	File: TIDA-01606E4_Gate Driver_CoverSheet_Pg1.Sds		
Engineer: Bart Basile	Contact: <a href="http://www.ti.com/support">http://www.ti.com/support</a>	Size: B	

Revision History

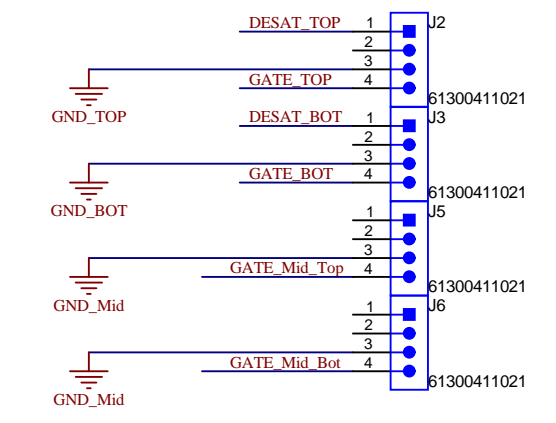
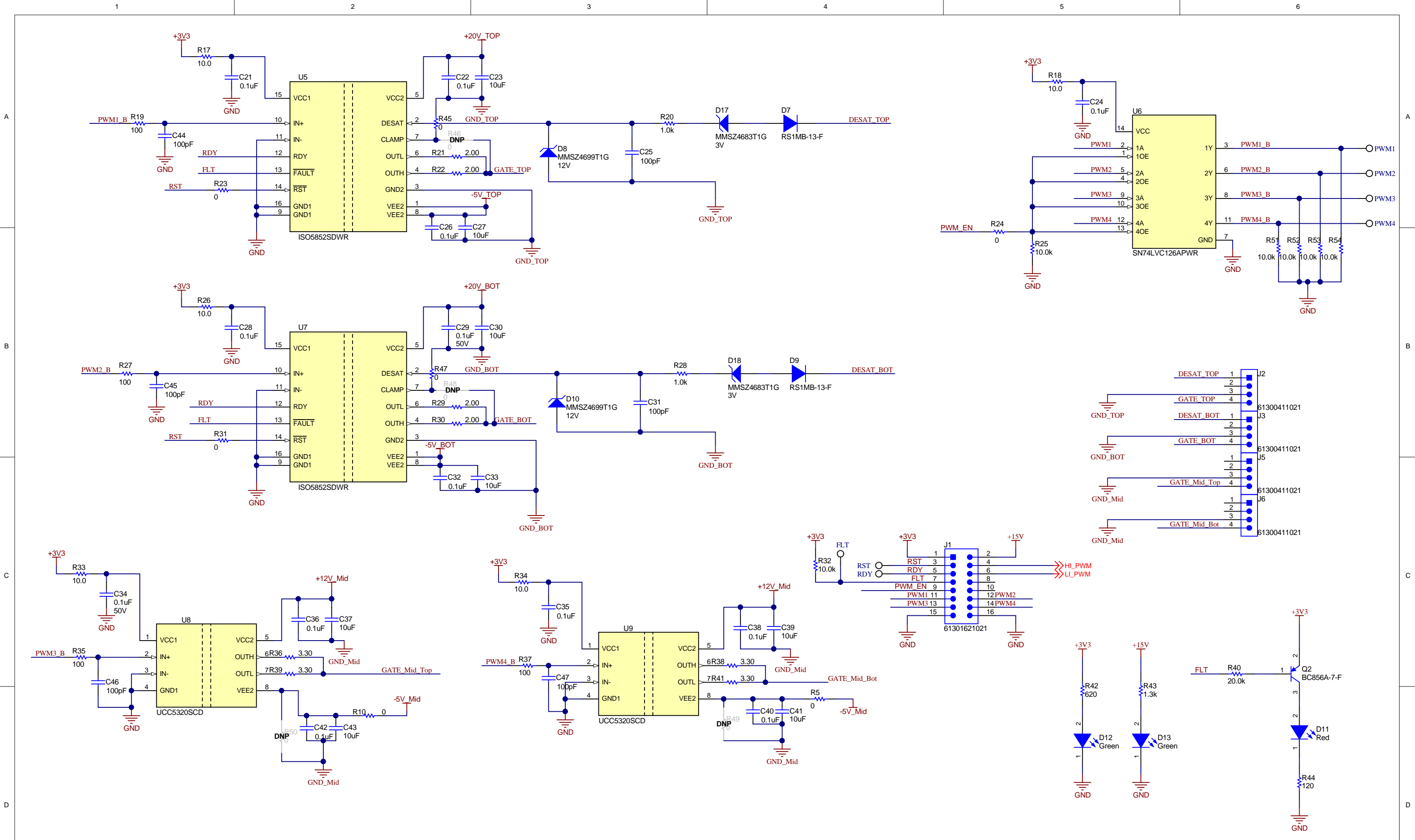
Rev	ECN #	Approved Date	Approved by	Notes
N/A	N/A	N/A	N/A	N/A



Texas Instruments and/or its licensors do not warrant the accuracy or completeness of this specification or any information contained therein. Texas Instruments and/or its licensors do not warrant that this design will meet the specifications, will be suitable for your application or fit for any particular purpose, or will operate in an implementation. Texas Instruments and/or its licensors do not warrant that the design is production worthy. You should completely validate and test your design implementation to confirm the system functionality for your application.

Orderable: NA	Designed for: Public Release	Mod. Date: 7/19/2018
TID #: TIDA-01606	Project Title: 10kW Inverter Gate Driver	
Number: TIDA-01606_GateDriver4	Sheet Title:	
SVN Rev: Not in version control	Assembly Variant: 001	Sheet: 2 of 4
Drawn By: Murali P	File: TIDA-01606E4_Gate_Driver_Gate_Drive_power_supply_P2.SchDoc	http://www.ti.com
Engineer: Bart Basile	Contact: http://www.ti.com/support	© Texas Instruments 2018





Orderable: NA	Designed for: Public Release	Mod. Date: 12/13/2018
TID #: TIDA-01606	Project Title: 10kW Inverter Gate Driver	
Number: TIDA-01606_GateDriver4	Sheet Title:	
SVN Rev: Not in version control	Assembly Variant: 001	Sheet: 3 of 4
Drawn By: Murali P	File: TIDA-01606E4_Gate Driver_Isolated Gate Driver_SchDoc	http://www.ti.com
Engineer: Bart Basile	Contact: http://www.ti.com/support	© Texas Instruments 2018

Texas Instruments and/or its licensors do not warrant the accuracy or completeness of this specification or any information contained therein. Texas Instruments and/or its licensors do not warrant that this design will meet the specifications, will be suitable for your application or fit for any particular purpose, or will operate in an implementation. Texas Instruments and/or its licensors do not warrant that the design is production worthy. You should completely validate and test your design implementation to confirm the system functionality for your application.

**DNP**  
FID1

**DNP**  
FID2

**DNP**  
FID3

PCB Number: TIDA-01606\_Gate Driver  
PCB Rev: E4

PCB LOGO  
Pb-Free Symbol

PCB LOGO  
FCC disclaimer

PCB LOGO  
WEEE logo

Variant/Label Table	
Variant	Label Text
001	ChangeMe!
002	ChangeMe!

LBL1  
PCB Label  
THT-14-423-10

ZZ1  
Label Assembly Note  
This Assembly Note is for PCB labels only

ZZ2  
Assembly Note  
These assemblies are ESD sensitive, ESD precautions shall be observed.

ZZ3  
Assembly Note  
These assemblies must be clean and free from flux and all contaminants. Use of no clean flux is not acceptable.

ZZ4  
Assembly Note  
These assemblies must comply with workmanship standards IPC-A-610 Class 2, unless otherwise specified.