

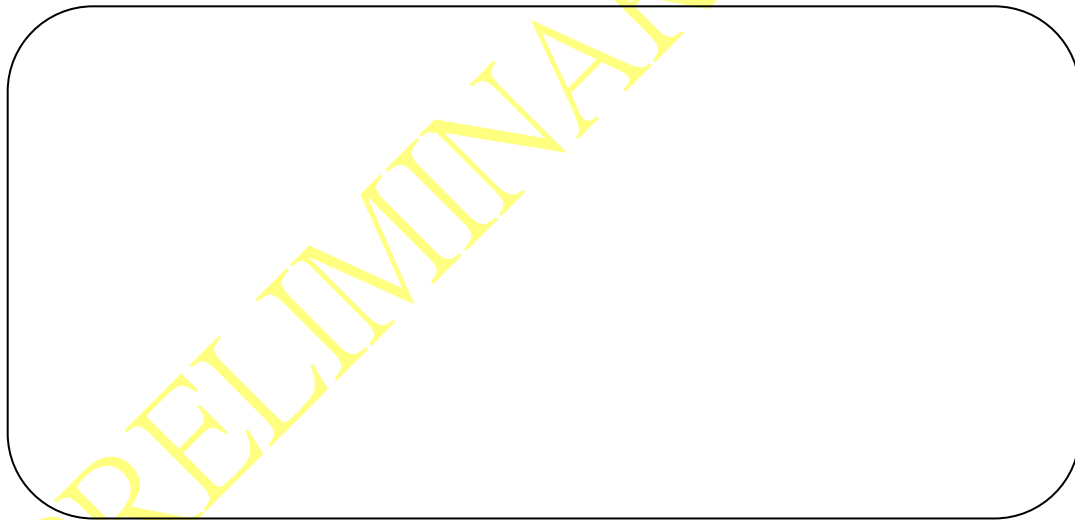
To Texas Instrument

Date of Issue: Nov.03, 2020



Delivery Specifications

Product Description	:	Coupled PFC
Cyntec Part No.	:	VI-20174A
Customer Part No.	:	
Customer Issue No.	:	
Issued No.	:	A1



- “Changes in the description of Delivery Specifications” and “changes that affect performance, quality or environment” are implemented according to advance consultation.

REPORTED BY	DRAFTED BY	CHECKED BY		APPROVED BY
<i>chiakao.yang</i>	<i>Chris Hsiao</i>	<i>Nelson</i>	<i>Evans.Chen</i>	<i>Asiel</i>

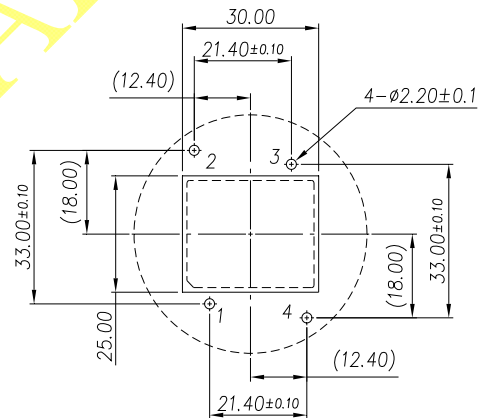
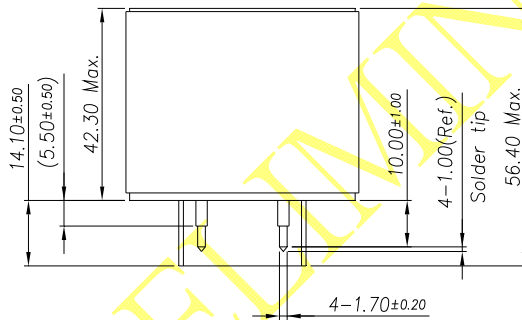
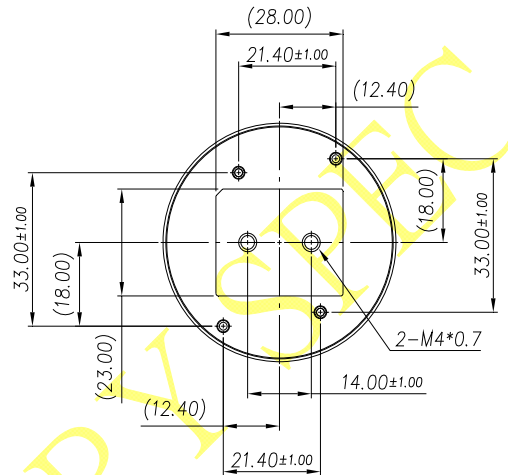
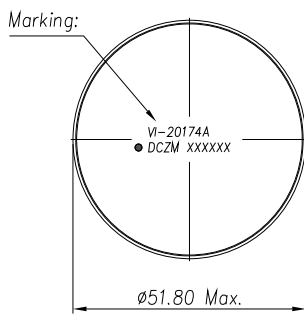
1. Mechanical Dimensions & Schematic:

1-1. Mechanical Dimensions: (Unit: mm)

Plant

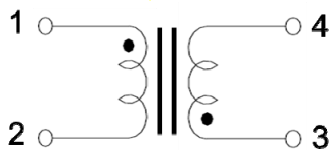
DCZM: Chenzhou plant

XXXXXX
 W/O No.
 Week
 Year



Recommended PCB Layout
 (View from component side)

1-2. Schematic:



REPORTED BY	DRAFTED BY	CHECKED BY	APPROVED BY
chiakao.yang	Chris Hsiao	Wenhan	Evans.Chen
			Hsiao

2. Electrical Characteristics:

Item	Test Terminal	Specification	Test Instrument
Inductance @100kHz, 1V, 25°C	L(1-2) @0A	77μH Typ.	HP 4284A Precision LCR meter or equivalent.
	L(3-4) @0A	77μH Typ.	
	L(1-3) @22.4A, 2-4 shorted	42μH Typ.	
DC Resistance @25°C	1-2	12mΩ Typ.	Keithley 580 Micro-Ohmmeter or equivalent.
	3-4	12mΩ Typ.	
Hi-Pot Test @5mA	WDG. to AL Housing	2000Vdc/60s	Zentech 9053 Programmable auto safety tester or equivalent.