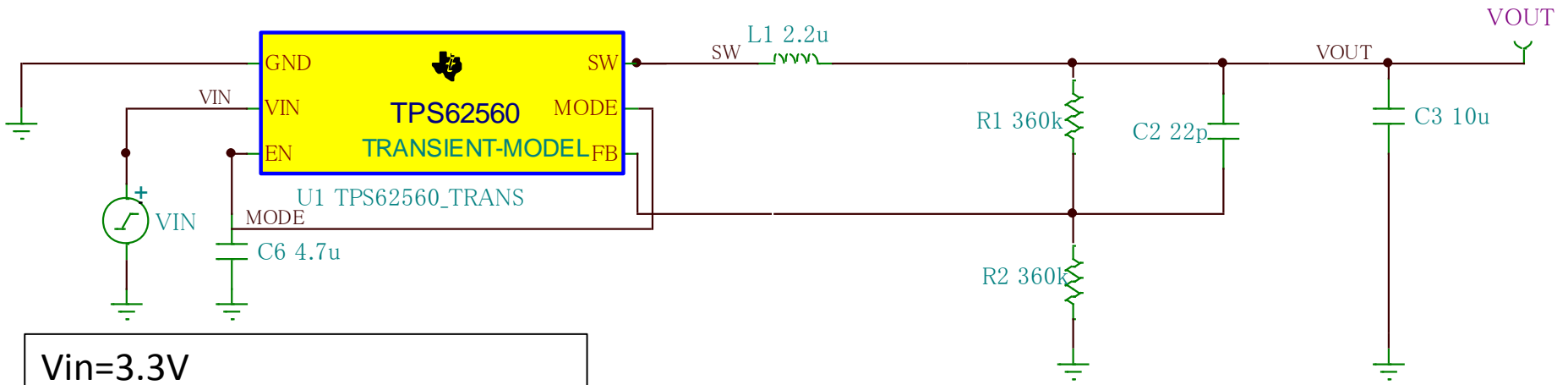
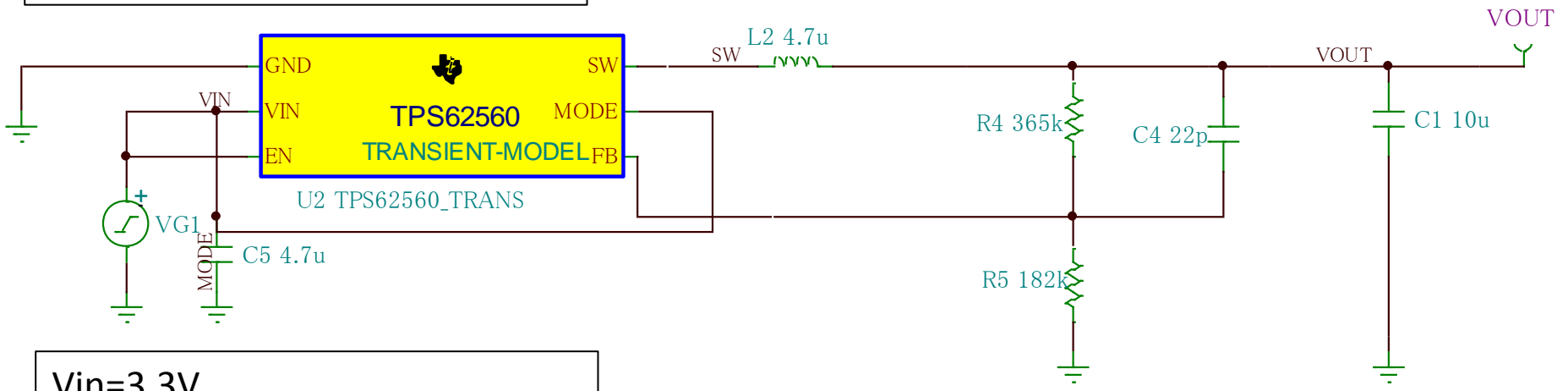


Vin=5V to 12V  
 Iout(max)=0.2A  
 Vout=3.3V



**Vin=3.3V**  
**Iout(max) ≐ 0.3A**  
**Vout=1.2V**



**Vin=3.3V**  
**Iout(max) ≐ 0.3A**  
**Vout=1.8V**