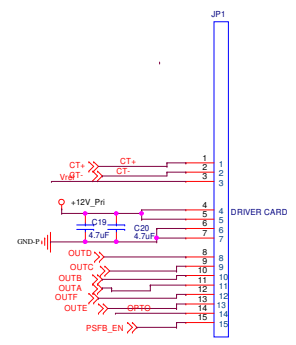
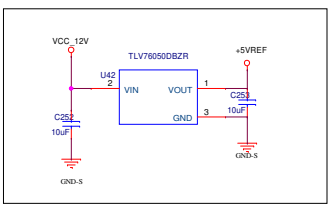
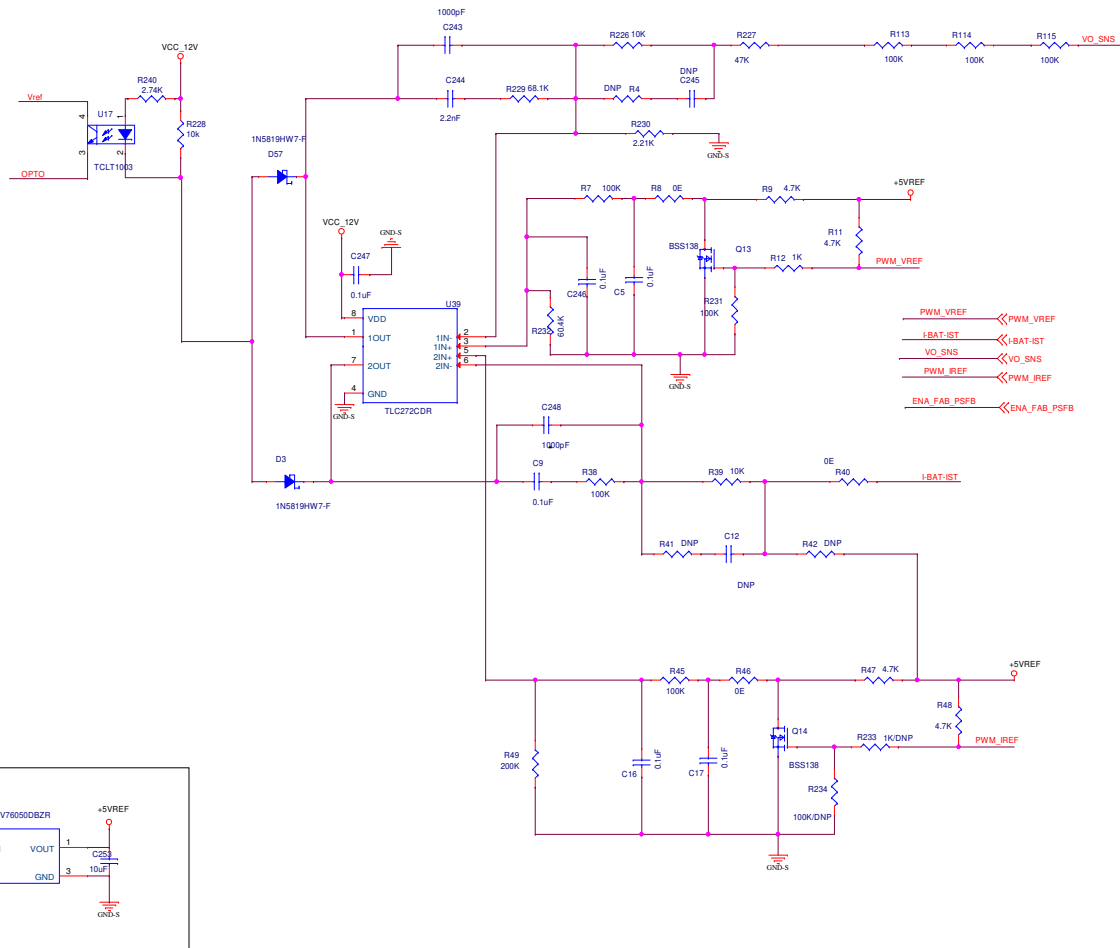


Voltage and Current feedback section



File	<Title>	Rev	<Rev Code>
Size	Document Number		
C	<Doc>		
Date:	Tuesday, March 28, 2024	Sheet	1 of 1