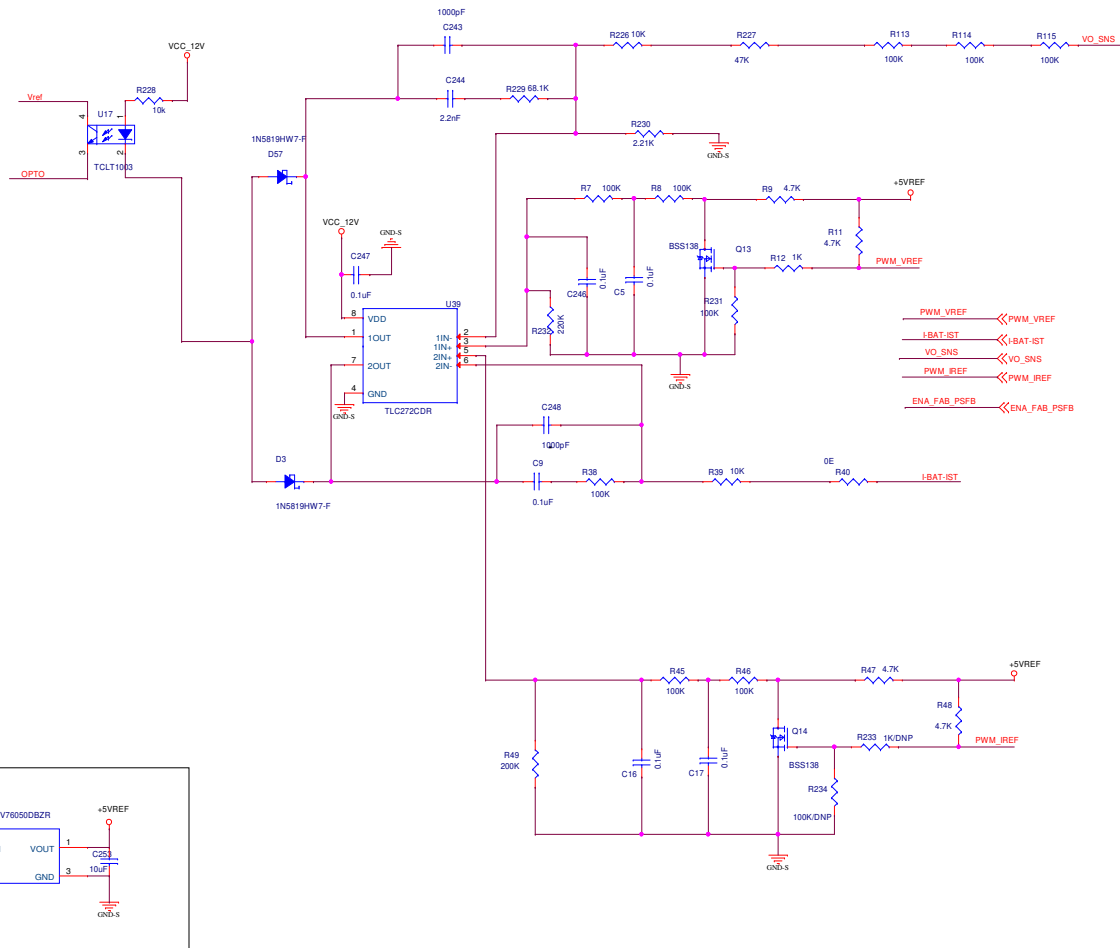
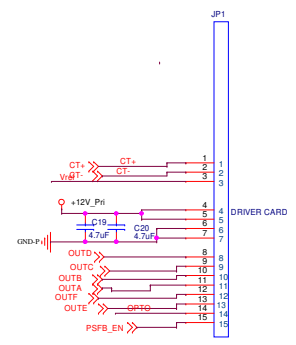
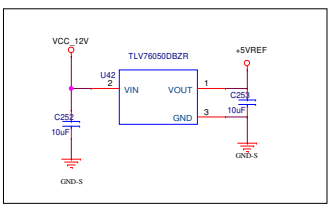


Voltage and Current feedback section



- PWM_VREF << PWM_VREF
- IBAT-IST << IBAT-IST
- VO_SNS << VO_SNS
- PWM_IREF << PWM_IREF
- ENA_FAB_PSF << ENA_FAB_PSF



File	<Title>	Rev	<Rev Code>
Size	Document Number		
C	<Doc>		
Date:	Tuesday, March 26, 2024	Sheet	1 of 1