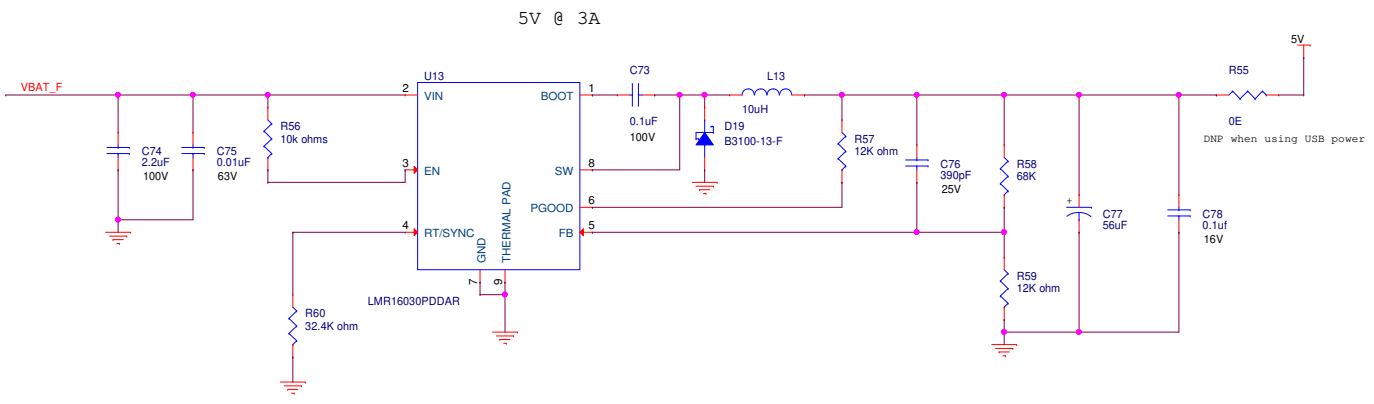
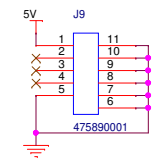


<Variant Name>

Title		mTIC	
Size	Document Number	Rev	
B	AT06-002-05-03-00-02-00	2	
Date:	Friday, March 12, 2021	Sheet	9 of 12

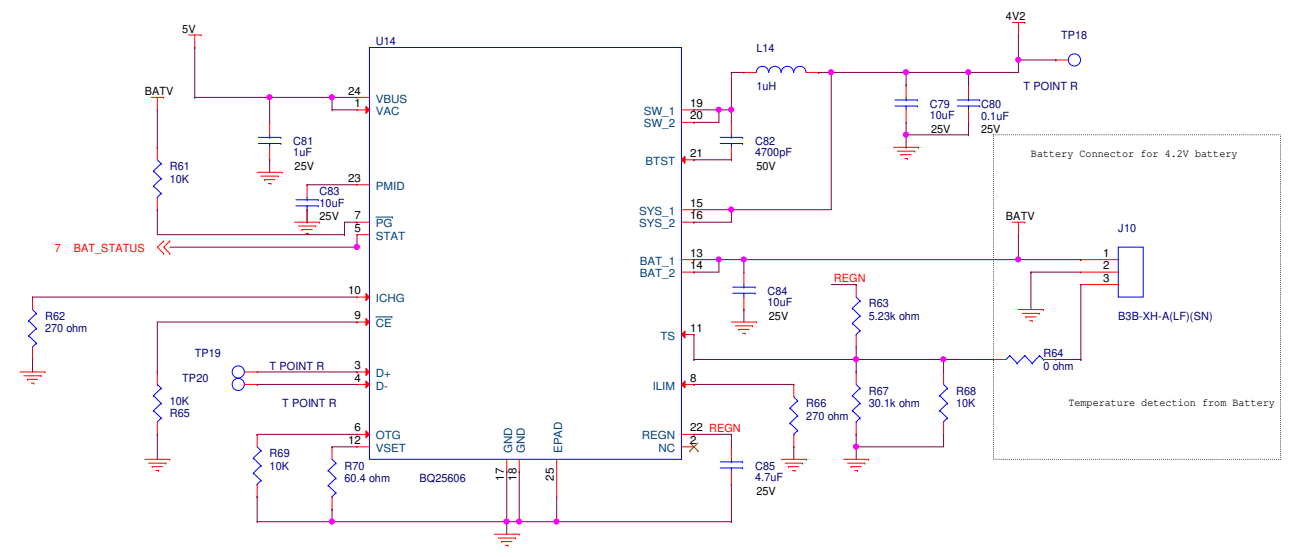


USB CONNECTOR FOR POWER



Title		
iTIC		
Size	Document Number	Rev
B	AT06-002-03-03-00-01-00	1
Date:	Friday, March 12, 2021	Sheet 10 of 12

4.2V BATTERY CHARGING CIRCUIT



<Variant Name>			
Title			
mTIC			
Size	Document Number		Rev
B	AT06-002-05-03-00-02-00		2
Date:	Friday, March 12, 2021	Sheet	11 of 12