

Signal conditioning for piezoelectric sensors

By Eduardo Bartolome

Systems Engineer, Medical Business Unit

Introduction

This article explains some of the principles of signal conditioning. Piezoelectric sensors have been chosen to illustrate these principles because their conditioning requires a mix of traditional tools and because they present some challenges that may not arise with other types of sensors.

Piezoelectric sensors

The application of piezoelectric transducers for sensing and actuation extends to many fields. This article focuses on the sensing of a group of physical magnitudes—acceleration, vibration, shock, and pressure—that from the perspective of the sensor and its required signal conditioning can be considered similar.¹ In the case of acceleration, sensor sensitivity is usually expressed as a charge proportional to an external force or acceleration (many times described as gravitational acceleration, g). Nevertheless, in the strict physical sense, the sensor outputs a charge that is actually a function of its deformation/deflection.

For instance, Figure 1 shows a sensor fixed on the top while the bottom is being pulled by an external force, F_{ext} . In the case of an accelerometer, the fixed extreme (top) could be attached to the object whose acceleration is going to be measured, and the external force would be the inertia of a mass attached to the other extreme (bottom) that is trying to stay still. For the reference coordinate system fixed on the top extreme (assuming that the sensor is acting as a spring with a very high spring constant, K), the deflection x will create an opposing force of

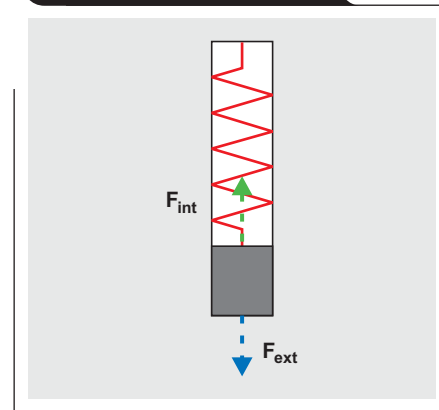
$$F_{int} = Kx. \tag{1}$$

Eventually, the mass (the deflection of the sensor) will stop moving/changing at

$$F_{int} = F_{ext} = Kx. \tag{2}$$

Since the charge, Q , is (to first order) proportional to deflection, and deflection is proportional to force, Q is proportional to force. Applying a sinusoidal force with a maximum F_{max} will create a sinusoidal charge with a maximum Q_{max} . In other words, integrating the current coming from the sensor will yield Q_{max} when the sinusoidal force is at its maximum. Increasing the frequency of the sinusoid will increase the current; but the peak will be reached faster, i.e., keeping the integral (Q_{max}) constant. The manufacturer will provide the specification for sensitivity as the ratio of Q_{max} to F_{max} in the usable frequency range of the sensor. Nevertheless, due to the mechanical properties of the sensor, the sensor actually has a resonant frequency (above the usable frequency range) where even a small

Figure 1. Sensor under acceleration

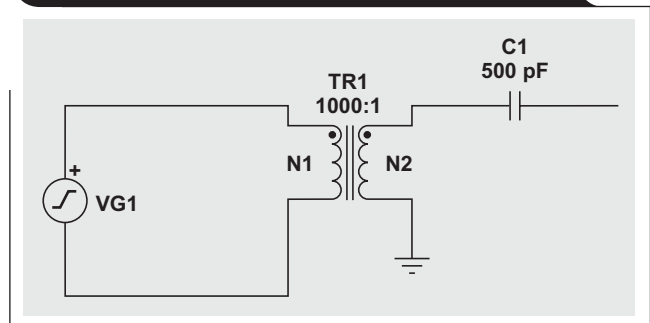


oscillatory force will produce relatively large displacements and therefore large output amplitudes.

If the effects of the resonance are ignored, piezoelectric sensors can be modeled to first order as a current source in parallel with the sensor's parasitic capacitance, here referred to as C_d , or they can be modeled as a voltage source in series with C_d . This voltage is the equivalent voltage that would be seen on the plates of the sensor if the charge was just stored on them. Notice, nevertheless, that for the simulation of many applications, the second approach is more straightforward. As explained earlier, the current is proportional to the rate of change of deflection; so, for instance, for a sinusoidal AC sweep of accelerations with constant amplitude, the amplitude of the current generator would have to be changed depending on the frequency.

Finally, if the generator needs to represent the actual physical signal, a transformer can be used, as illustrated in Figure 2. In this example, a generator with a sensitivity of

Figure 2. Piezoelectric sensor model



0.5 pC/g and a parasitic capacitance of 500 pF is modeled. The sinusoidal generator outputs 1 V for every unit of g to be simulated. The transformer scales that down to 1 mV on its secondary. A 1-mV swing applied to C1 (500 pF) would inject $Q = VC = 0.5$ pC on the next stage, as expected.

Analysis of the charge amplifier

Figure 3 shows the basic schematic of a classical charge amplifier that can be used as a signal-conditioning circuit. In this case, the current-source model was chosen to show that the sensor is mainly a device with high output impedance.

Input impedance

A signal-conditioning circuit must have very low input impedance to collect most of the charge output by the sensor. Thus, the charge amplifier is the ideal solution since its input presents a virtual ground to the sensor signal as long as the amplifier maintains high gain at those signal frequencies. In other words, if any charge coming from the sensor tries to build up on the plates of the sensor (C_d) or on the input parasitic capacitance of the amplifier (C_a), a voltage will be created across the input of the amplifier. This voltage will be immediately compensated for and nulled by pulling or sourcing the same amount of charge current through the negative feedback network, R_{FB} and C_{FB} .

Gain

Since the amplifier's signal input is a virtual ground, the input current creates an output-voltage swing; and the high-frequency gain is set by the value of C_{FB} (discounting the effect of R_{FB} , described next under "Bandwidth"). Notice that the smaller the capacitor is, the bigger the gain. An approximation for gain is

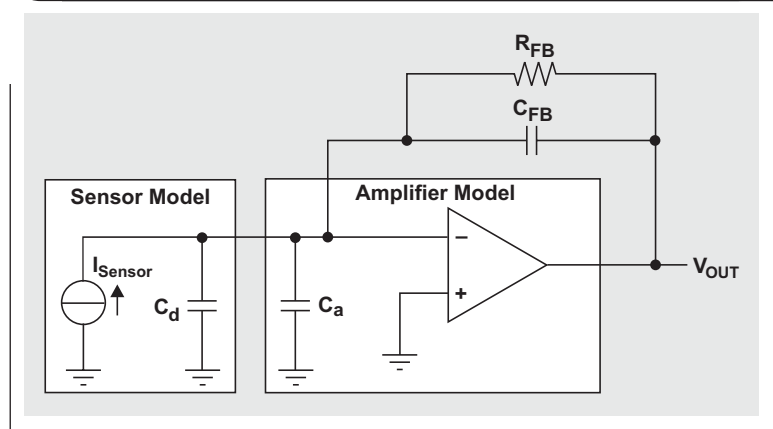
$$\text{Gain} = \frac{1}{C_{FB}} \text{ (mV/C)}. \quad (3)$$

Also notice that the gain of the circuit ultimately does not depend on the sensor's capacitance (C_d), although it is advisable to pay attention to this value's effect on noise.

Bandwidth

In order to bias the amplifier properly (offer a DC path for the input bias current of the amplifier), a feedback resistor (R_f) is necessary. At lower frequencies, the capacitive circuit in the feedback path becomes open and the feedback resistance becomes dominant, effectively reducing the gain. At higher frequencies the impedance of the capacitive circuit becomes smaller, effectively eliminating the effect of the resistive feedback path. The final circuit

Figure 3. Charge amplifier used for signal conditioning



response, including the parasitic capacitor of the sensor, to an AC physical excitation, is that of a high-pass filter, with a pole at:

$$f_{HPF} = \frac{1}{2\pi R_{FB} C_{FB}}. \quad (4)$$

The signal bandwidth of interest is set by the application; so, as the capacitance is lowered to increase the gain, the resistance needs to be increased to keep the pole low. Increasing this resistance has consequences on other careabouts of the solution. Besides the effect on noise (described later under "Noise"), the higher the resistance is, the more difficult the practical implementation—from finding an off-the-shelf resistor to making sure that the trace-to-trace parasitic resistances on the PCB are much bigger than R_{FB} itself. For cases where the circuit specifications allow for the use of resistors on the order of a few hundred megohms, surface-mount resistors are readily available² and there are no requirements for advanced layout techniques (like using a guard band).

As mentioned before, another factor limiting the increase of the resistor value is the biasing of the circuit. The input bias current of the amplifier flows through this resistor and creates an output offset voltage. This can be minimized by choosing an amplifier with low input bias currents, such as a FET input amplifier. The input bias currents of this type of amplifier, usually below 100 pA, should be fine as long as the feedback resistor value is below 1 G Ω and the resulting offset can be filtered with AC coupling between the stages.

Note that, due to the difficulty of keeping the high-pass filter's pole low, it becomes increasingly difficult to use a piezoelectric sensor in near-DC applications (even if the leakage currents in the sensor itself are very small).

Although not a part of this amplification stage, a low-pass filter needs to be added at some point to reduce the circuit's response to unwanted signals at the sensor's resonant frequency and to reduce the overall digitized and aliased noise in the band of interest.

Noise

Finally, the signal-to-noise ratio (SNR) needs to be maximized. Performing a brief theoretical noise analysis before proceeding with the simulation will be helpful. Figure 4 shows the main noise sources in the charge amplifier. The output-noise spectral density can be expressed as

$$S_O(f) = I_{NA}^2 \times |Z_{FB}|^2 + E_A^2 \left| 1 + \frac{Z_{FB}}{1/(C_d + C_a)s} \right|^2 + E_{R_{FB}}^2 \left| \frac{1}{1 + R_{FB}C_{FB}s} \right|^2, \tag{5}$$

where

$$Z_{FB} = \frac{R_{FB}}{R_{FB}C_{FB}s + 1} \tag{6}$$

and $s = 2\pi fj$. Equation 5 is the classical noise solution for a charge amplifier. C_a is typically very small compared to C_d . So, Equation 5 can be simplified to

$$S_O(f) = I_{NA}^2 \left| \frac{R_{FB}}{R_{FB}C_{FB}s + 1} \right|^2 + E_A^2 \left| 1 + \frac{R_{FB}C_d s}{R_{FB}C_{FB}s + 1} \right|^2 + E_{R_{FB}}^2 \left| \frac{1}{R_{FB}C_{FB}s + 1} \right|^2. \tag{7}$$

In fact, the second term can be reduced even further if frequencies well above the high-pass filter's pole are considered:

$$S_O(f) = I_{NA}^2 \left| \frac{R_{FB}}{R_{FB}C_{FB}s + 1} \right|^2 + E_A^2 \left| 1 + \frac{C_d}{C_{FB}} \right|^2 + E_{R_{FB}}^2 \left| \frac{1}{R_{FB}C_{FB}s + 1} \right|^2 \tag{8}$$

Trends can be analyzed in several ways. The pole (the term $R_{FB}C_{FB}s + 1$) can be considered constant since increasing R_{FB} would require a reduced C_{FB} or vice versa. From that perspective, increasing R_{FB} would increase the three terms in Equation 8. The voltage noise corresponding to the first term would increase linearly with R_{FB} ; the voltage noise corresponding to the second term would also increase; and the voltage noise corresponding to the third term would increase as the square root of R_{FB} , since $E_{R_{FB}} = \sqrt{4kTR_{FB}}$, where k = Boltzmann's constant and

T = temperature in degrees Kelvin. Nevertheless, the gain would increase with R_{FB} as C_{FB} became smaller (see Equation 3). This increase of signal with R_{FB} will be similar to any increase of the first two noise terms in Equation 8, but bigger than the increase of the last noise term, therefore improving the overall SNR. The bottom line is to increase R_{FB} as much as practically possible. Another trend to notice is that a sensor with more parasitic capacitance is less desirable from the noise perspective.

Figure 4. Charge amplifier's noise sources

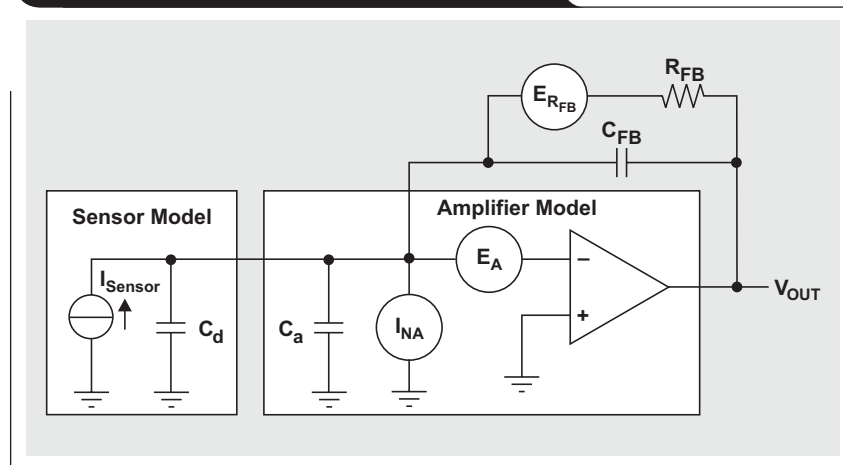
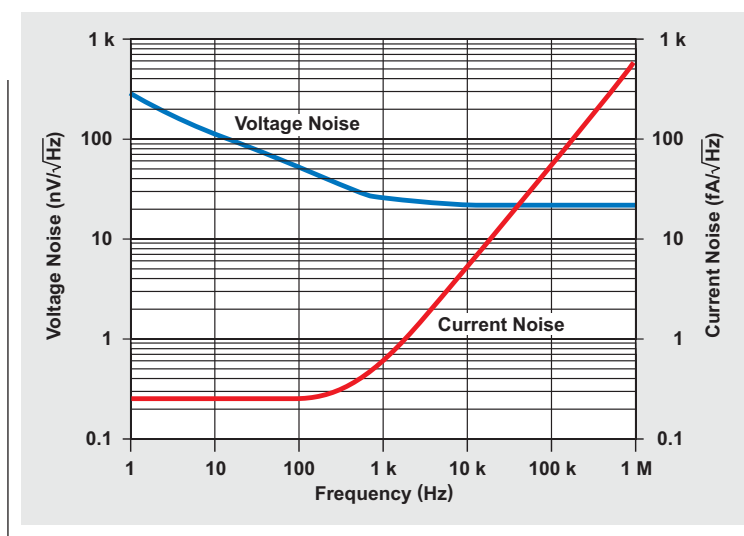


Figure 5. OPA337's input-voltage and input-current noise

Simulation results

For a more practical circuit implementation, the Texas Instruments (TI) OPA337 has been chosen. This amplifier offers low input-voltage and input-current noise (see Figure 5, taken from the data sheet³) while accepting a 3-V unipolar supply. Figure 6 shows a model of this circuit in TI's SPICE-based analog simulation program, TINA-TI™.

In this implementation, the pole is at 0.86 Hz. Equation 7 can be analyzed at 5 Hz just to double-check the accuracy of the formula:

- In the first term, if $I_{NA} \approx 0.01 \text{ fA}/\sqrt{\text{Hz}}$, and $R_{FB} = 270 \text{ M}\Omega$, this term's contribution to output noise is approximately $(2.7 \text{ nV}/\sqrt{\text{Hz}})/5.85 = 0.5 \text{ nV}/\sqrt{\text{Hz}}$.
- In the second term, if $E_A \approx 60 \text{ nV}/\sqrt{\text{Hz}}$, this term's contribution to output noise is approximately $120 \text{ nV}/\sqrt{\text{Hz}}$.
- In the third term, if $R_{FB} = 270 \text{ M}\Omega$, this term's contribution to output noise is approximately $(2 \text{ }\mu\text{V}/\sqrt{\text{Hz}})/5.85 = 340 \text{ nV}/\sqrt{\text{Hz}}$.

Adding all three terms together quadratically totals approximately $360 \text{ nV}/\sqrt{\text{Hz}}$, which is close to the simulation result in Figure 7. Notice, however, that the noise values used differ from the data-sheet values shown in Figure 5. The TINA-TI noise model

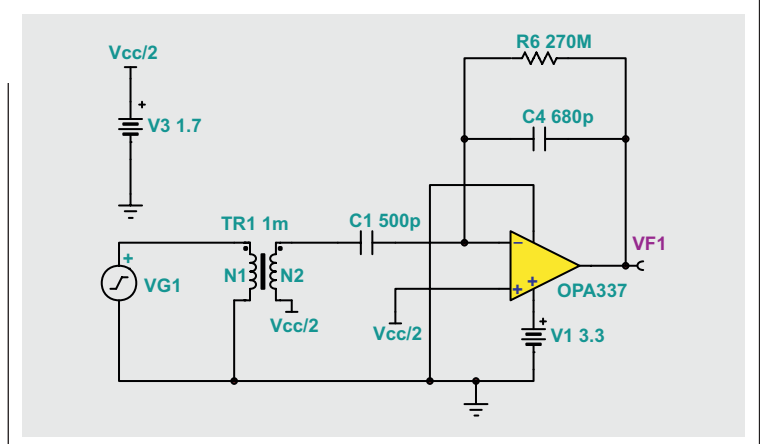
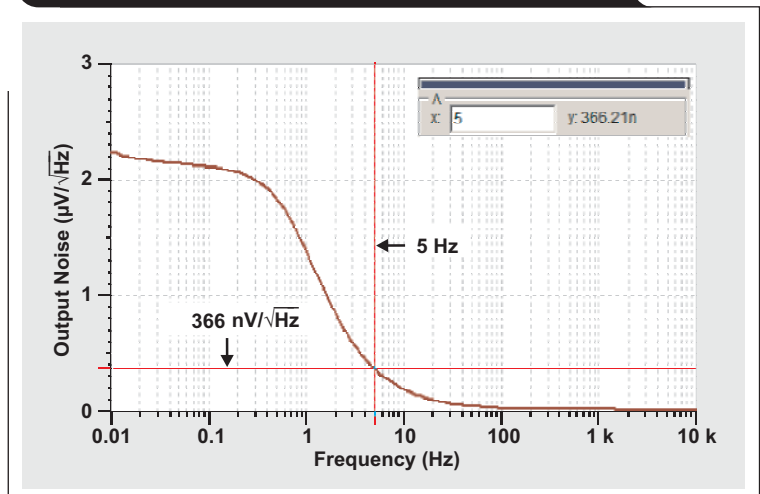
Figure 6. TINA-TI model of circuit using OPA337**Figure 7. Simulation of output noise from model in Figure 6**

Figure 8. TINA-TI simulation circuit for amplifier noise analysis

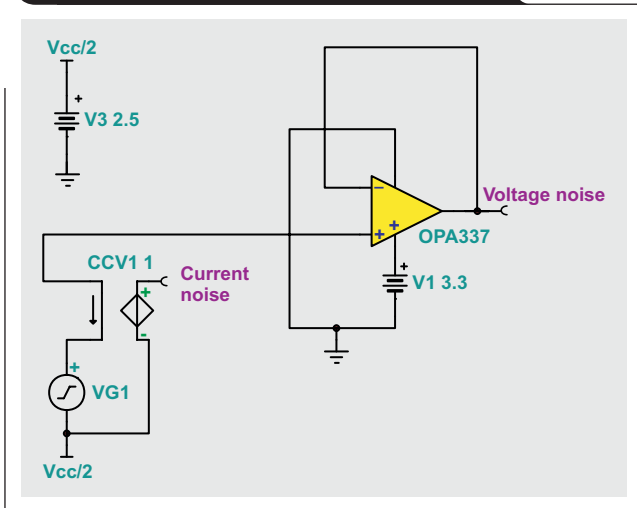
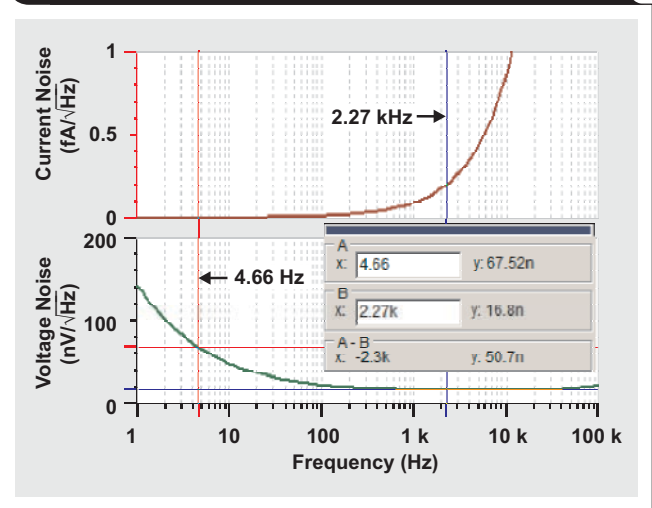


Figure 9. Simulation of output noise from circuit in Figure 8

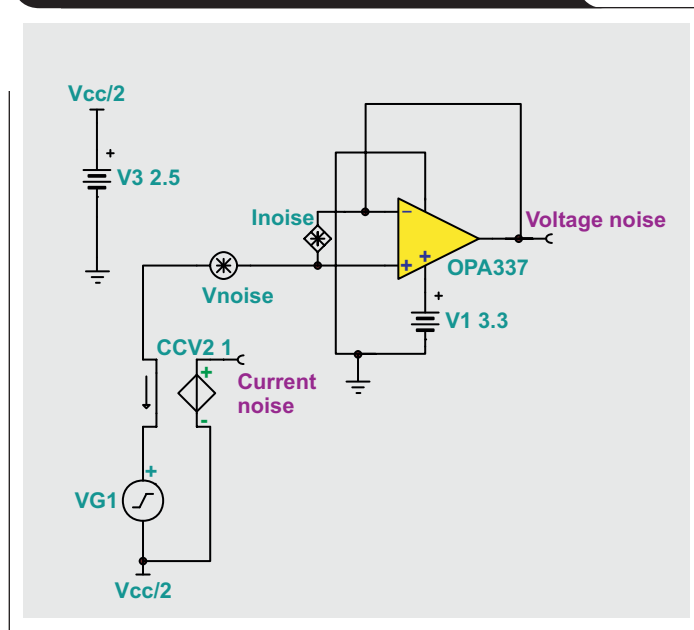


for the OPA337 is not accurate, as can be proven by simulating the simplified circuit in Figure 8 and obtaining the results in Figure 9 (which should have been the same as in Figure 5).

These results emphasize the importance of a quick theoretical/hand analysis. The circuit of the amplifier is

inaccurate and needs to be accounted for in TINA-TI to get realistic numbers. A way to do that can be found in Reference 4, which is Part IV of a series of very valuable articles by Art Kay on noise. A slightly simpler approach is to just add noise (V_{noise} and I_{noise} in Figure 10) to the circuit shown in Figure 8 to compensate for what is missing.

Figure 10. Noise added to circuit in Figure 8



Although not perfect, the results shown in Figure 11 look much more similar to the specification (Figure 5) than the results shown in Figure 9.

With the original circuit in Figure 6, the noise at 5 Hz can again be estimated with Equation 7 using the noise values originally specified.

- In the first term, if $I_{NA} \approx 0.3 \text{ fA}/\sqrt{\text{Hz}}$, and $R_{FB} = 270 \text{ M}\Omega$, this term's contribution to output noise is approximately $(80 \text{ nV}/\sqrt{\text{Hz}})/5.85 = 14 \text{ nV}/\sqrt{\text{Hz}}$.
- In the second term, if $E_A \approx 130 \text{ nV}/\sqrt{\text{Hz}}$, this term's contribution to output noise is approximately $260 \text{ nV}/\sqrt{\text{Hz}}$.
- In the third term, if $R_{FB} = 270 \text{ M}\Omega$, this term's contribution to output noise is approximately $(2 \text{ }\mu\text{V}/\sqrt{\text{Hz}})/5.85 = 340 \text{ nV}/\sqrt{\text{Hz}}$.

Adding all three terms together quadratically totals approximately $430 \text{ nV}/\sqrt{\text{Hz}}$, which as shown in Figure 13, is very close to the simulation result for the circuit in Figure 12 that includes corrected noise sources.

Now consider the variation of noise versus the feedback resistor. Changing R_{FB} in the first term of Equation 7 from $270 \text{ M}\Omega$ to $540 \text{ M}\Omega$ (and dividing C_{FB} by half, from 680 pF to 340 pF , to keep the pole constant) has the following effects on the output-referred noise:

- In the first term, if $I_{NA} \approx 0.3 \text{ fA}/\sqrt{\text{Hz}}$, and $R_{FB} = 540 \text{ M}\Omega$, this term's contribution to output noise is approximately $(160 \text{ nV}/\sqrt{\text{Hz}})/5.85 = 28 \text{ nV}/\sqrt{\text{Hz}}$.
- In the second term, if $E_A \approx 130 \text{ nV}/\sqrt{\text{Hz}}$, this term's contribution to output noise is approximately $320 \text{ nV}/\sqrt{\text{Hz}}$.
- In the third term, if $R_{FB} = 540 \text{ M}\Omega$, this term's contribution to output noise is approximately $(3 \text{ }\mu\text{V}/\sqrt{\text{Hz}})/5.85 = 510 \text{ nV}/\sqrt{\text{Hz}}$.

Adding all three terms together quadratically totals approximately $600 \text{ nV}/\sqrt{\text{Hz}}$, which is once again

Figure 11. Simulation of output noise from circuit in Figure 10

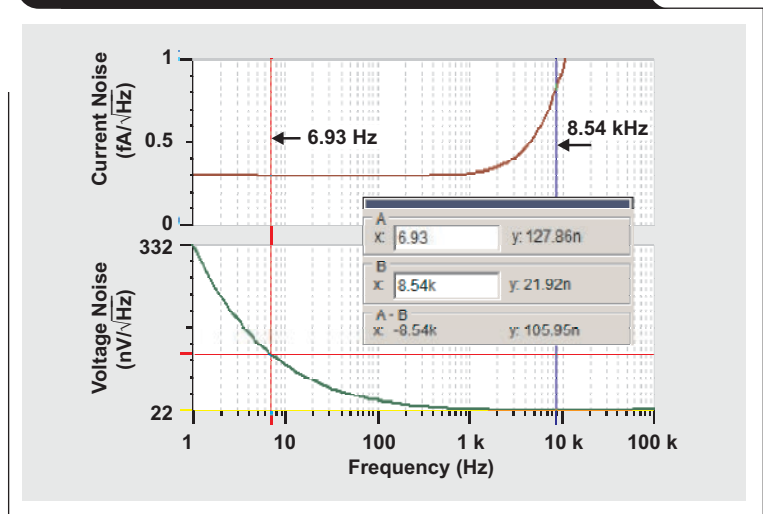


Figure 12. TINA-TI model of Figure 6 circuit with noise sources added

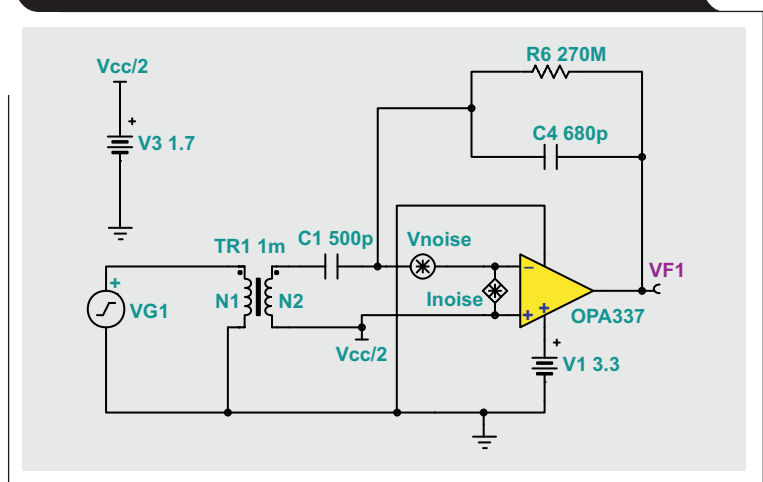


Figure 13. Simulation of output noise from circuit in Figure 12

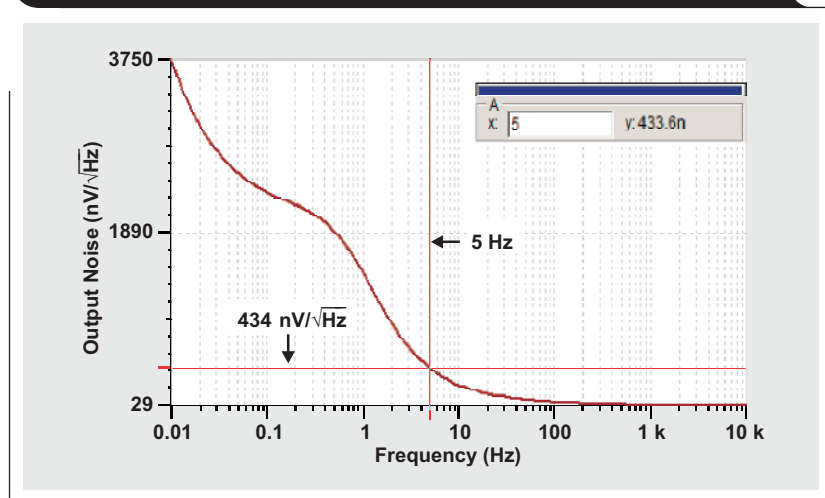
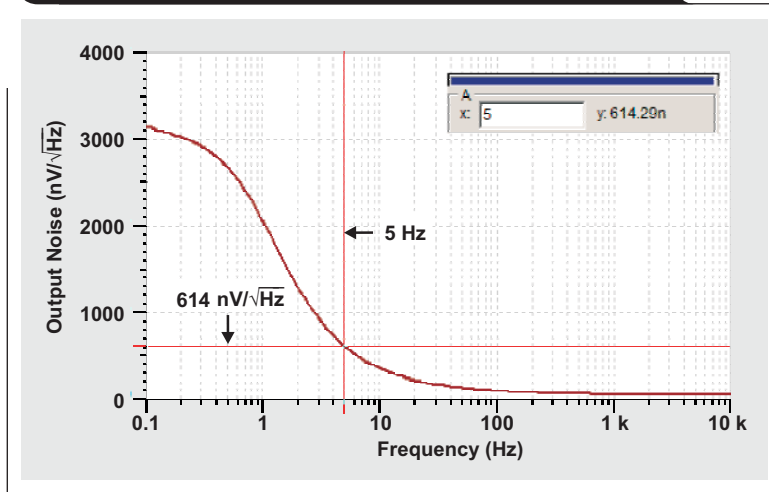


Figure 14. Simulation of output noise from circuit in Figure 12 with R_{FB} doubled and C_{FB} halved



close to the simulation result (see Figure 14). As expected, the output noise goes up. Nevertheless, doubling the resistance allows the capacitance to be divided by two, effectively doubling the gain (i.e., doubling the output signal). Even though R_{FB} is the dominant noise source, and increasing it increases its noise, an SNR improvement of 3 dB is realized because the doubled output signal far exceeds the added noise.

Other practical considerations

Creating equivalent larger resistors with a T network

When very large resistors in the feedback network are desired, it is tempting to create them by using a T network formed by smaller, more accessible components (see

Figure 15). This practice is usually not recommended because the T network results in a large gain for the offset and noise, usually yielding a much worse SNR.

Using differential inputs

So far, the benefits of using differential inputs to reduce noise have been ignored. For simplicity, the amplifiers modeled have been analyzed as single-ended, but Figure 16 shows an improved configuration with differential inputs. This configuration has a double advantage:

1. It intrinsically has twice the gain of a circuit with a single-ended input (the charge gets integrated in C2 and C4), while noise increases only as a square-root function (i.e., the noise sources are uncorrelated).

Figure 15. T-network feedback circuit

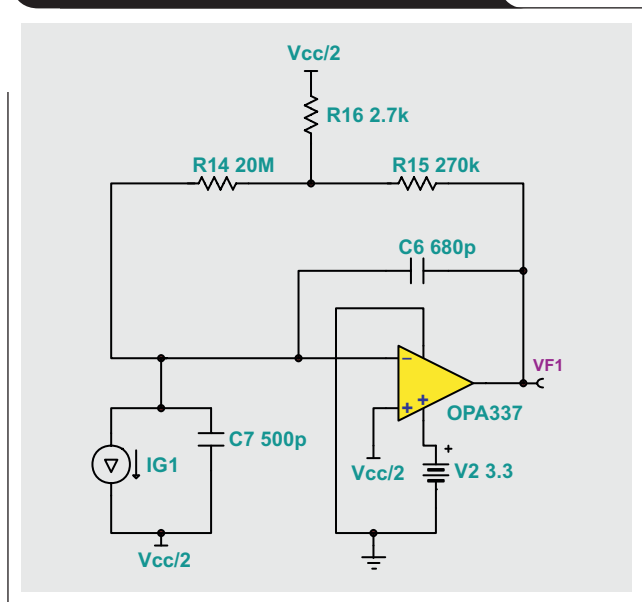
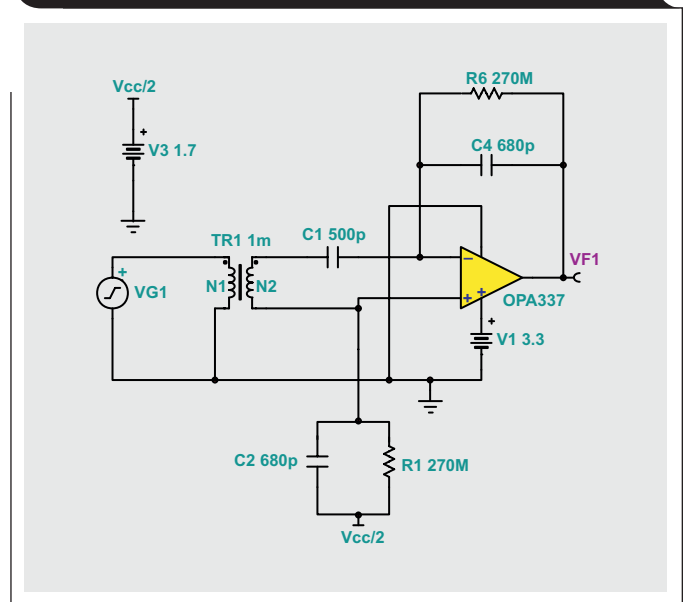


Figure 16. Improved circuit with differential inputs



2. The charge amplifier is a very sensitive (high-gain) circuit. Figure 17 shows that any capacitive coupling of an interferer (in this case the 60-Hz grid) with the input will effectively inject current. In the case of a single-ended amplifier, this means that one of the terminals injects current while the other goes to ground; i.e., the amplifier will just amplify the interferer. In the case of the differential input, common-mode signals applied to both terminals will cancel each other (assuming that the parasitics and feedback networks are the same). In Figure 18, notice the results of coupling to the 60-Hz grid with a single-ended input (blue trace) and how the 60-Hz common-mode noise is greatly reduced by differential inputs that cancel each other's interferer (yellow trace). For the purposes of this example, no effort was made to match the differential inputs beyond the 10% tolerances of the components.

Conclusion

Users can think of piezoelectric sensors as devices that output charge according to their deformation. As such, a charge amplifier is a good fit for this application. This article has presented some of the general rules of thumb to keep in mind when designing this circuit, such as increasing the feedback resistor as much as is practically possible, keeping an eye on the amplifier's input bias current, and using a differential structure. This article has also demonstrated the usefulness of conducting a theoretical analysis before attempting detailed simulations.

Acknowledgments

The author would like to thank Blaine Strickland, Paal Oeyvind Reichelt, Bob Kaminsky, Thomas Kuehl, Tim Green, and Sergio Salinas for their support during this project.

References

For more information related to this article, you can download an Acrobat® Reader® file at www.ti.com/lit/litnumber and replace "litnumber" with the **TI Lit. #** for the materials listed below.

Document Title

- 1. Guy Kulwanoski and Jeff Schnellinger. The Principles of Piezoelectric Accelerometers. *Sensors Magazine* (Feb. 1, 2004) [Online]. Available: <http://www.sensorsmag.com/articles/0204/27/main.shtml>
- 2. Vishay surface-mount resistors [Online]. Available: <http://www.vishay.com/resistors-discrete/res1M-1G/>
- 3. "MicroSIZE, Single-Supply CMOS Operational Amplifiers MicroAmplifier™ Series," OPA337 Data Sheet sbos077

Figure 17. Model of 60-Hz common-mode noise source to differential input amplifier

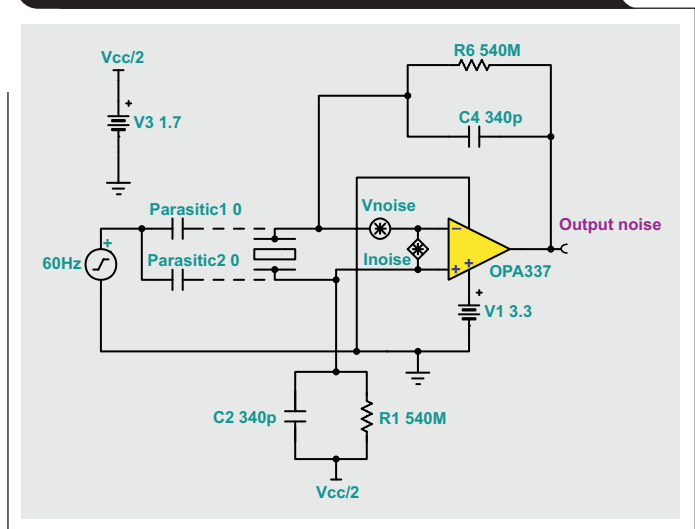
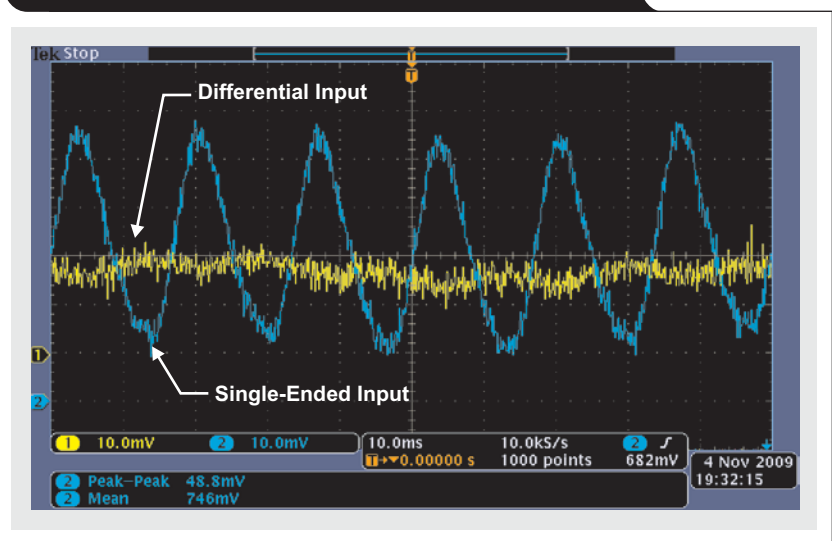


Figure 18. Differential amplifier nearly eliminates common-mode noise



TI Lit. #

Document Title

TI Lit. #

- 4. Art Kay. Analysis And Measurement Of Intrinsic Noise In Op Amp Circuits - Part IV: Introduction to SPICE Noise Analysis. *EN-Genius Network: analogZONE: a/vZONE* [Online]. Available with other parts of the series under "audio/videoZONE TechNotes" at: www.analogzone.com/tech_fram.htm

Related Web sites

- amplifier.ti.com
- www.ti.com/sc/device/OPA337
- www.ti.com/tina-ti

TI Worldwide Technical Support

Internet

TI Semiconductor Product Information Center Home Page

support.ti.com

TI E2E Community Home Page

e2e.ti.com

Product Information Centers

Americas	Phone	+1(972) 644-5580
Brazil	Phone	0800-891-2616
Mexico	Phone	0800-670-7544
	Fax	+1(972) 927-6377
	Internet/Email	support.ti.com/sc/pic/americas.htm

Europe, Middle East, and Africa

Phone	
European Free Call	00800-ASK-TEXAS (00800 275 83927)
International	+49 (0) 8161 80 2121
Russian Support	+7 (4) 95 98 10 701

Note: The European Free Call (Toll Free) number is not active in all countries. If you have technical difficulty calling the free call number, please use the international number above.

Fax	+ (49) (0) 8161 80 2045
Internet	support.ti.com/sc/pic/euro.htm

Japan

Phone	Domestic	0120-92-3326
Fax	International	+81-3-3344-5317
	Domestic	0120-81-0036
Internet/Email	International	support.ti.com/sc/pic/japan.htm
	Domestic	www.tij.co.jp/pic

Asia

Phone	
International	+91-80-41381665
Domestic	<u>Toll-Free Number</u>
Australia	1-800-999-084
China	800-820-8682
Hong Kong	800-96-5941
India	1-800-425-7888
Indonesia	001-803-8861-1006
Korea	080-551-2804
Malaysia	1-800-80-3973
New Zealand	0800-446-934
Philippines	1-800-765-7404
Singapore	800-886-1028
Taiwan	0800-006800
Thailand	001-800-886-0010
Fax	+886-2-2378-6808
Email	tiasia@ti.com or ti-china@ti.com
Internet	support.ti.com/sc/pic/asia.htm

Important Notice: The products and services of Texas Instruments Incorporated and its subsidiaries described herein are sold subject to TI's standard terms and conditions of sale. Customers are advised to obtain the most current and complete information about TI products and services before placing orders. TI assumes no liability for applications assistance, customer's applications or product designs, software performance, or infringement of patents. The publication of information regarding any other company's products or services does not constitute TI's approval, warranty or endorsement thereof.

E121709

MicroAmplifier and TINA-TI are trademarks of Texas Instruments. Acrobat and Reader are registered trademarks of Adobe Systems Incorporated. All other trademarks are the property of their respective owners.

IMPORTANT NOTICE

Texas Instruments Incorporated and its subsidiaries (TI) reserve the right to make corrections, modifications, enhancements, improvements, and other changes to its products and services at any time and to discontinue any product or service without notice. Customers should obtain the latest relevant information before placing orders and should verify that such information is current and complete. All products are sold subject to TI's terms and conditions of sale supplied at the time of order acknowledgment.

TI warrants performance of its hardware products to the specifications applicable at the time of sale in accordance with TI's standard warranty. Testing and other quality control techniques are used to the extent TI deems necessary to support this warranty. Except where mandated by government requirements, testing of all parameters of each product is not necessarily performed.

TI assumes no liability for applications assistance or customer product design. Customers are responsible for their products and applications using TI components. To minimize the risks associated with customer products and applications, customers should provide adequate design and operating safeguards.

TI does not warrant or represent that any license, either express or implied, is granted under any TI patent right, copyright, mask work right, or other TI intellectual property right relating to any combination, machine, or process in which TI products or services are used. Information published by TI regarding third-party products or services does not constitute a license from TI to use such products or services or a warranty or endorsement thereof. Use of such information may require a license from a third party under the patents or other intellectual property of the third party, or a license from TI under the patents or other intellectual property of TI.

Reproduction of TI information in TI data books or data sheets is permissible only if reproduction is without alteration and is accompanied by all associated warranties, conditions, limitations, and notices. Reproduction of this information with alteration is an unfair and deceptive business practice. TI is not responsible or liable for such altered documentation. Information of third parties may be subject to additional restrictions.

Resale of TI products or services with statements different from or beyond the parameters stated by TI for that product or service voids all express and any implied warranties for the associated TI product or service and is an unfair and deceptive business practice. TI is not responsible or liable for any such statements.

TI products are not authorized for use in safety-critical applications (such as life support) where a failure of the TI product would reasonably be expected to cause severe personal injury or death, unless officers of the parties have executed an agreement specifically governing such use. Buyers represent that they have all necessary expertise in the safety and regulatory ramifications of their applications, and acknowledge and agree that they are solely responsible for all legal, regulatory and safety-related requirements concerning their products and any use of TI products in such safety-critical applications, notwithstanding any applications-related information or support that may be provided by TI. Further, Buyers must fully indemnify TI and its representatives against any damages arising out of the use of TI products in such safety-critical applications.

TI products are neither designed nor intended for use in military/aerospace applications or environments unless the TI products are specifically designated by TI as military-grade or "enhanced plastic." Only products designated by TI as military-grade meet military specifications. Buyers acknowledge and agree that any such use of TI products which TI has not designated as military-grade is solely at the Buyer's risk, and that they are solely responsible for compliance with all legal and regulatory requirements in connection with such use.

TI products are neither designed nor intended for use in automotive applications or environments unless the specific TI products are designated by TI as compliant with ISO/TS 16949 requirements. Buyers acknowledge and agree that, if they use any non-designated products in automotive applications, TI will not be responsible for any failure to meet such requirements.

Following are URLs where you can obtain information on other Texas Instruments products and application solutions:

Products		Applications	
Amplifiers	amplifier.ti.com	Audio	www.ti.com/audio
Data Converters	dataconverter.ti.com	Automotive	www.ti.com/automotive
DLP® Products	www.dlp.com	Communications and Telecom	www.ti.com/communications
DSP	dsp.ti.com	Computers and Peripherals	www.ti.com/computers
Clocks and Timers	www.ti.com/clocks	Consumer Electronics	www.ti.com/consumer-apps
Interface	interface.ti.com	Energy	www.ti.com/energy
Logic	logic.ti.com	Industrial	www.ti.com/industrial
Power Mgmt	power.ti.com	Medical	www.ti.com/medical
Microcontrollers	microcontroller.ti.com	Security	www.ti.com/security
RFID	www.ti-rfid.com	Space, Avionics & Defense	www.ti.com/space-avionics-defense
RF/IF and ZigBee® Solutions	www.ti.com/lprf	Video and Imaging	www.ti.com/video
		Wireless	www.ti.com/wireless-apps