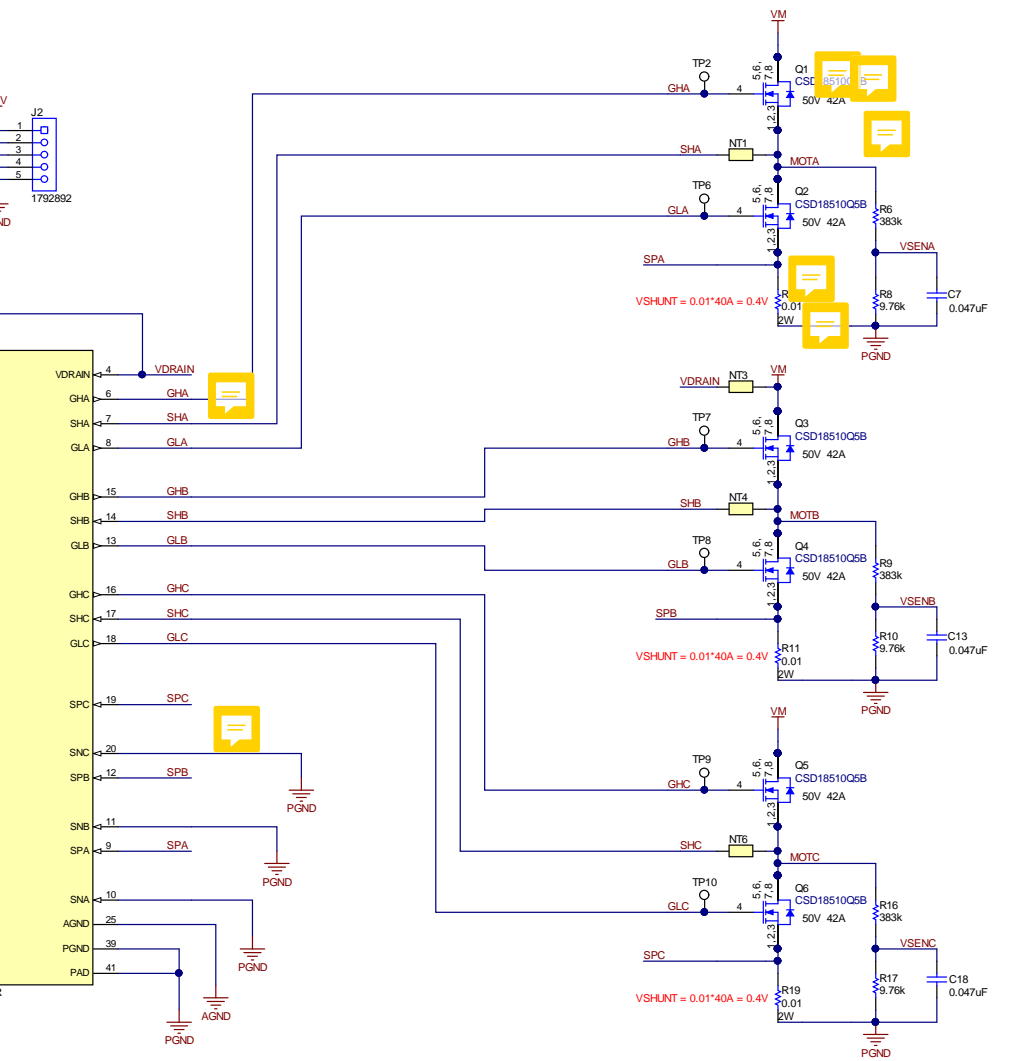
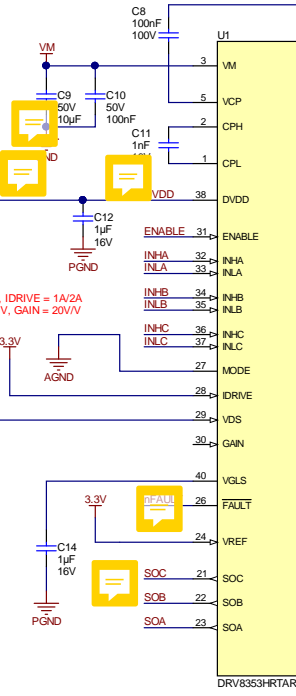
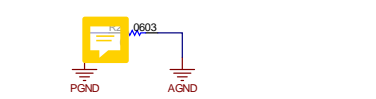
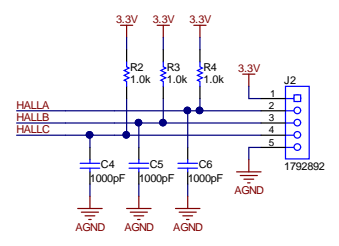
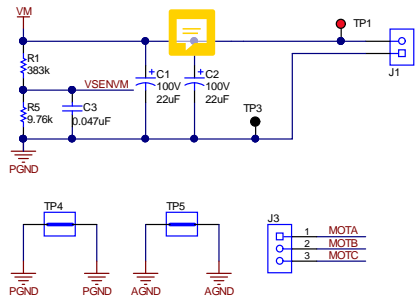


Motor Voltage VM = 48V
Maximum motor current = 40-A peak



Orderable:	Designed for:	Mod. Date: 6/3/2021
TID #:	Project Title:	
Number:	Rev:	Sheet Title:
SVN Rev. Not in version control	Assembly Variant: [No Variations]	Sheet: 2 of 3
Drawn By:	File: drv6353rs_mock_SchDoc	Size: B
Engineer:	Contact:	

Texas Instruments and/or its licensors do not warrant the accuracy or completeness of this specification or any information contained therein. Texas Instruments and/or its licensors do not warrant that this design will meet the specifications, will be suitable for your application or fit for any particular purpose, or will operate in an implementation. Texas Instruments and/or its licensors do not warrant that the design is production worthy. You should completely validate and test your design implementation to confirm the system functionality for your application.

