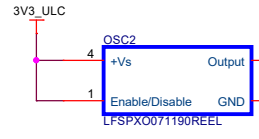


<ULC1001 & DRV2911>

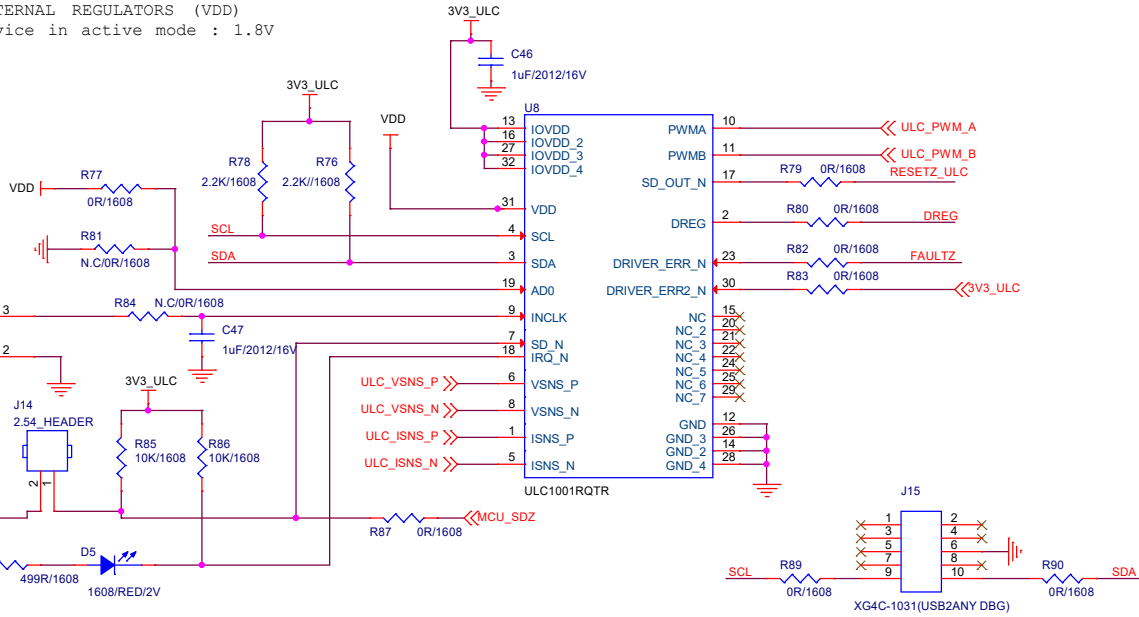
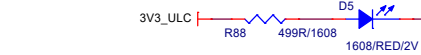
<ULC1001>

INTERNAL REGULATORS (VDD)
Device in active mode : 1.8V

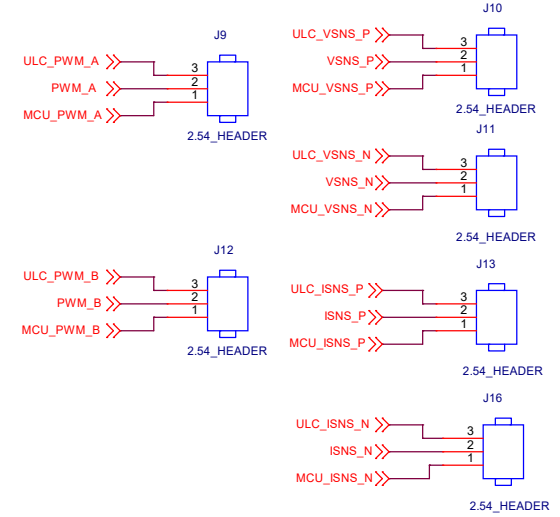
I2C Sel
AD0 I2C Device Address
Short to GND 4C
10kΩ to GND 4D
10kΩ to VDD 4E
Short to VDD 4F



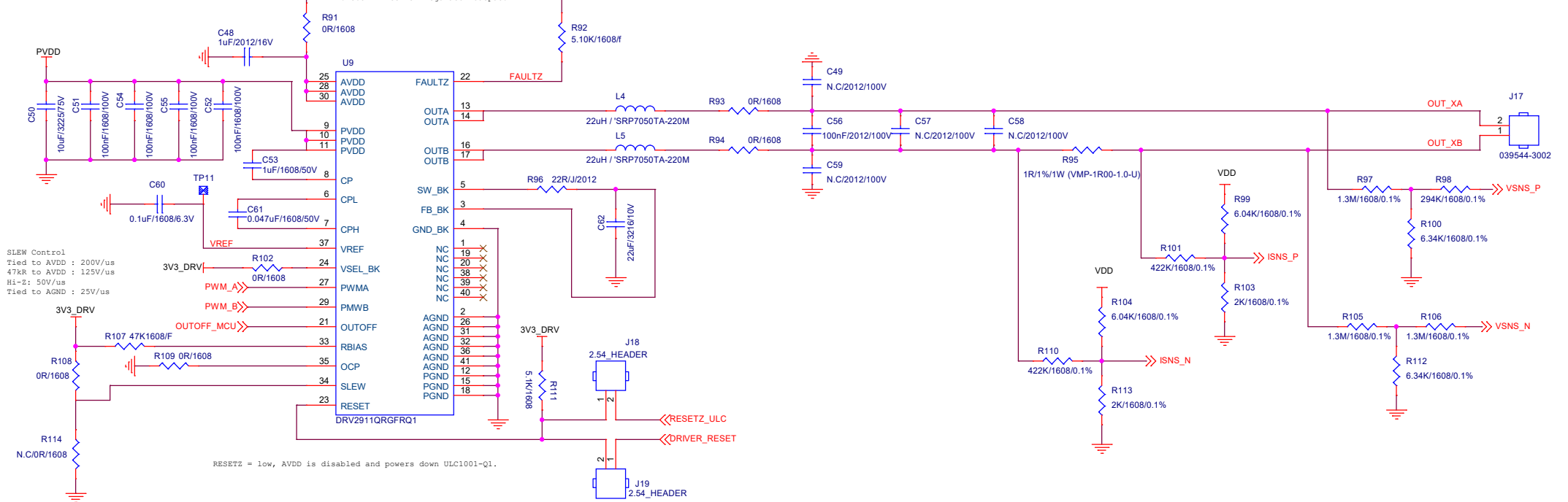
SHUTDOWN AND INTERRUPT



<ULC1001 / MCU SW>



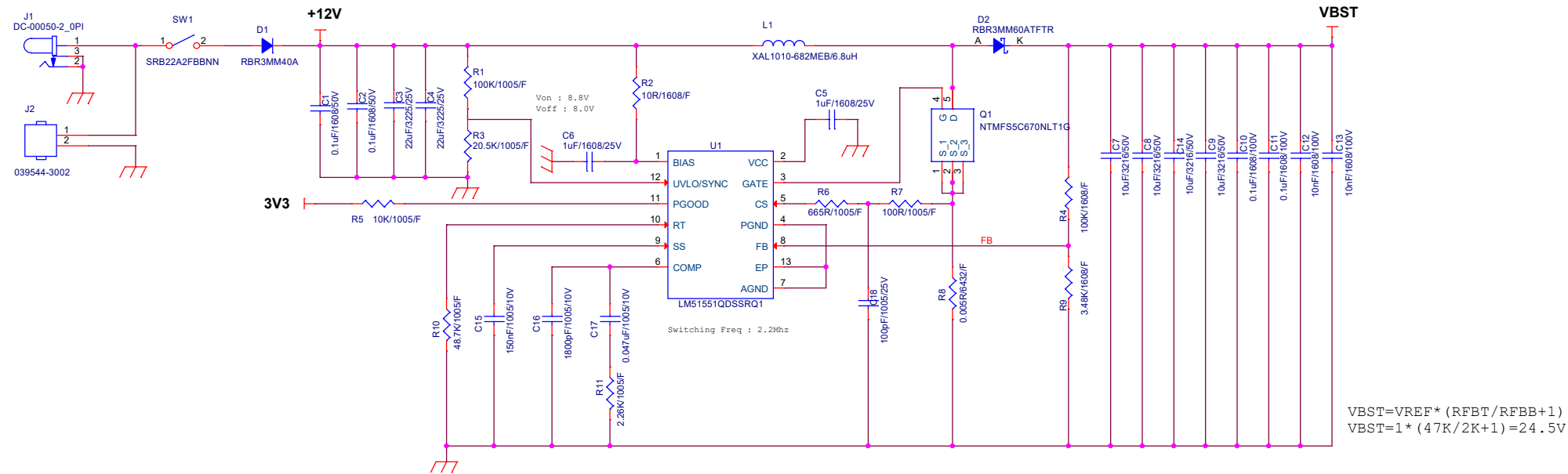
<DRV2911 Driver>



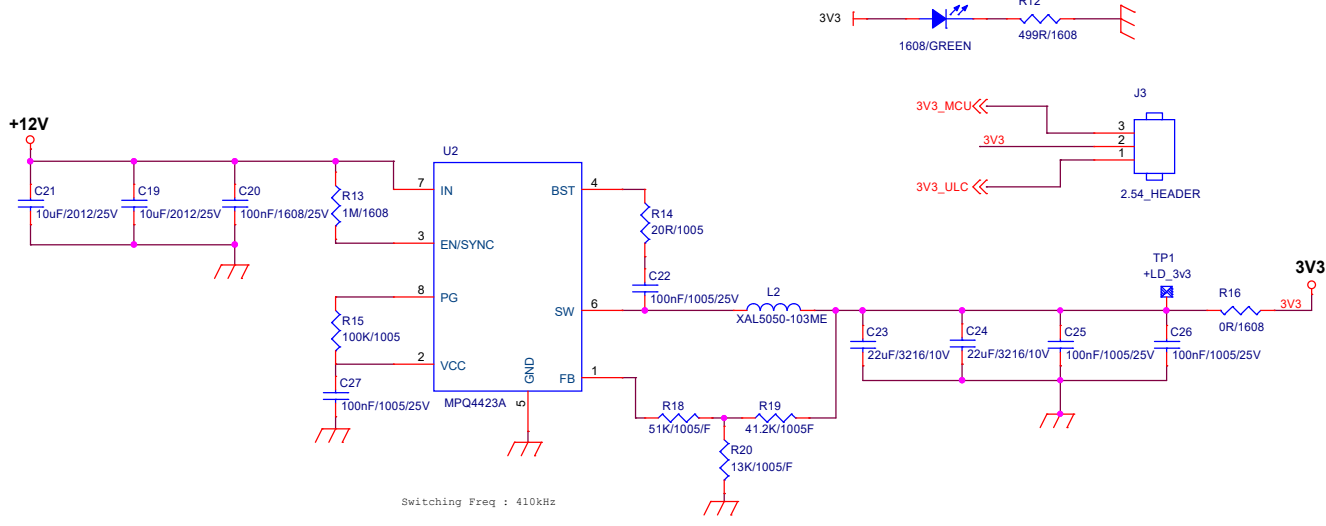
SLEW Control
Tied to AVDD : 200V/us
47kΩ to AVDD : 125V/us
Hi-Z : 50V/us
Tied to AGND : 25V/us

RESETZ = low, AVDD is disabled and powers down ULC1001-Q1.

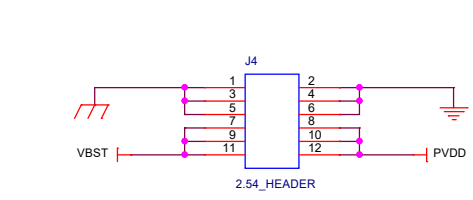
<BOOST CONVERTER>



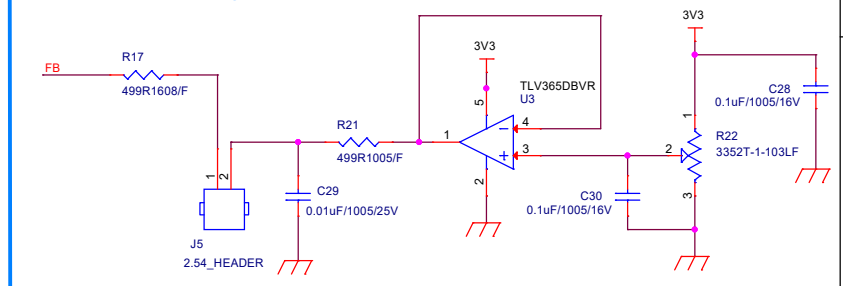
<3.3V Buck>



<Power Jumpers>



<Boost Vout Adjust(N.C)>



Title			
-SENSOR-			
Size	Document Number	Rev	
A3	<JH-SENSOR>	<0.1>	
Date:	Tuesday, September 10, 2024	Sheet	1 of 3