

6

5

4

3

2

1

D

D

C

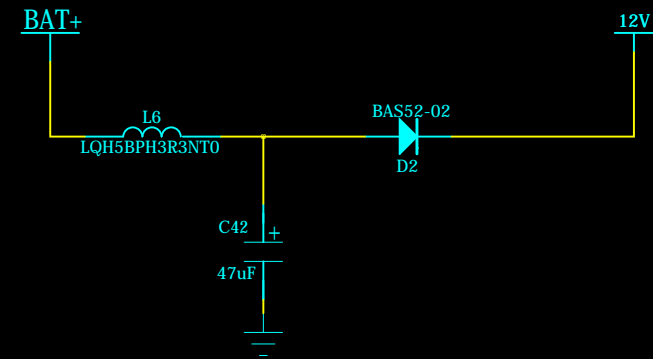
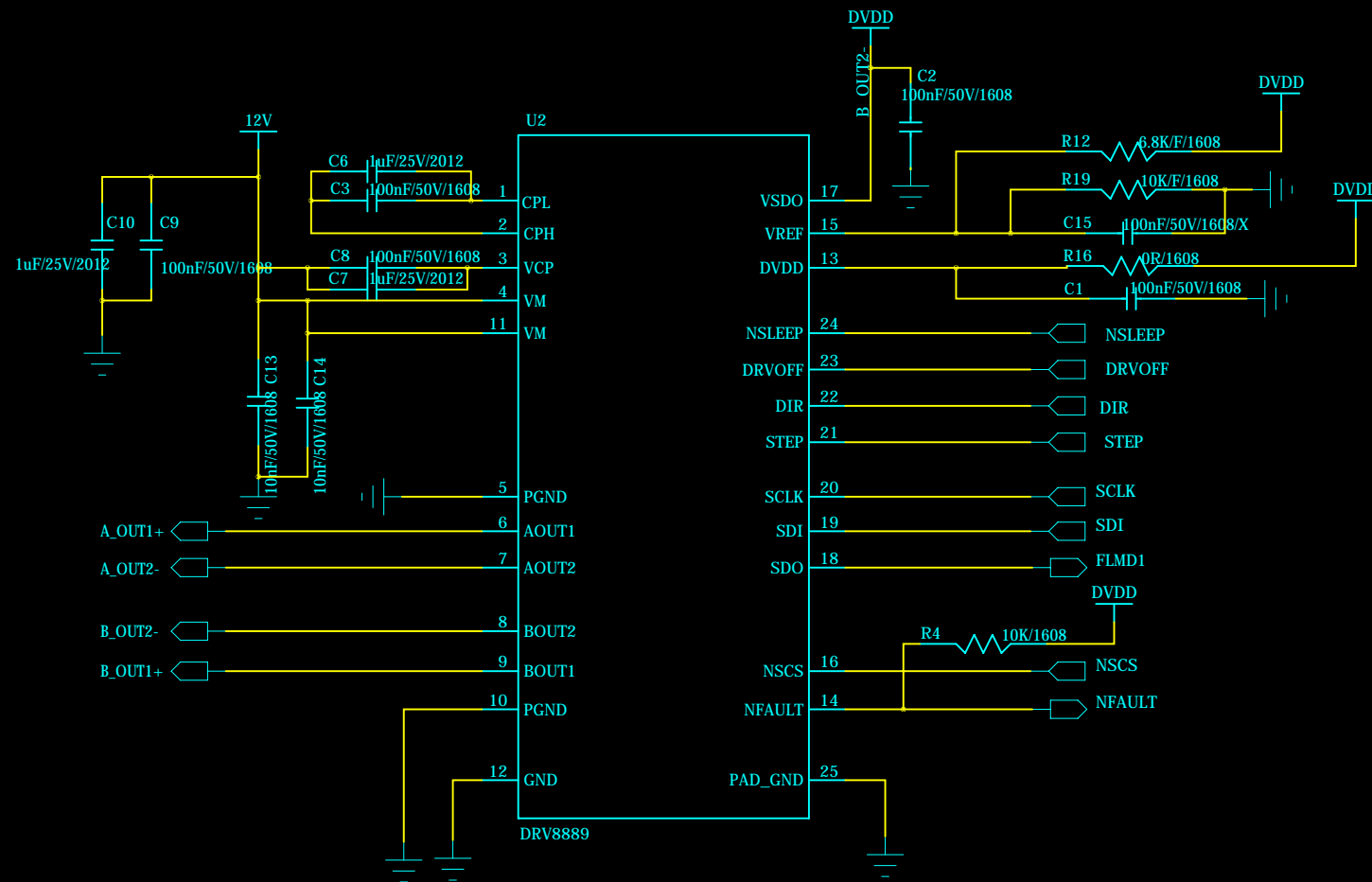
C

B

B

A

A



COMPANY:			
TITLE:			
CODE:	SIZE:	DRAWING NO:	REV:
DRAWN:	DATED:	SHEET: OF	