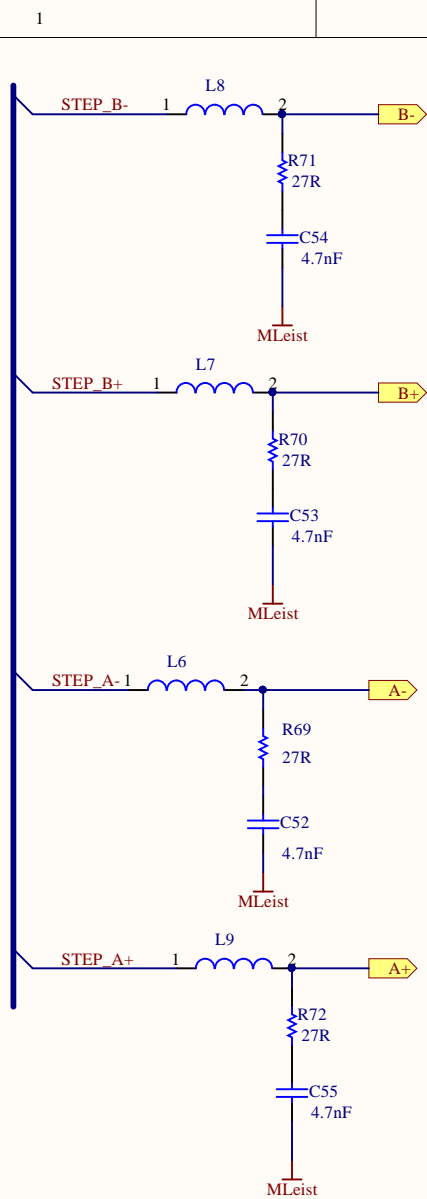
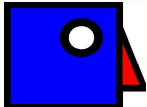
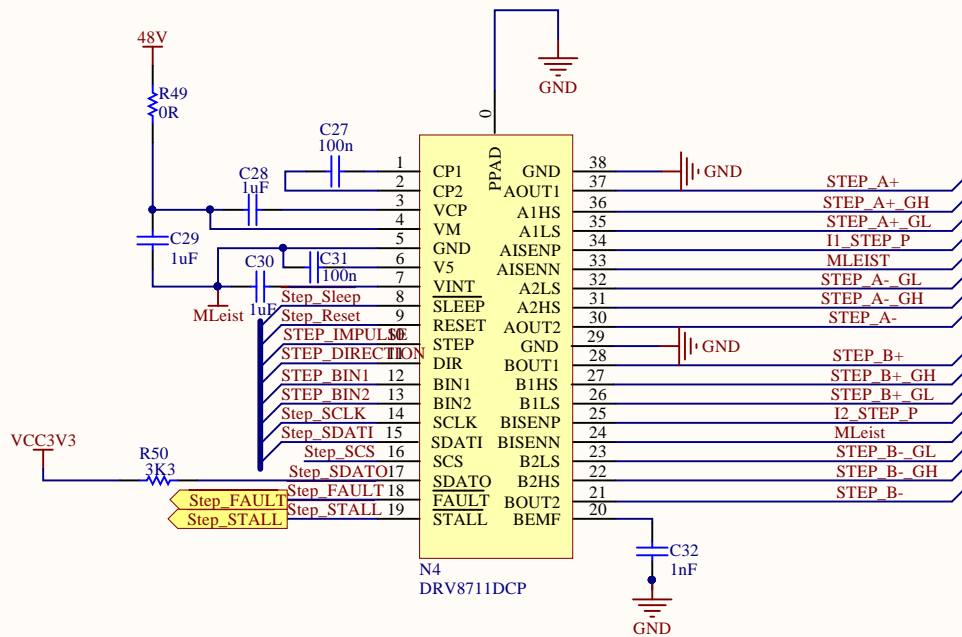
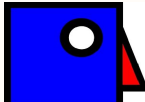


	Date	Name	Project Name:	Ident.Nr.	Rev.
DrawnBy:	06.10.2015	Pallis	Schrittmotor Steuerung	A2630	00
CheckedBy:		Kerle	Sheet Name:	Page	
ApprovedBy:		Bitschi Lengauer	Mosfet Endstufe	7/12	



 <b>TEAM</b> ELECTRONICS Treietstraße 42 6832 Sulz, Austria		Date	Name	Project Name: Schrittmotor Steuerung	Ident.Nr. A2630	Rev. 00
	DrawnBy:	06.10.2015	Pallis			
	CheckedBy:		Kerle	Sheet Name: Motor Stecker, Filters Massen Verbindung	Page 8/12	
	ApprovedBy:		Bitschi Lengauer			



 <b>TEAM</b> ELECTRONICS Treietstraße 42 6832 Sulz, Austria	DrawnBy:	06.10.2015	Name	Project Name:	Ident.Nr.	Rev.
	CheckedBy:		Kerle	Schrittmotor Steuerung	A2630	00
	ApprovedBy:		Bitschi Lengauer	Sheet Name:	Page	
				Schrittmotorcontroller Mosfet Driver	6/12	