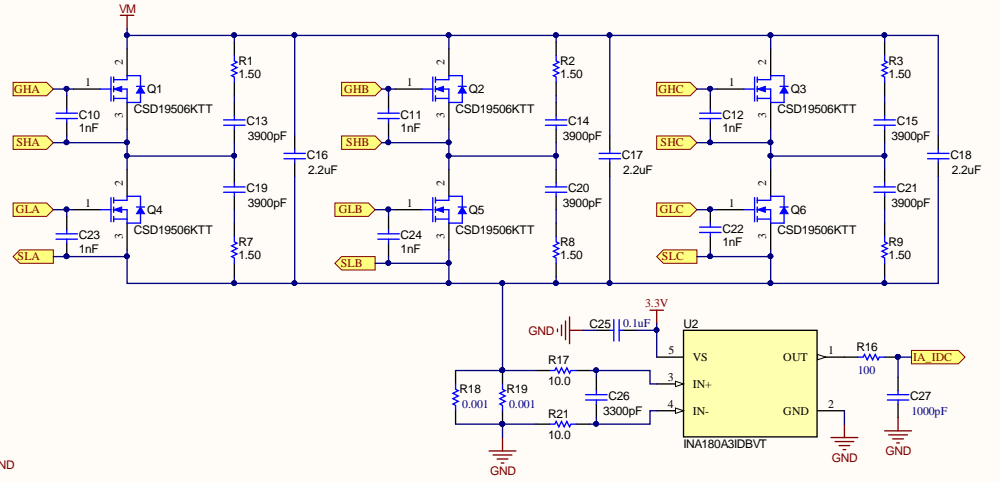
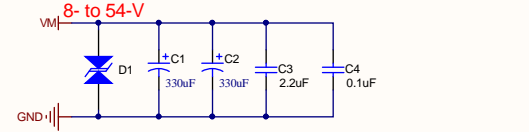
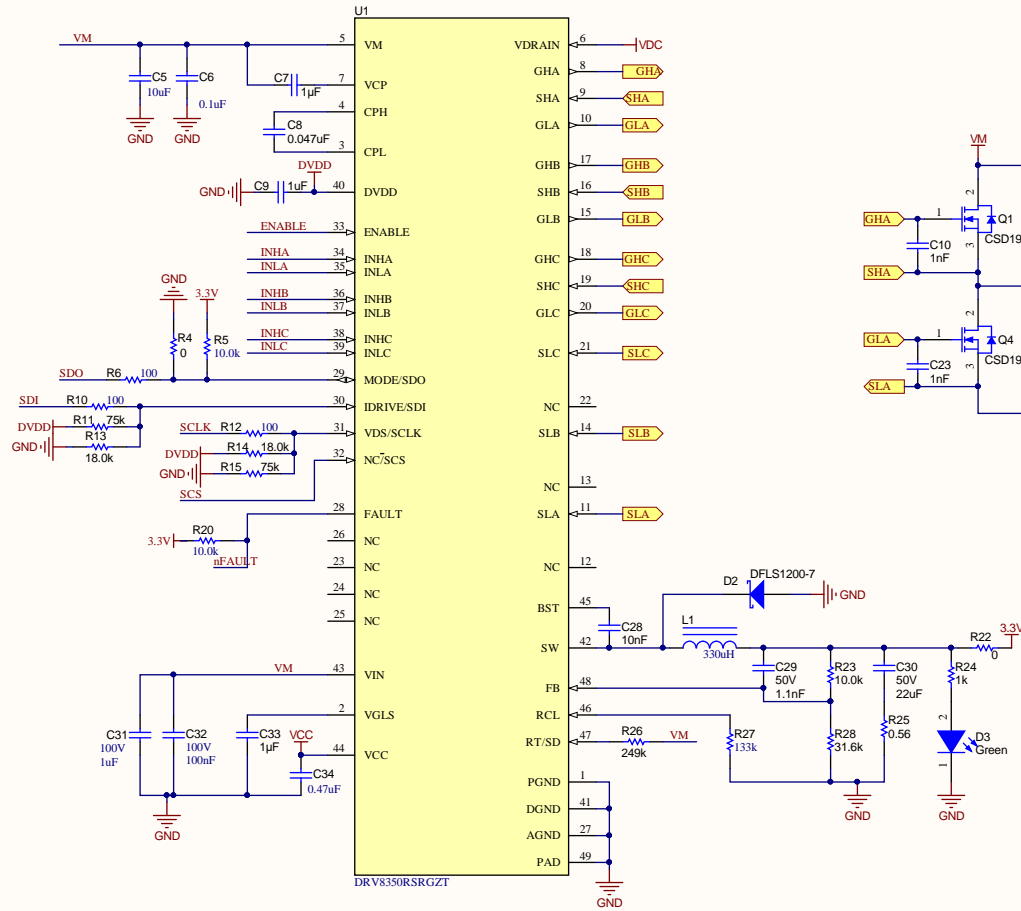
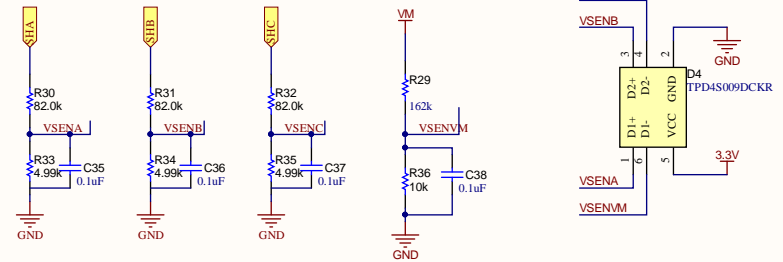
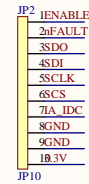
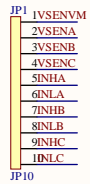


Three Phase gate Driver

Three Phase Inverter with Current Sensing



DC bus and BEMF Voltage Sensing



Title		
Size	Number	Revision
A3		
Date:	05/25/2023	Sheet of
File:	D:\OneDrive\MDNN_V3.SchDoc	Drawn By: