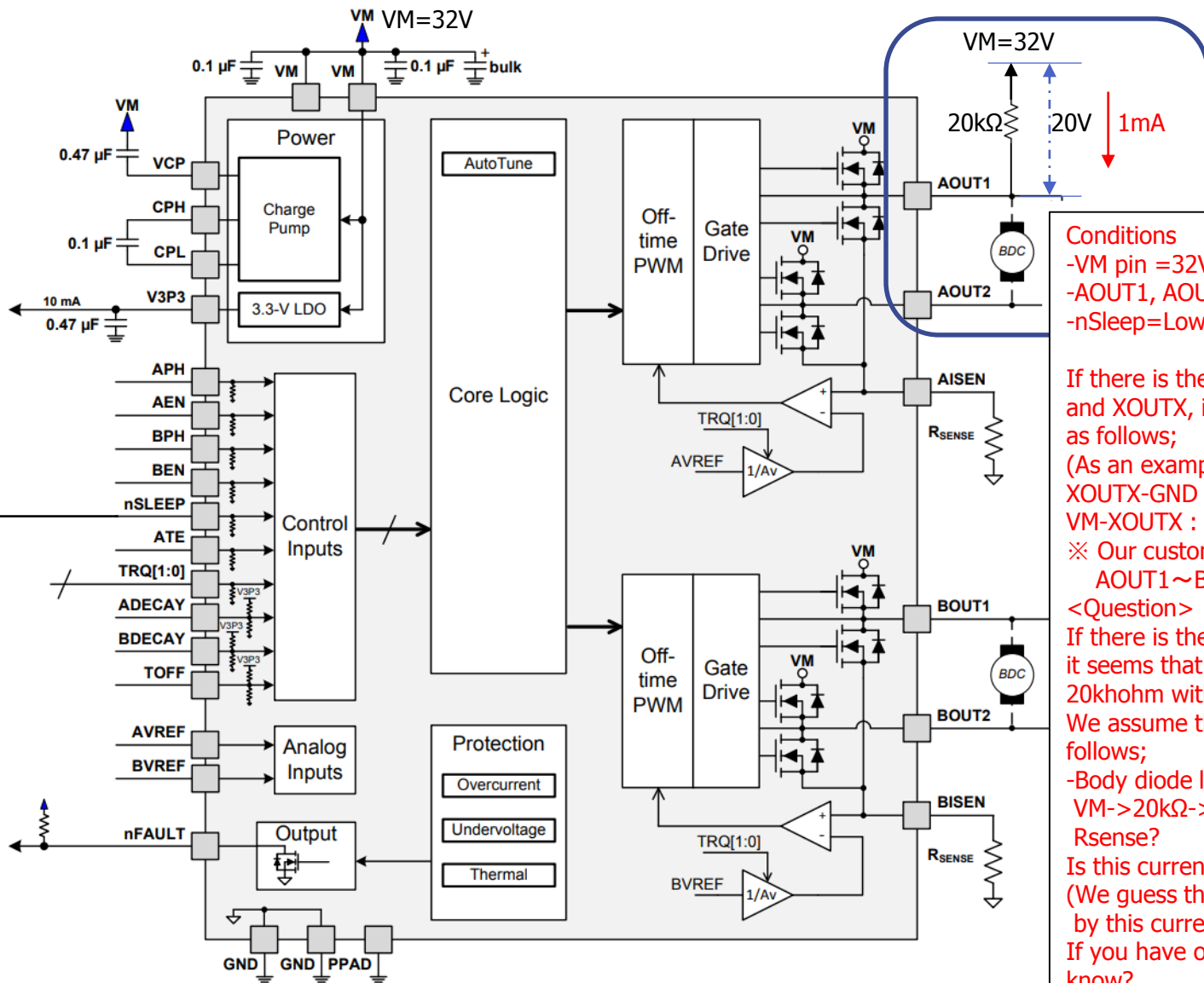


<Question>



Conditions

- VM pin =32V
- AOUT1, AOUT2, BOUT1, BOUT2=Open
- nSleep=Low(Sleep mode)

If there is the pull-up between VM and XOUTX, it occurs voltage as follows;
 (As an example, it shows at AOUT1.)
 XOUTX-GND : 12V
 VM-XOUTX : 20V
 ※ Our customer checked it with each AOUT1~BOUT2, the result was the same.

<Question>
 If there is the pull-up between VM and XOUTX, it seems that the current flows VM to 20kohm with 1mA.
 We assume that this current causes of follows;
 -Body diode leakage current
 VM->20kΩ->Aout1->body-diode->AISEN->Rsense?
 Is this current 1mA normal operation?
 (We guess that the device isn't damaged by this current.)
 If you have other comment, could you let us know?

Figure 11. DRV8881E Block Diagram

