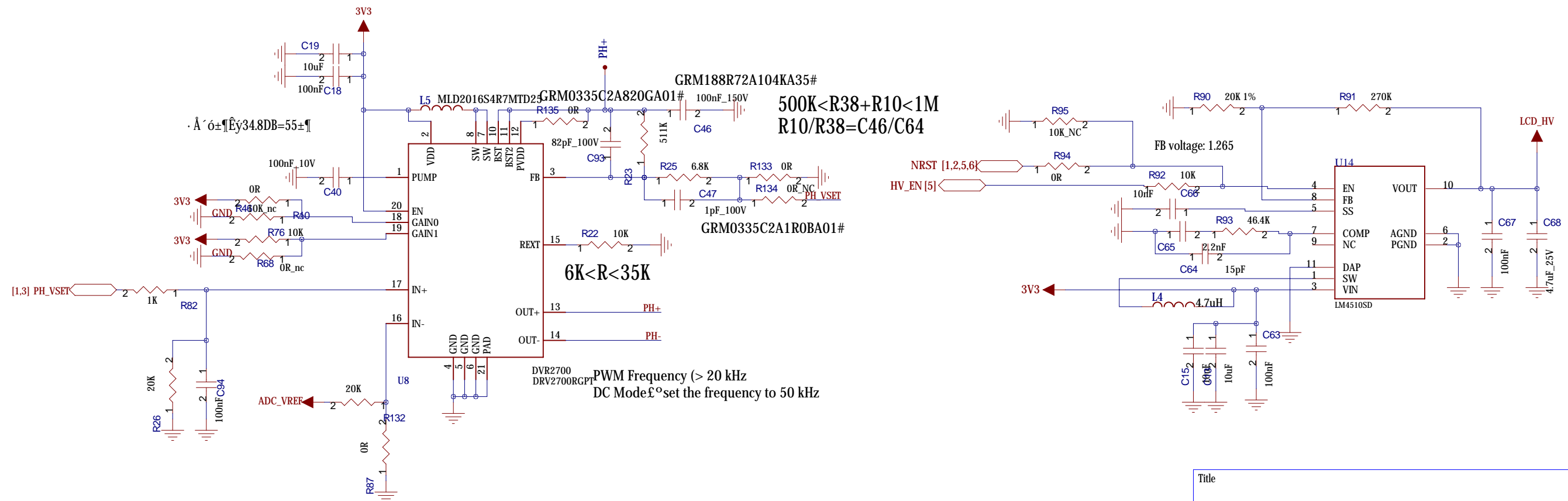
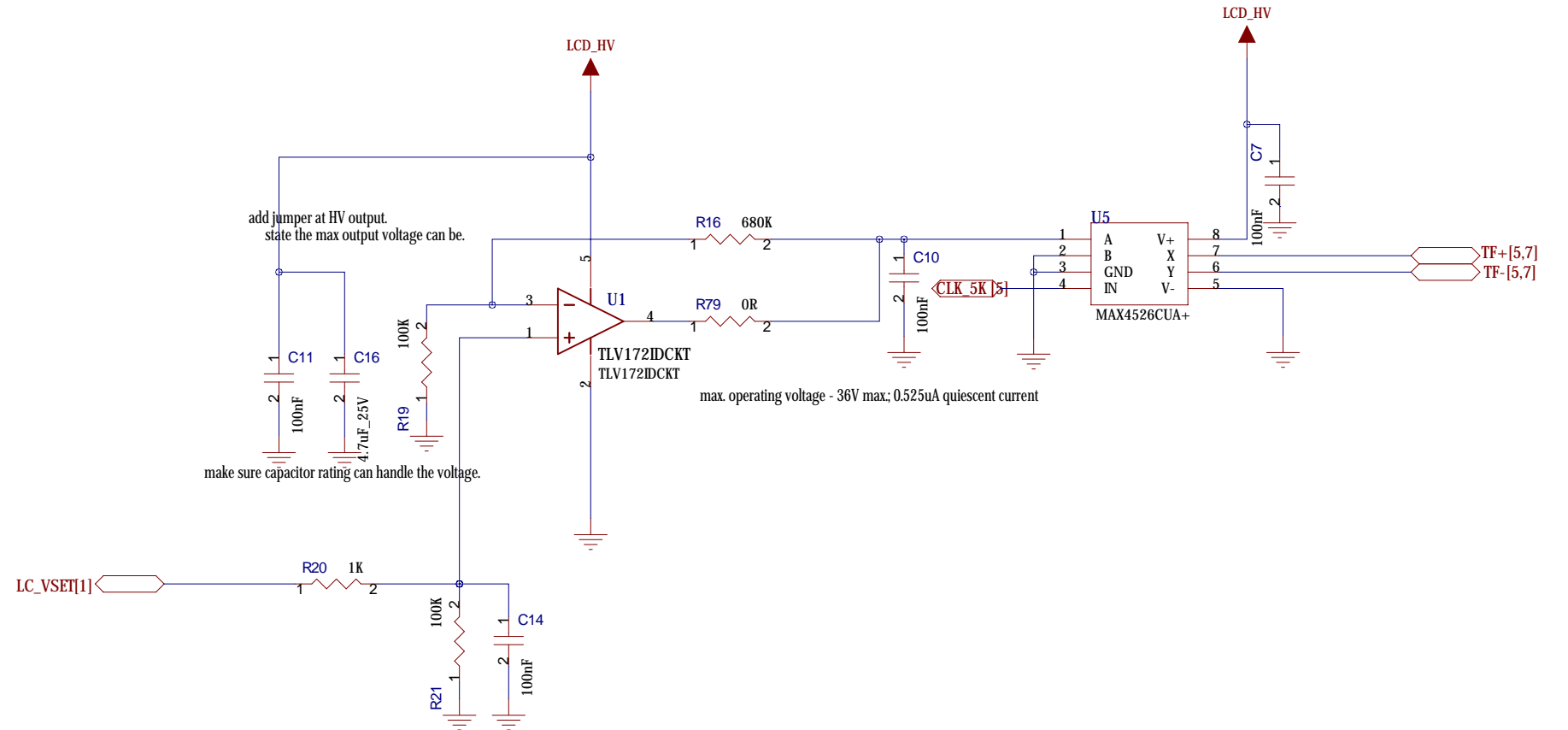


Modulator Driver and Power Supply

change output voltage to 15V; R15 value change to 217.15 or nearest value below that.



Title		
Size	Number	Revision
Date:	Sheet of	
File:	Drawn By:	