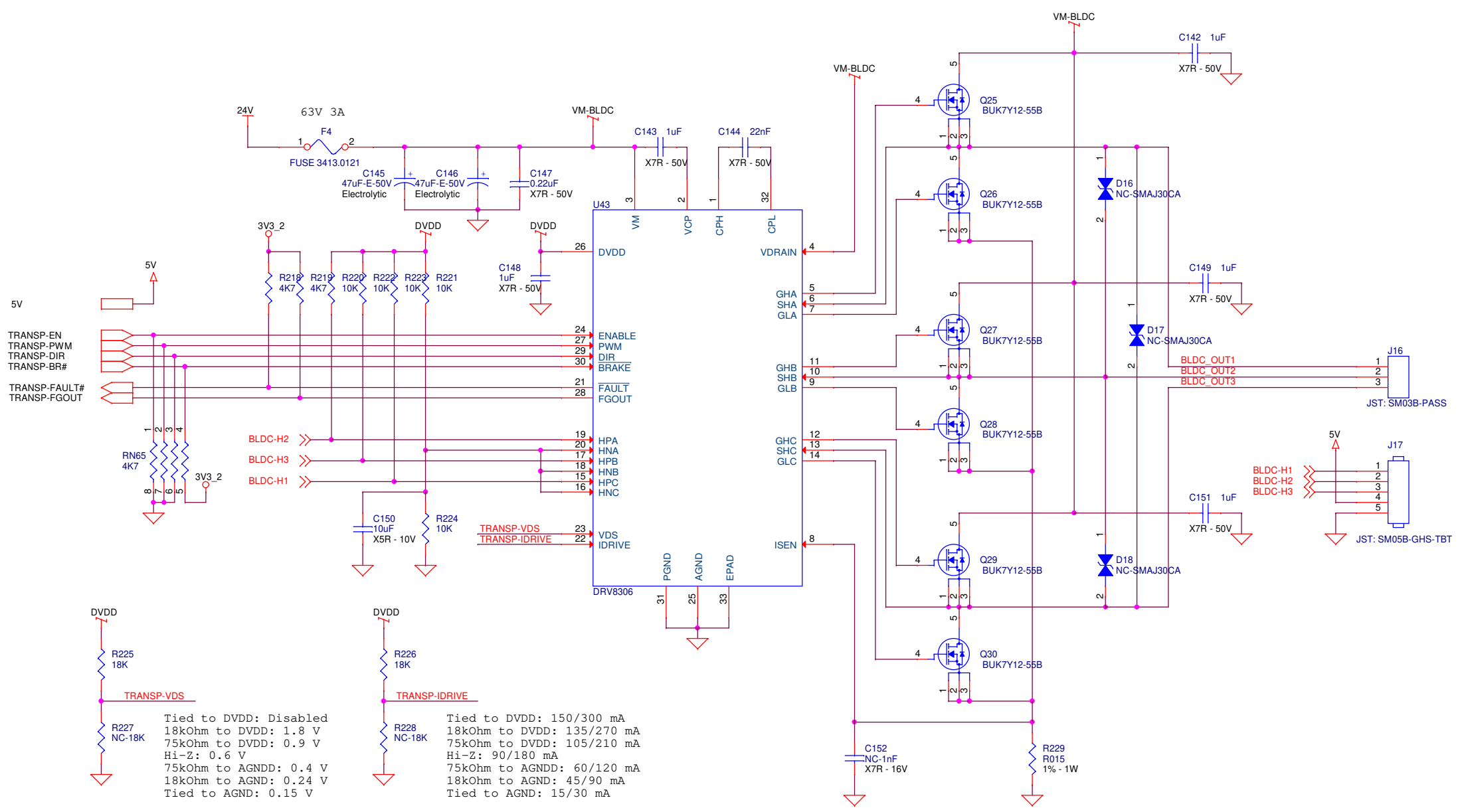


Tied to DVDD: Disabled
 18kOhm to DVDD: 1.8 V
 75kOhm to DVDD: 0.9 V
 Hi-Z: 0.6 V
 75kOhm to AGND: 0.4 V
 18kOhm to AGND: 0.24 V
 Tied to AGND: 0.15 V

Tied to DVDD: 150/300 mA
 18kOhm to DVDD: 135/270 mA
 75kOhm to DVDD: 105/210 mA
 Hi-Z: 90/180 mA
 75kOhm to AGND: 60/120 mA
 18kOhm to AGND: 45/90 mA
 Tied to AGND: 15/30 mA



Tied to DVDD: Disabled
 18kOhm to DVDD: 1.8 V
 75kOhm to DVDD: 0.9 V
 Hi-Z: 0.6 V
 75kOhm to AGND: 0.4 V
 18kOhm to AGND: 0.24 V
 Tied to AGND: 0.15 V

Tied to DVDD: 150/300 mA
 18kOhm to DVDD: 135/270 mA
 75kOhm to DVDD: 105/210 mA
 Hi-Z: 90/180 mA
 75kOhm to AGND: 60/120 mA
 18kOhm to AGND: 45/90 mA
 Tied to AGND: 15/30 mA