

Characteristics:

Brushless DC Motor, Close Frame

**Specifications:**

Dimensions (mm)	: Ø 65.0 X 63.5 mm
Shaft Diameter (mm)	: Ø 8.000 mm
Input Voltage (V)	: 18.0 V DC
No Load Speed (rpm)	: 17200 rpm
No Load Current (A)	: 6.50 A
Nominal Speed (rpm)	: 14000 rpm
Nominal Torque (mNm)	: 630 mNm
Nominal Current (mA)	: 66.00 A
Stall Torque (mNm)	: 3372.00 mNm
Stall Current (A)	: 326 A
Maximum Output Power (W)	: 1518.00 W
Maximum Efficiency (%)	: 79.00%
Torque at Max Efficiency (mNm)	: 415.00 mNm
Speed at Max Efficiency (rpm)	: 15000 rpm
Life (Typical)	: 150 hr
Weight (g)	: 685.00 g
Operating Temperature Range (°C)	: -10 to 70 °C
Storage Temperature Range (°C)	: -20 to 70 °C
Electrical Connection	: 6-pin connector (Optional)

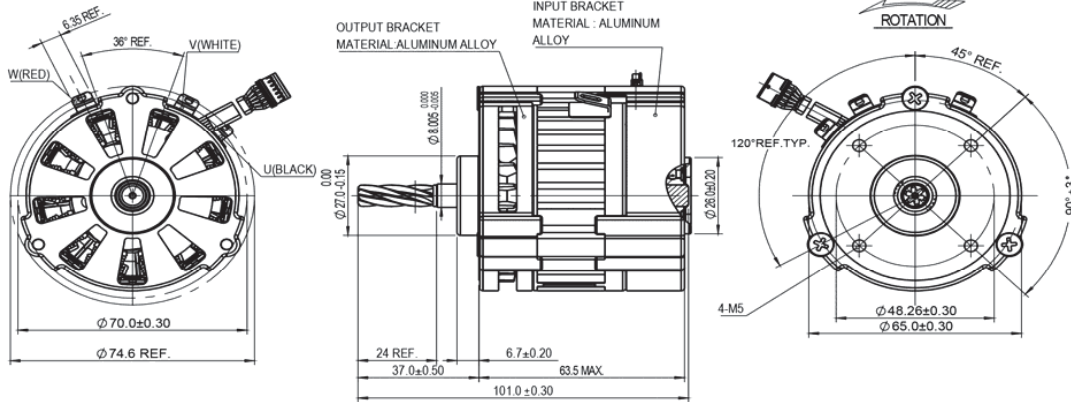
Performance Data:

	No Load	Stall	Max. Efficiency	Max. Power
Current (A)	6.50	326.00	66.30	166.50
Efficiency (%)	-	-	79.40	50.60
Output Power (W)	-	-	656.00	1518.00
Speed (rpm)	17200.00	-	15000.00	8600.00
Torque (mNm)	-	3372.00	415.50	1686.00

Application Examples:

Impact Wrench, Drill, Screw Driver, Impact Driver, Grinder, Sander

Drawing:



Performance Curves:

