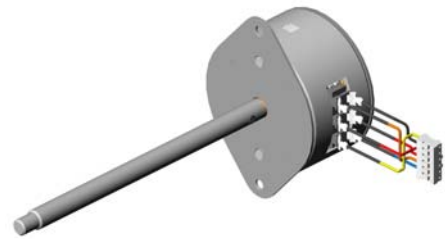


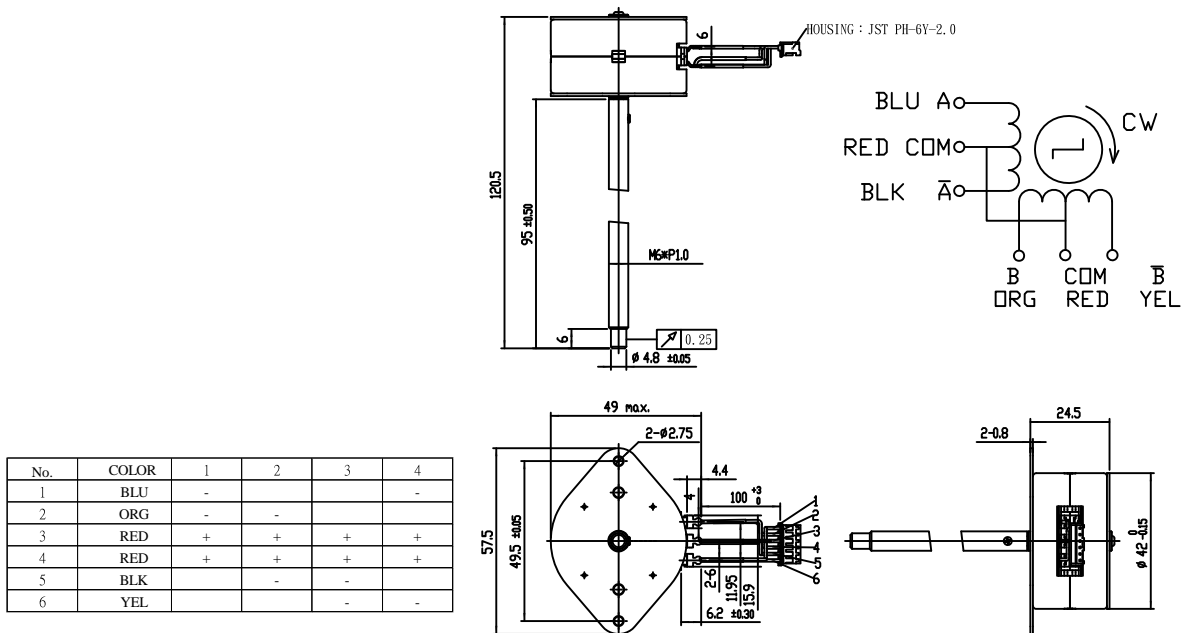
## STEPPING MOTOR SRL42 SERIES



**Application**  
Race apparatus

MODEL	VOLTAGE		CURRENT	STEP ANGLE	PHASE	DRIVE MODE	MASS
	OPERATING RANGE	NOMINAL	A	11.25°	2	UNI-POLAR	160g
<b>21SRL4222001</b>	9V~12V	12V	0.8/Phase				

### Specification 21SRL4222001



No.	COLOR	1	2	3	4
1	BLU	-	-	-	-
2	ORG	-	-	-	-
3	RED	+	+	+	+
4	RED	+	+	+	+
5	BLK	-	-	-	-
6	YEL	-	-	-	-

