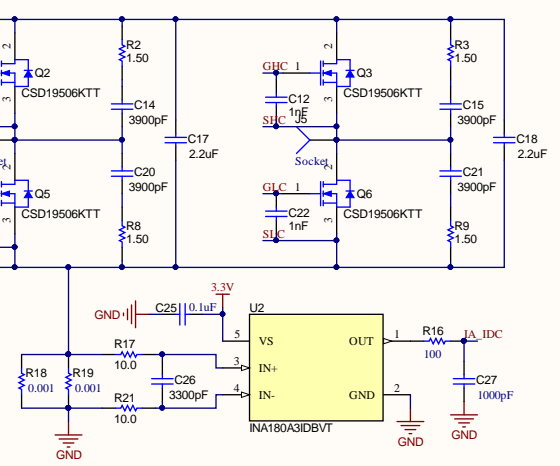
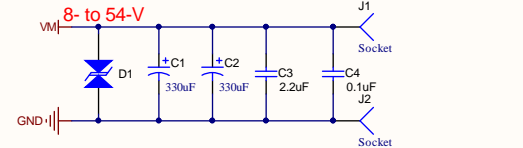
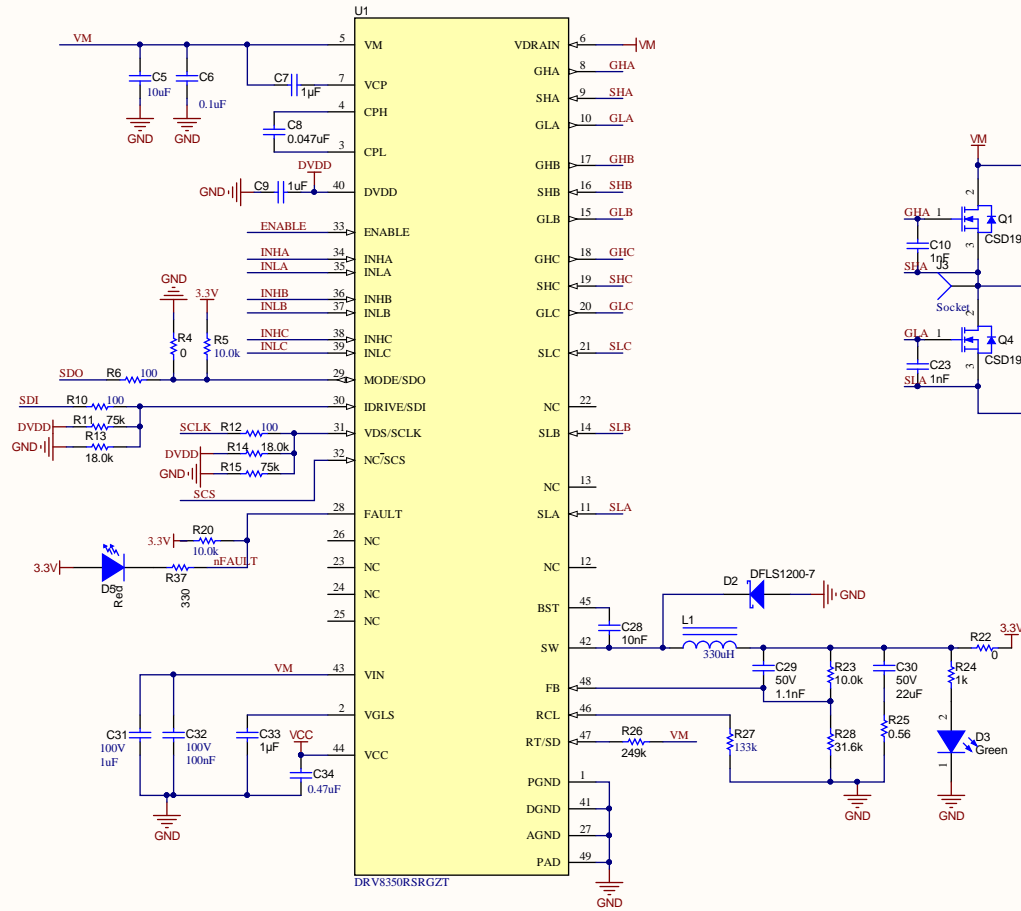
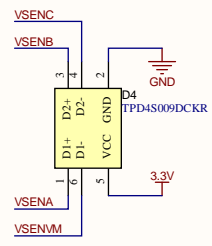
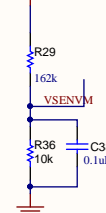
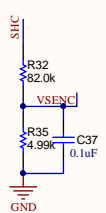
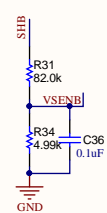
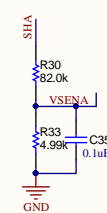
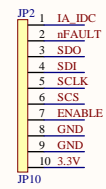
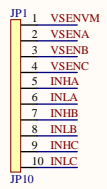


### Three Phase gate Driver

### Three Phase Inverter with Current Sensing



### DC bus and BEMF Voltage Sensing



Title		
Size	Number	Revision
A3		
Date:	07/10/2023	Sheet of
File:	D:\OneDrive\MDNN_V3.SchDoc	Drawn By:

A

A

B

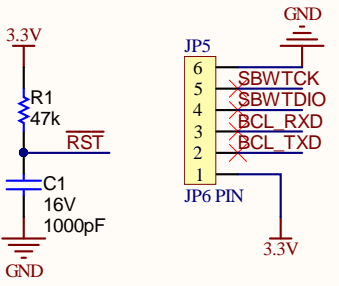
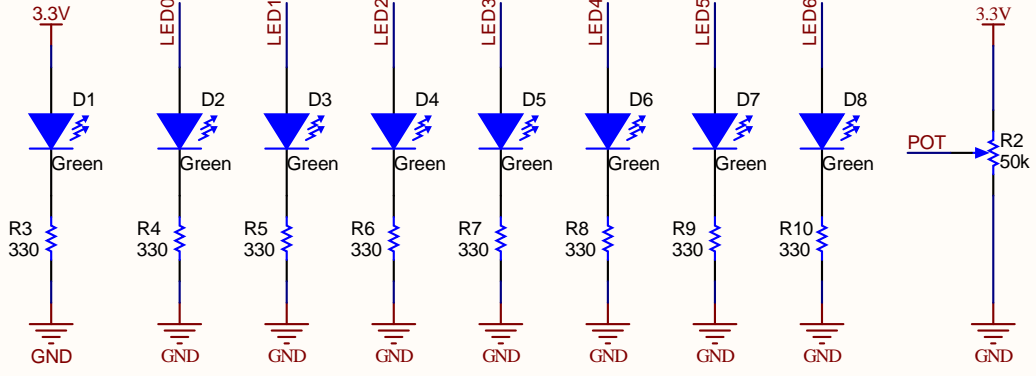
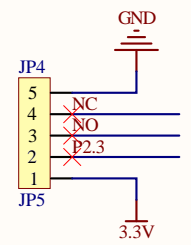
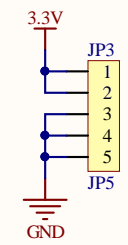
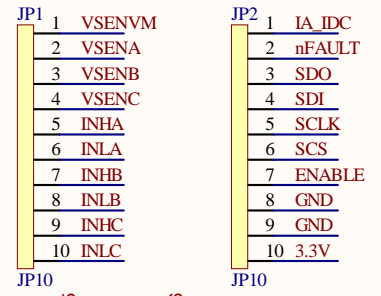
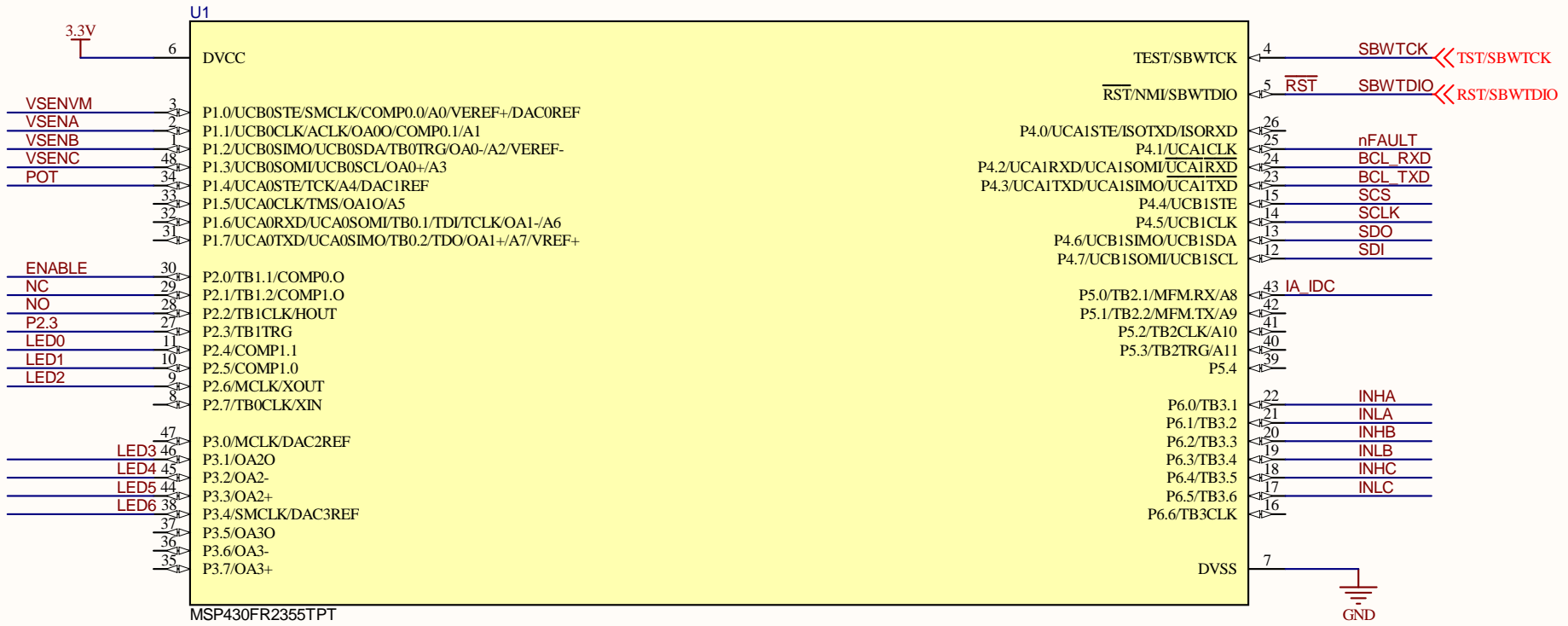
B

C

C

D

D



Title		
Size	Number	Revision
A		
Date:	07/10/2023	Sheet of
File:	D:\OneDrive\...\Sheet1.SchDoc	Drawn By: