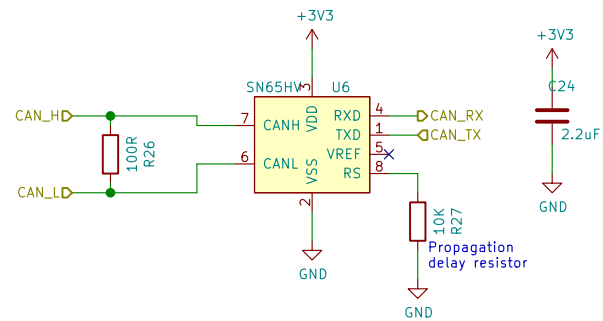


Sheet: /DRV8301/		File: DRV8301.sch	
Title:			
Size: A4	Date:	Rev:	
KiCad E.D.A. kicad (5.1.10)-1		Id: 2/5	

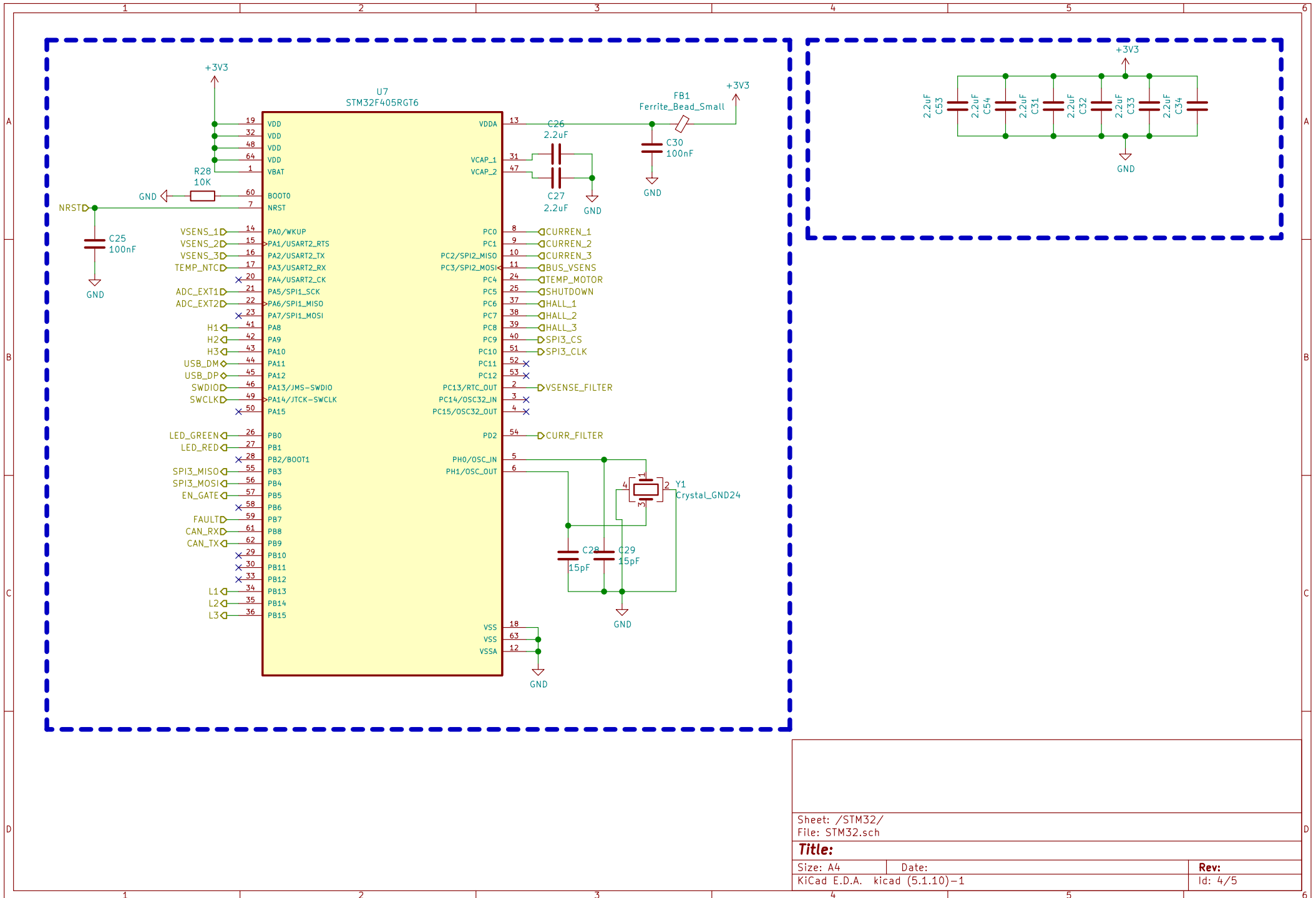


Sheet: /CAN/
 File: CAN.sch

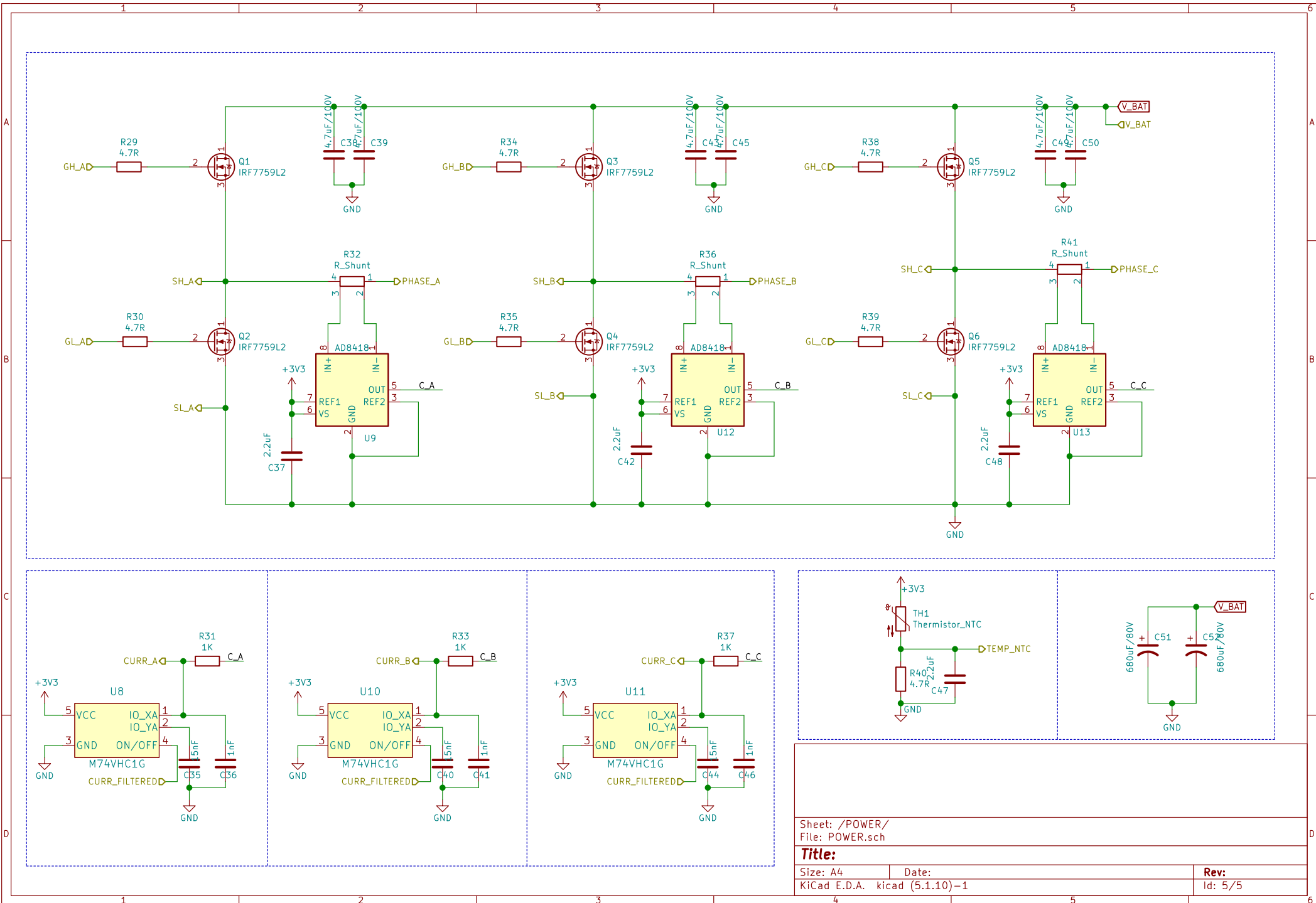
Title:

Size: A4
 KiCad E.D.A. kicad (5.1.10)-1

Date:
 Rev:
 Id: 3/5



Sheet: /STM32/	
File: STM32.sch	
Title:	
Size: A4	Date:
KiCad E.D.A. kicad (5.1.10)-1	Rev: 4/5



Sheet: /POWER/		File: POWER.sch	
Title:			
Size: A4	Date:		
KiCad E.D.A. kicad (5.1.10)-1		Rev:	Id: 5/5