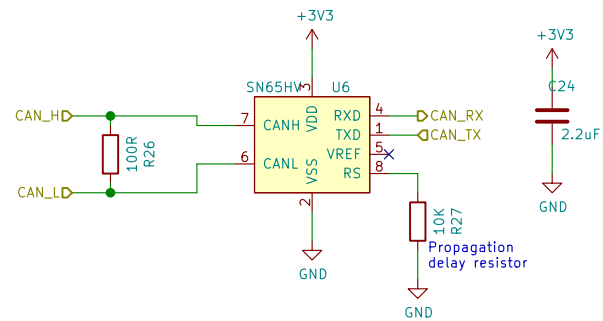


Sheet: /DRV8301/		File: DRV8301.sch	
<b>Title:</b>			
Size: A4	Date:	Rev:	
KiCad E.D.A. kicad (5.1.10)-1		Id: 2/5	

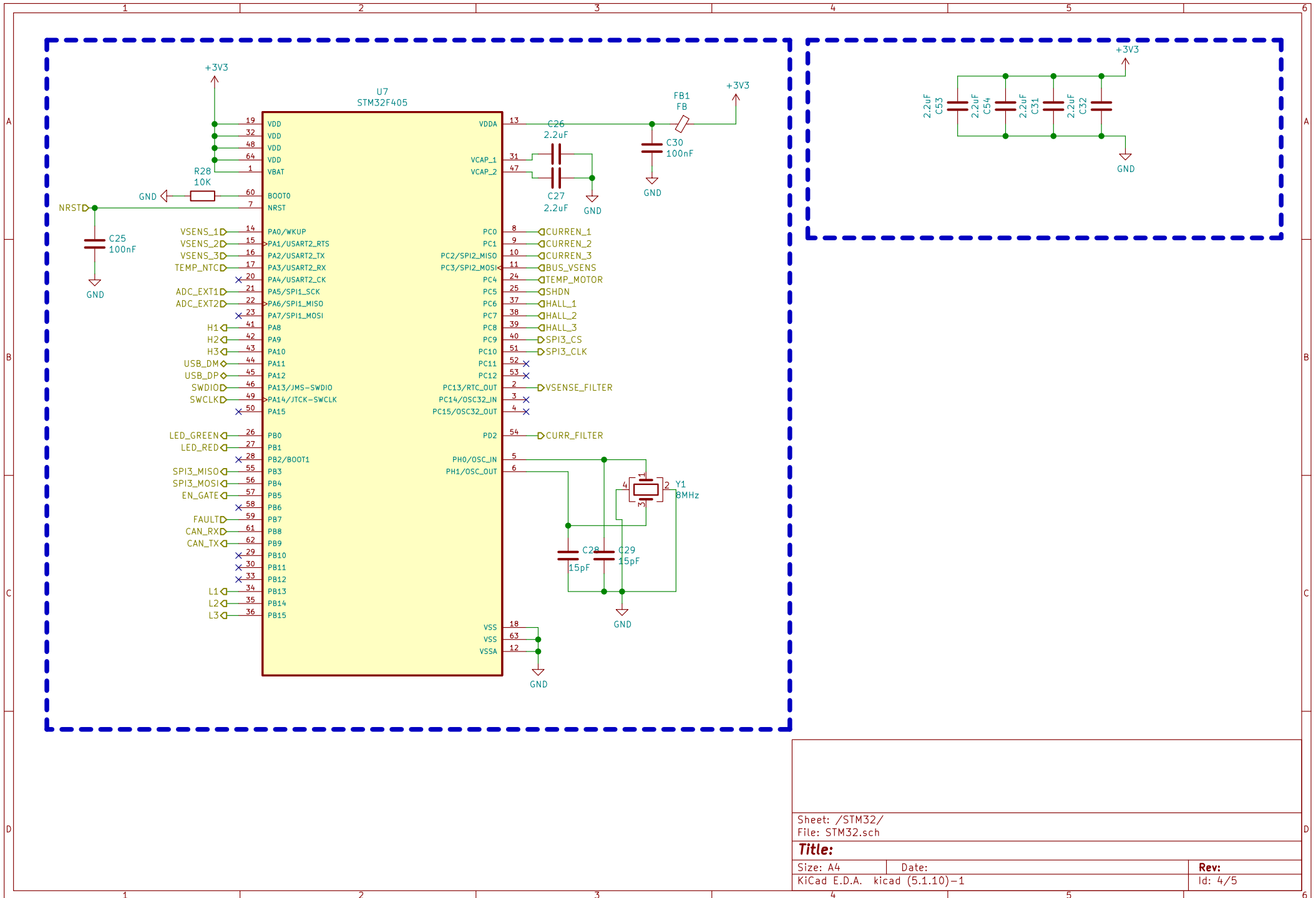


Sheet: /CAN/  
 File: CAN.sch

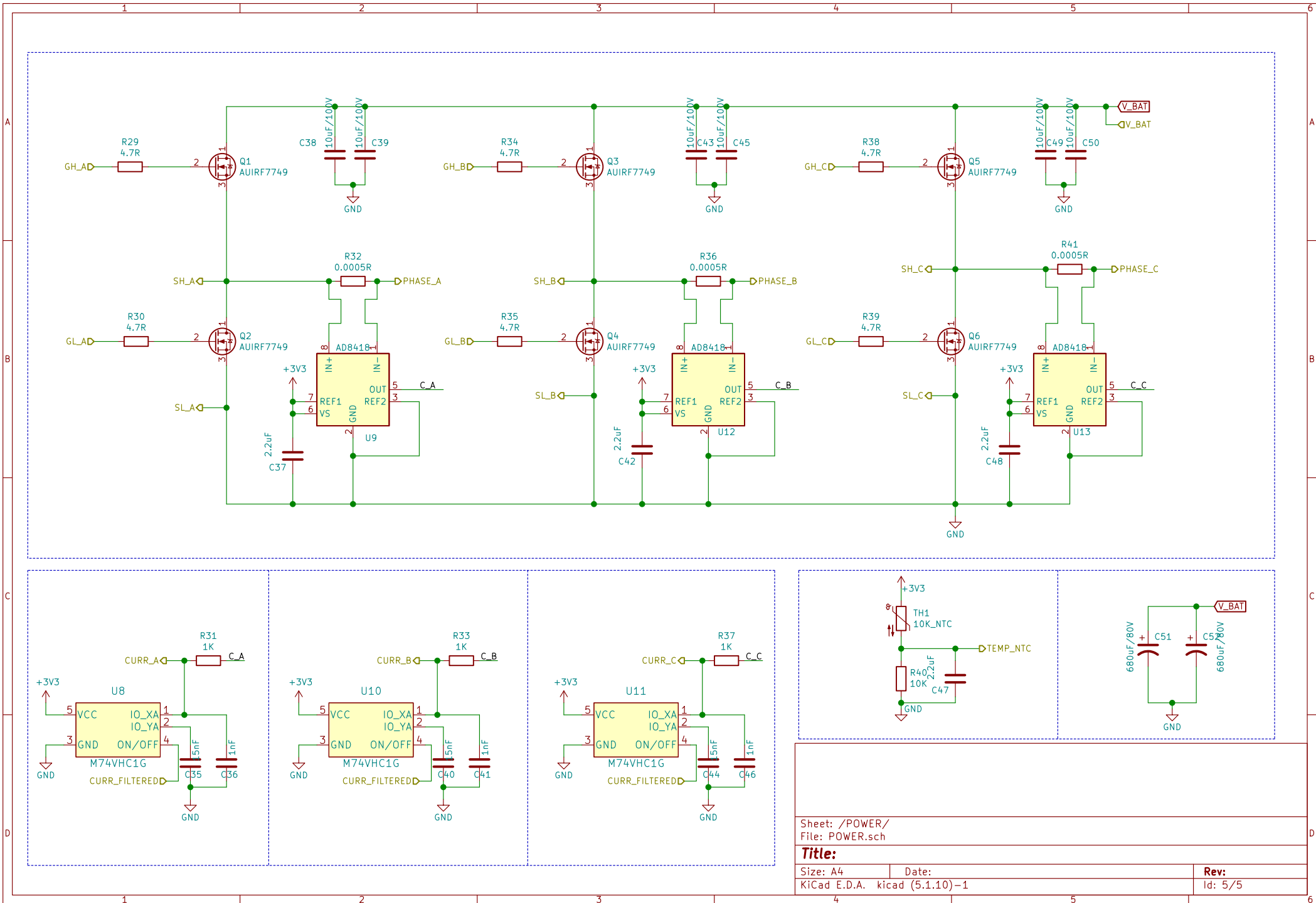
**Title:**

Size: A4 Date:  
 KiCad E.D.A. kicad (5.1.10)-1

**Rev:**  
 Id: 3/5



Sheet: /STM32/	
File: STM32.sch	
<b>Title:</b>	
Size: A4	Date:
KiCad E.D.A. kicad (5.1.10)-1	Rev: 4/5



Sheet: /POWER/	
File: POWER.sch	
<b>Title:</b>	
Size: A4	Date:
KiCad E.D.A. kicad (5.1.10)-1	Rev:
	Id: 5/5