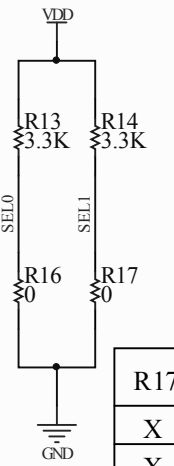
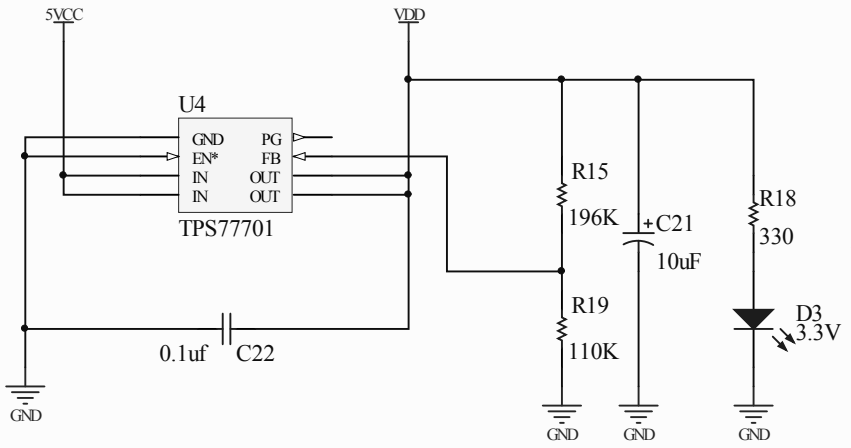
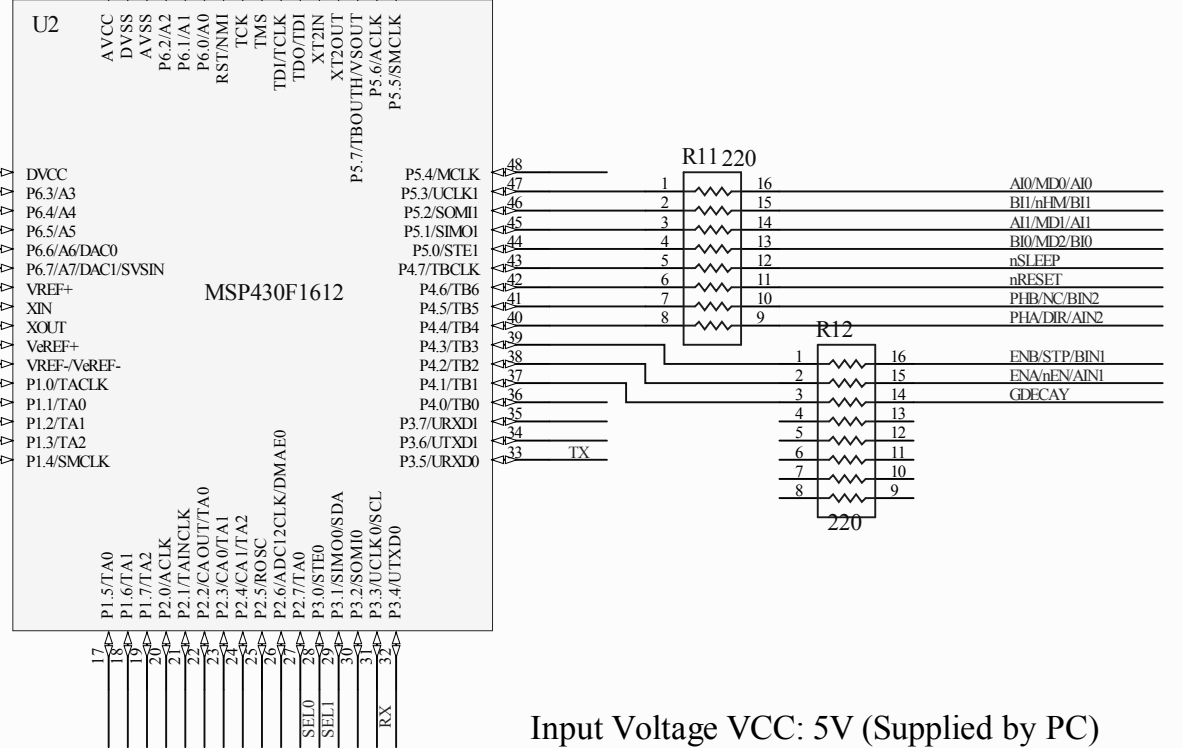
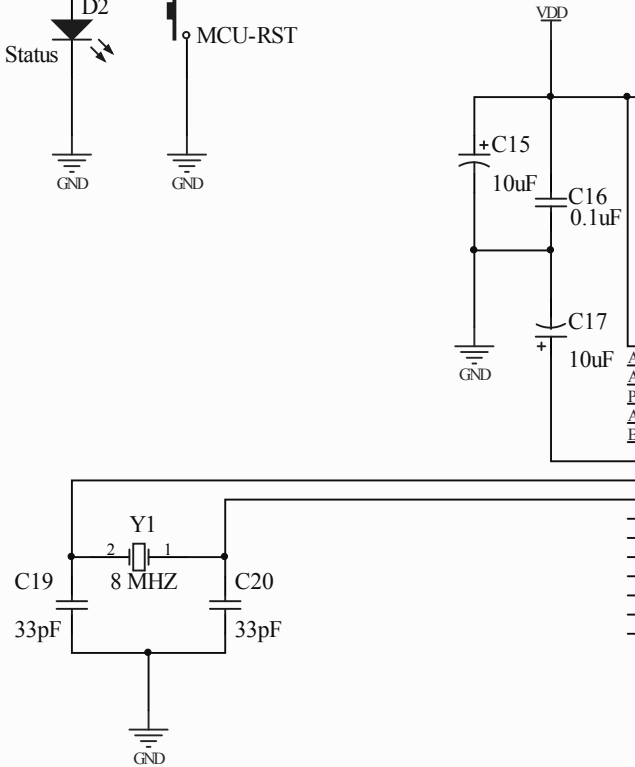
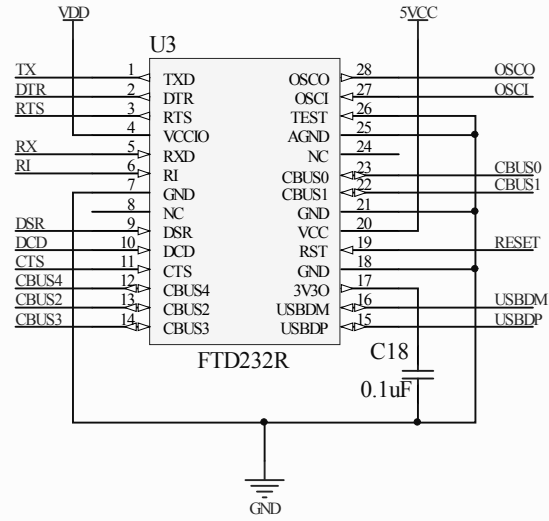
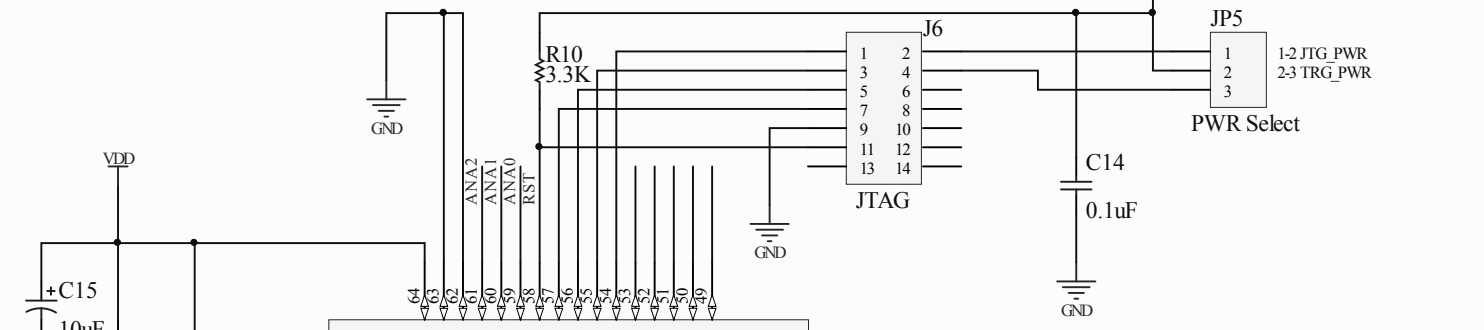
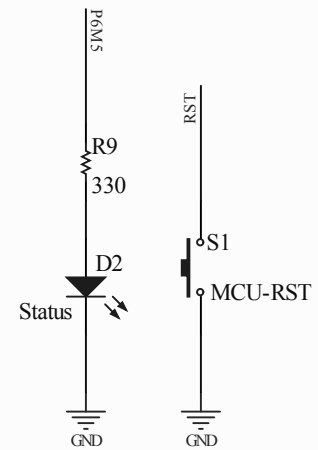
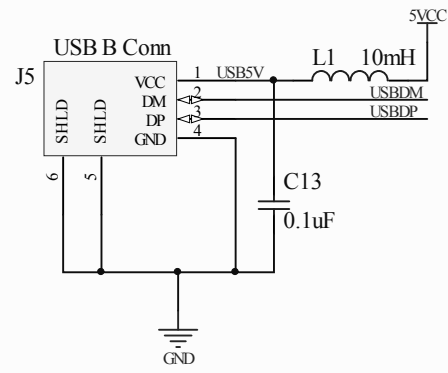


Input Voltage VCC: 5V (Supplied by PC)
 Input Voltage VM: 8V to 45V

Texas Instruments	DRV8802EVM Dual DC Motor Driver (1.5A) with BRAKE		
	DRV8812EVM Dual DC Motor Driver (1.5A)		
DRV8813EVM Dual DC Motor Driver (2.5A)			
DRV8814EVM Dual DC Motor Driver (2.5A) with BRAKE			
DRV8824EVM Bipolar Stepper Driver with Indexer (1.5A)			
DRV8825EVM Bipolar Stepper Driver with Indexer (2.5A)			
DRV8841EVM Quad Half H Bridge (2.5A)			
DRV8843EVM Quad Half H Bridge (2.5A)			

Size B	DWG No. CPG004	Rev A
Sheet		1 of 3

On this document, DRV88xx refers to the DRV8802/12/13/14/24/25/41/43 devices



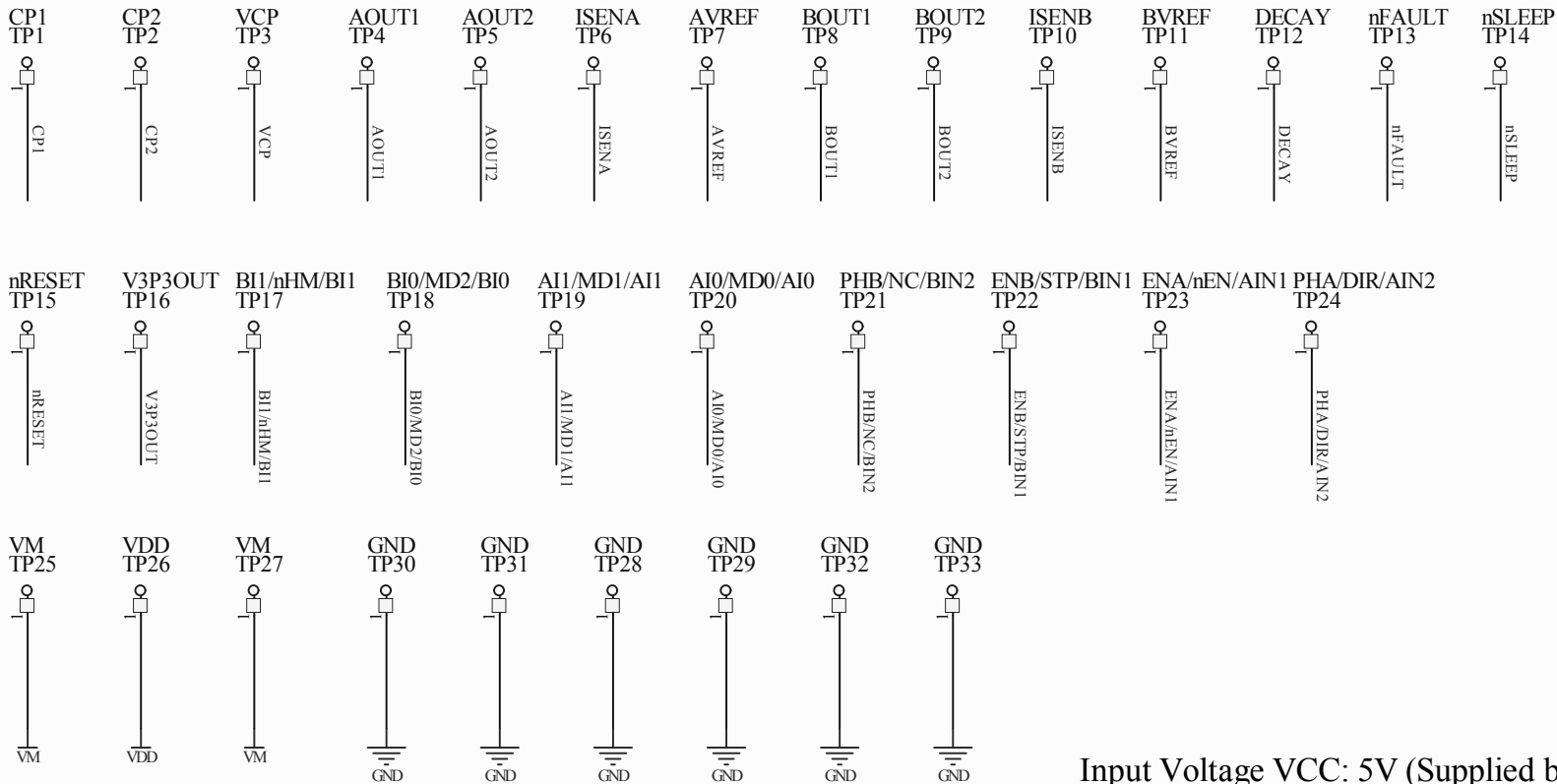
R17	R16	
X	X	Populate for DRV8802/12/13/14
X		Populate for DRV8824/25
	X	Populate for DRV8841/43

Input Voltage VCC: 5V (Supplied by PC)
Input Voltage VM: 8V to 45V

Texas Instruments

- DRV8802EVM Dual DC Motor Driver (1.5A) with BRAKE**
- DRV8812EVM Dual DC Motor Driver (1.5A)**
- DRV8813EVM Dual DC Motor Driver (2.5A)**
- DRV8814EVM Dual DC Motor Driver (2.5A) with BRAKE**
- DRV8824EVM Bipolar Stepper Driver with Indexer (1.5A)**
- DRV8825EVM Bipolar Stepper Driver with Indexer (2.5A)**

- DRV8841EVM Quad Half H Bridge (2.5A)**
- DRV8843EVM Quad Half H Bridge (2.5A)**



Input Voltage VCC: 5V (Supplied by PC)
Input Voltage VM: 8V to 45V

Texas Instruments

DRV8802EVM Dual DC Motor Driver (1.5A) with BRAKE
DRV8812EVM Dual DC Motor Driver (1.5A)
DRV8813EVM Dual DC Motor Driver (2.5A)
DRV8814EVM Dual DC Motor Driver (2.5A) with BRAKE
DRV8824EVM Bipolar Stepper Driver with Indexer (1.5A)
DRV8825EVM Bipolar Stepper Driver with Indexer (2.5A)
DRV8841EVM Quad Half H Bridge (2.5A)
DRV8843EVM Quad Half H Bridge (2.5A)

B		CPG004	A
---	--	---------------	----------