

DC Driver - GlideForce/Stercher (Pololue)_Septol

DC #1

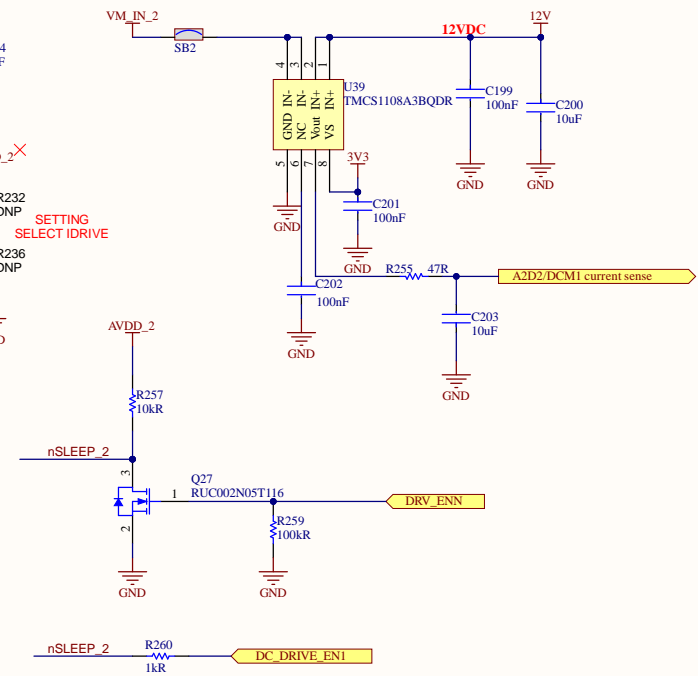
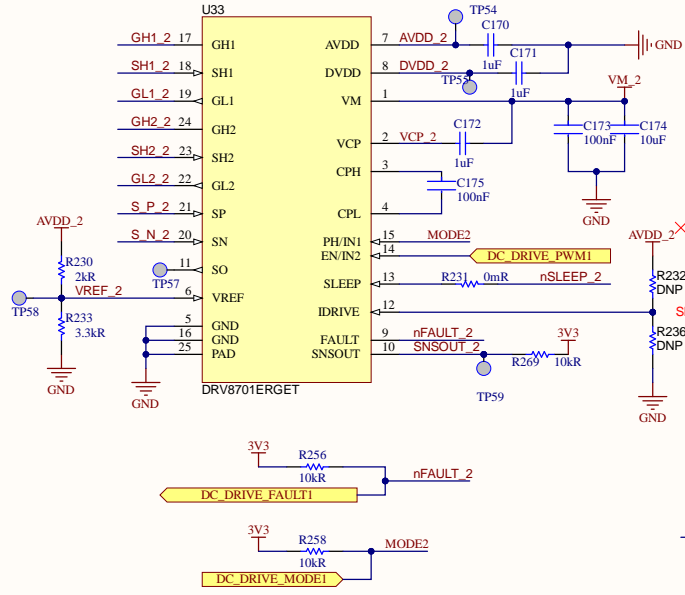
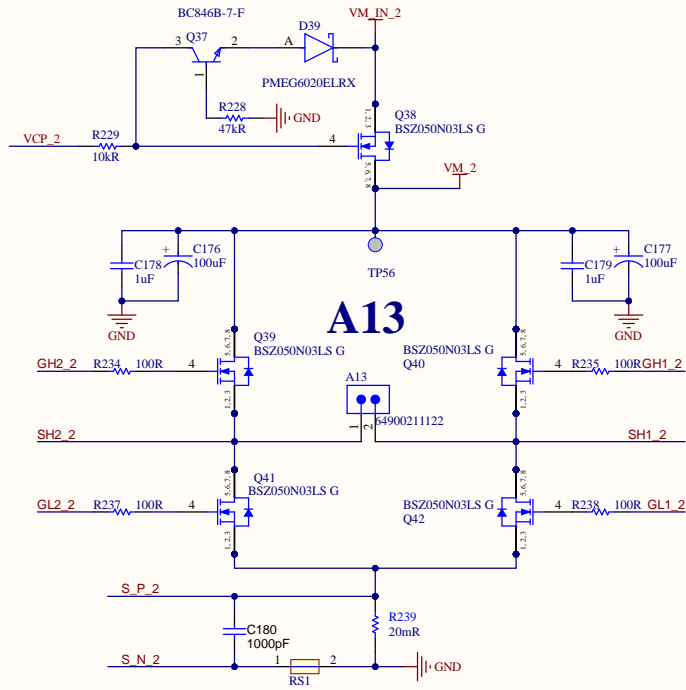


Table 1. DRV8701E (PH/EN) Control Interface

nSLEEP	EN	PH	SH1	SH2	AVDD/DVDD	Description
0	X	X	High-Z	High-Z	Disabled	Sleep mode. H-bridge disabled High-Z
1	0	X	L	L	Enabled	Brake, low-side slow decay
1	1	0	L	H	Enabled	Reverse drive (current SH2 → SH1)
1	1	1	H	L	Enabled	Forward drive (current SH1 → SH2)

Title			ATT287034_Generic Board V2.0.PrgPeb
SIZE	Number	Revision	
A4	4	*	
Data	03/04/2024	Sheet: 4 of: 14	
Drawn:	Ilya Feldman		

