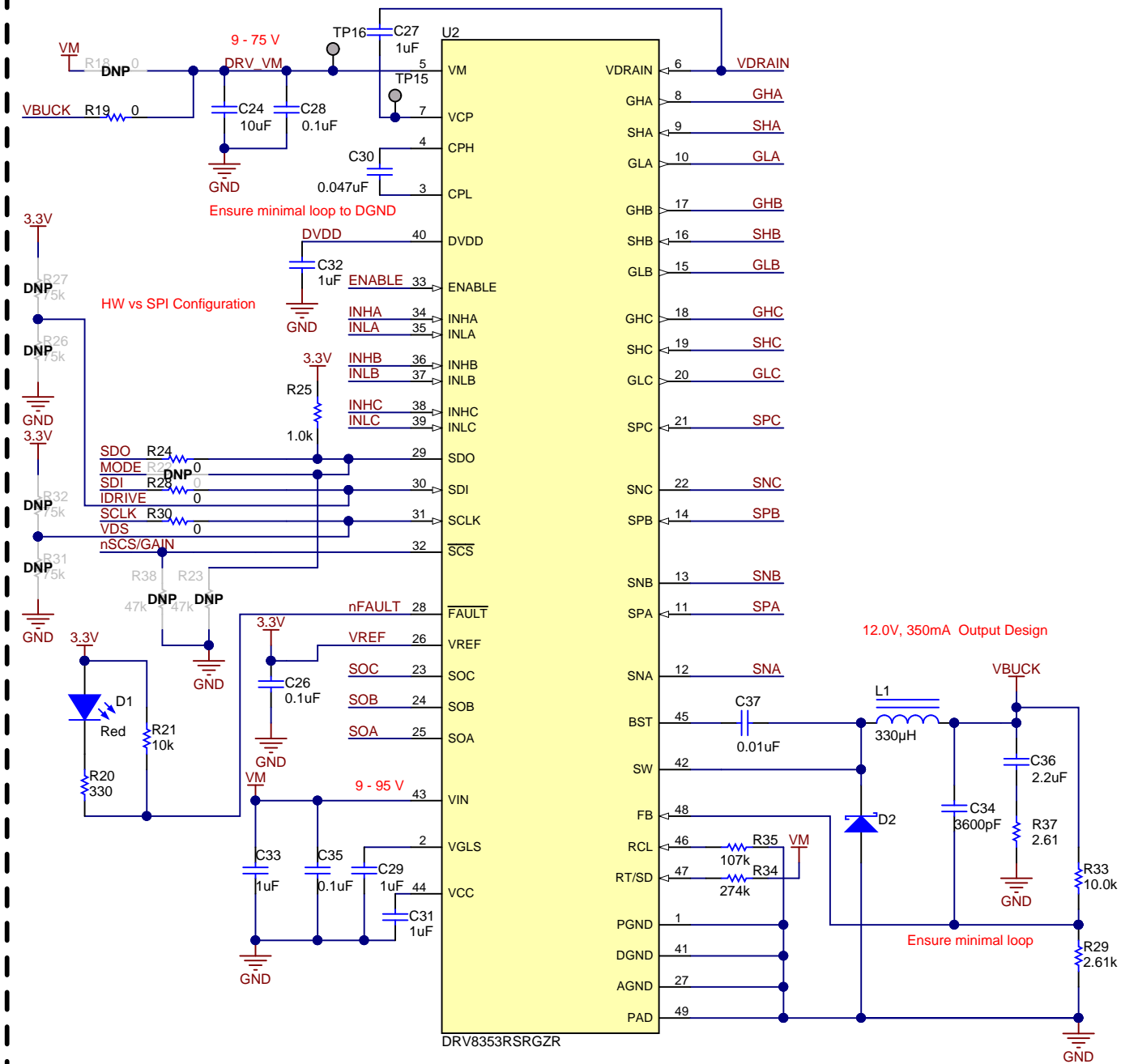
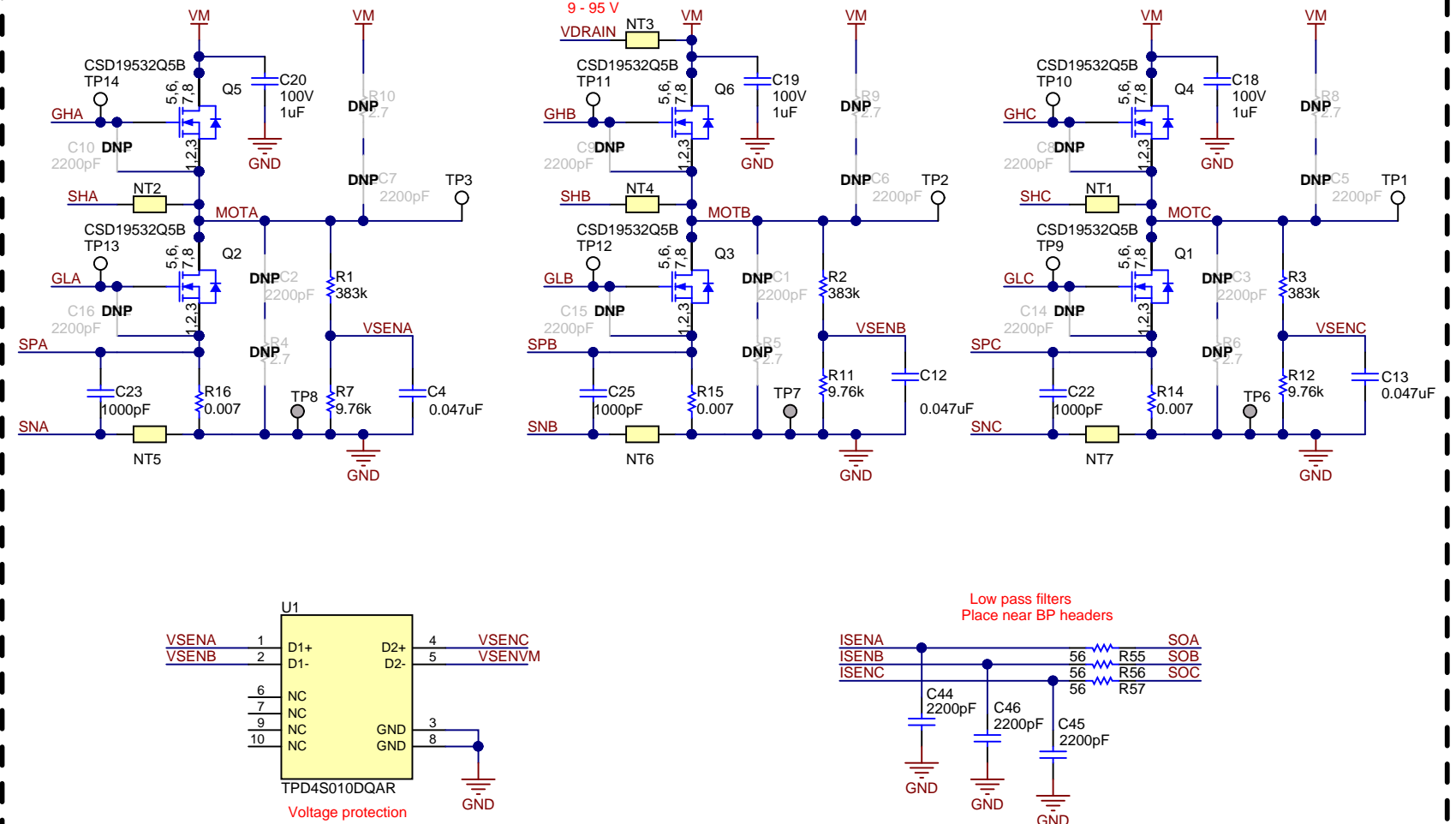


Connect R18 to VM for one supply or
Connect R19 to VBUCK for split rail (DEFAULT)

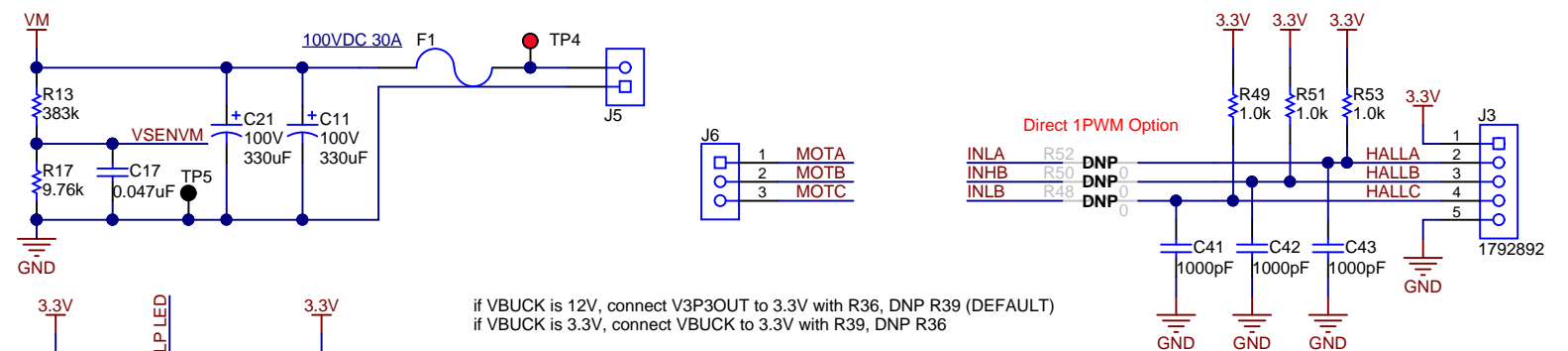
DRV8353RX



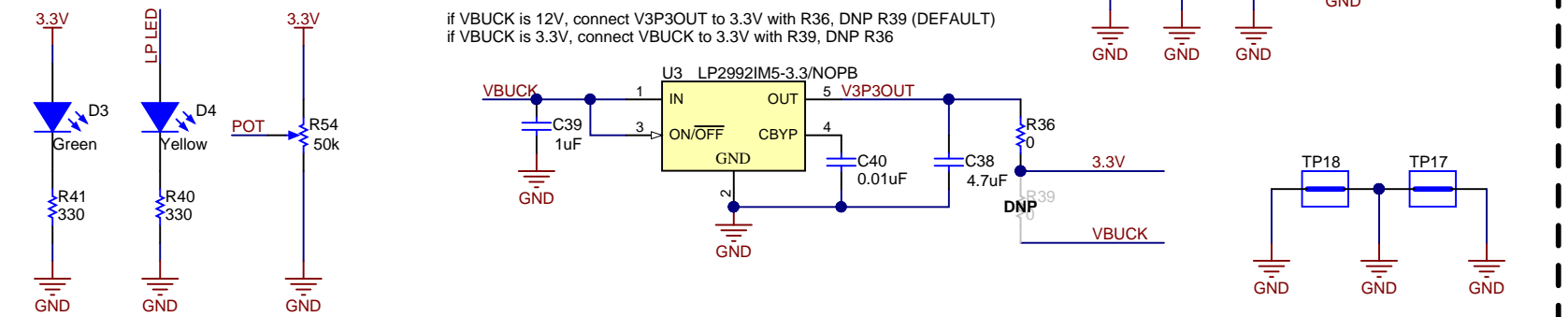
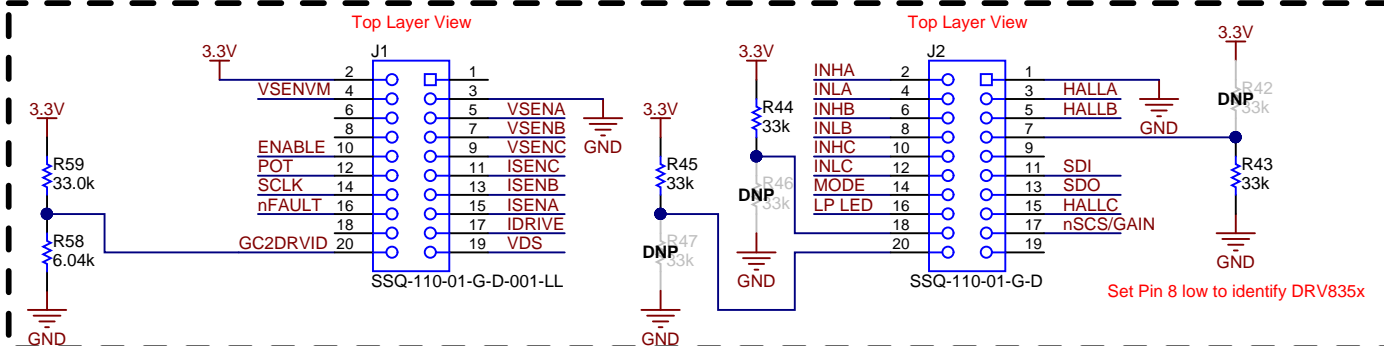
HALF-BRIDGES & SENSE



CONNECTORS & INTERFACE



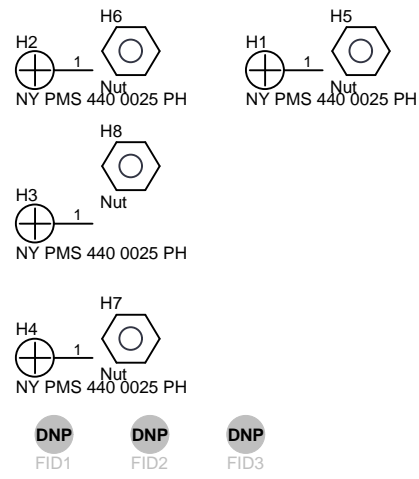
BOARD -> LAUNCHPAD



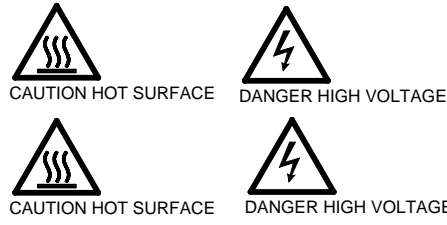
Orderable: DRV8353RS-EVM	Designed for: Public Release	Mod. Date: 7/9/2018
TID #: N/A	Project Title: DRV8353RX 3-Phase Smart Gate Driver EVM	
Number: MD016	Rev: A	Sheet Title:
SVN Rev: Version control disabled	Assembly Variant: 001	Sheet: 2 of 3
Drawn By:	File: MD016A_SchDoc	Size: B
Engineer: Hector Hernandez	Contact: http://www.ti.com/support	

Texas Instruments and/or its licensors do not warrant the accuracy or completeness of this specification or any information contained therein. Texas Instruments and/or its licensors do not warrant that this design will meet the specifications, will be suitable for your application or fit for any particular purpose, or will operate in an implementation. Texas Instruments and/or its licensors do not warrant that the design is production worthy. You should completely validate and test your design implementation to confirm the system functionality for your application.





!PCB2
MECH
MechPart



Logo7
PCB
LOGO
CAUTION. READ USER GUIDE BEFORE USE

PCB Number: MD016
PCB Rev: A



LBL1
PCB Label
THT-14-423-10
Size: 0.65" x 0.20 "

ZZ1
Label Assembly Note
This Assembly Note is for PCB labels only

Variant/Label Table	
Variant	Label Text
001	DRV8353RS-EVM
002	DRV8353RH-EVM

ZZ2
Assembly Note
These assemblies are ESD sensitive, ESD precautions shall be observed.

ZZ3
Assembly Note
These assemblies must be clean and free from flux and all contaminants. Use of no clean flux is not acceptable.

ZZ4
Assembly Note
These assemblies must comply with workmanship standards IPC-A-610 Class 2, unless otherwise specified.

Orderable: DRV8353RS-EVM	Designed for: Public Release	Mod. Date: 7/10/2018
TID #: N/A	Project Title: DRV8353RX 3-Phase Smart Gate Driver EVM	
Number: MD016	Rev: A	Sheet Title:
SVN Rev: Version control disabled	Assembly Variant: 001	Sheet: 3 of 3
Drawn By:	File: MD016A_Hardware.SchDoc	Size: B
Engineer: hector Hernandez	Contact: http://www.ti.com/support	

Texas Instruments and/or its licensors do not warrant the accuracy or completeness of this specification or any information contained therein. Texas Instruments and/or its licensors do not warrant that this design will meet the specifications, will be suitable for your application or fit for any particular purpose, or will operate in an implementation. Texas Instruments and/or its licensors do not warrant that the design is production worthy. You should completely validate and test your design implementation to confirm the system functionality for your application.