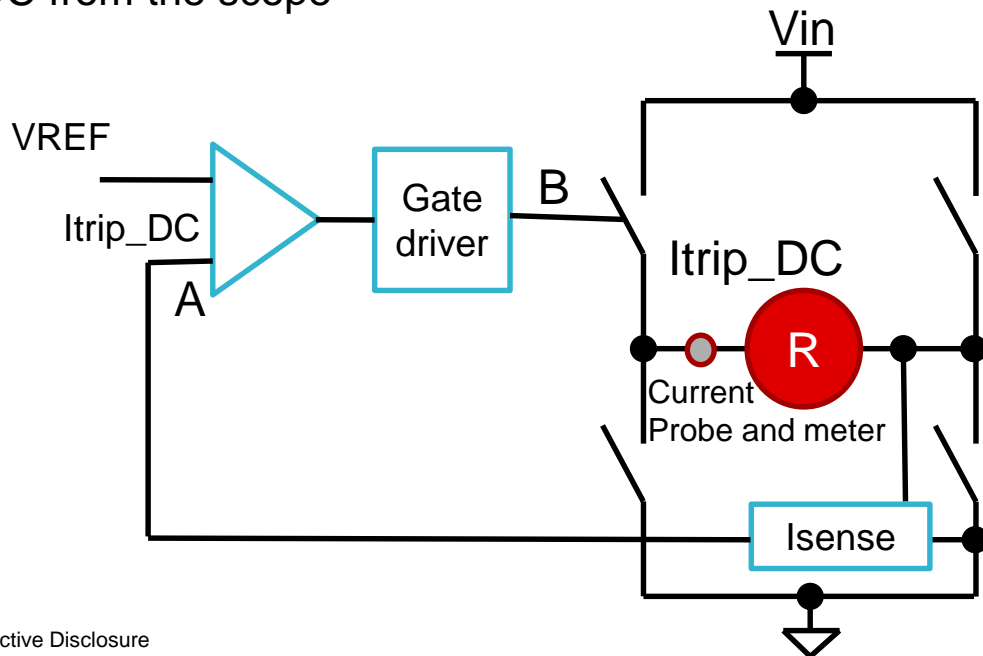


Itrip_DC measurement method:

Put a current meter (Agilent 34401A) and a power resistor on the DRV84xx's output;
Monitor/measure VREF; IOOUT and VOUT;
Slowly increasing the input voltage until VOUT drops. Record the VREF, Itrip_DC from meters
and Itrip_DC from the scope



: Itrip_DC test waveform template

Ch1 (yellow): VOUT; Ch2 (blue): VREF; Ch4 (green): Current

