

# TI P/N: DRV8805PWPR

問題如下

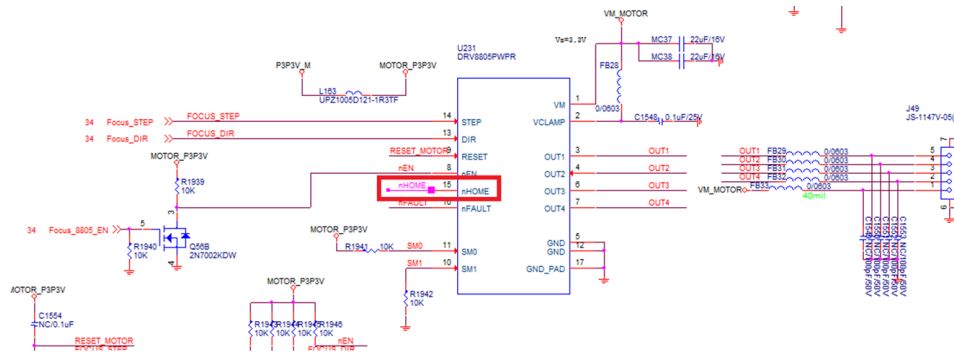
請問drv8805 如何知道nHOME 點?

這pin要如何應用

STATUS					
nFAULT	20	16	OD	Fault	Logic low when in fault condition (overtemp, overcurrent)
nHOME	19	15	OD	Home	Logic low when indexer is at home position – push-pull structure
OUTPUT					
OUT1	3	3	O	Output 1	Connect to load 1
OUT2	4	4	O	Output 2	Connect to load 2
OUT3	8	6	O	Output 3	Connect to load 3
OUT4	9	7	O	Output 4	Connect to load 4
VCLAMP	2	2	—	Output clamp voltage	Connect to VM supply, or Zener diode to VM supply

(1) Directions: I = input, O = output, OD = open-drain output

## Schematic chart indication:



Thanks