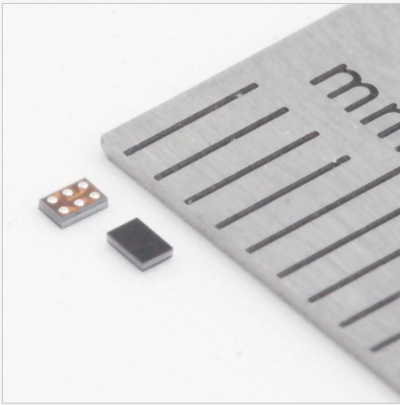


10 bit VCM Driver IC with I²C

DW9714V is designed for linear control of Voice Coil Motors (VCM). DW9714V has a single 10-bit DAC with 120mA output current sink capability. This device features Smart Actuator Control(SAC™) mode which can minimize the mechanical vibration and achieve faster mechanical settling time.

DW9714V operates from 2.3V to 4.3V supply. The internal DAC is controlled via I²C serial interface that operates at clock rate up to 1MHz. DW9714V offers Power Down(PD) mode with current consumption less than 1uA.

DW9714V can be used for auto focus applications in mobile cameras, digital cameras, web cameras and action cameras.



Features

120mA output driver with 10-bit resolution DAC

Smart Actuator Control (SAC™) modes

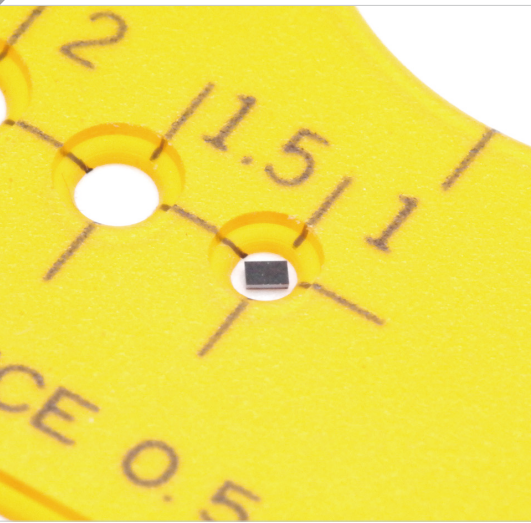
Supply voltage (V_{DD}): 2.3V to 4.3V

I/O voltage (V_{IN}): 1.8V to V_{DD}

Fast Mode and Fast Mode Plus I²C interface compatible

Power On Reset (POR)

Power Down (PD) mode current consumption less than 1uA



6 pin WLCSP

W 0.77 mm
 H 1.14 mm
 D 0.30 mm

Applications

Mobile phone

Digital camera

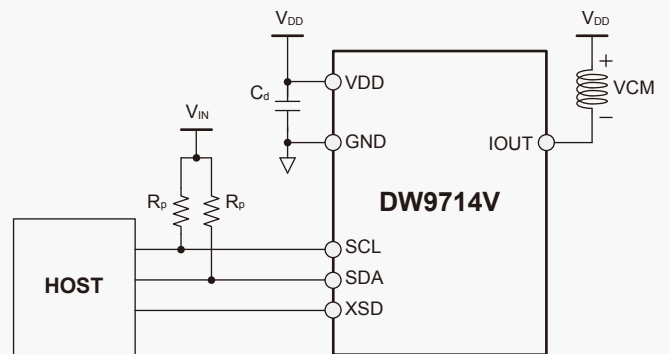
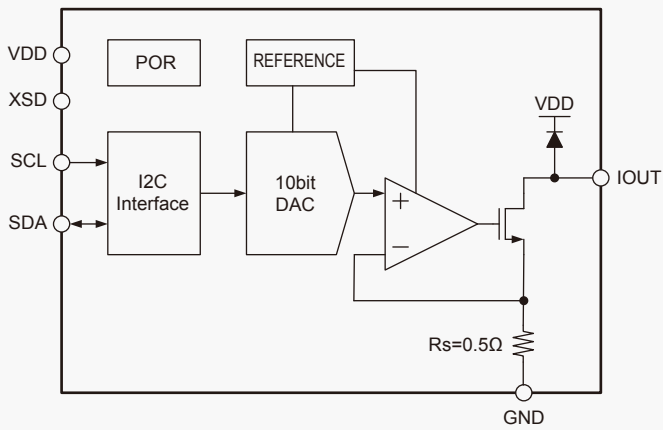
Action camera

Web camera

Drone

AR/VR camera

Typical Application



Block Diagram

