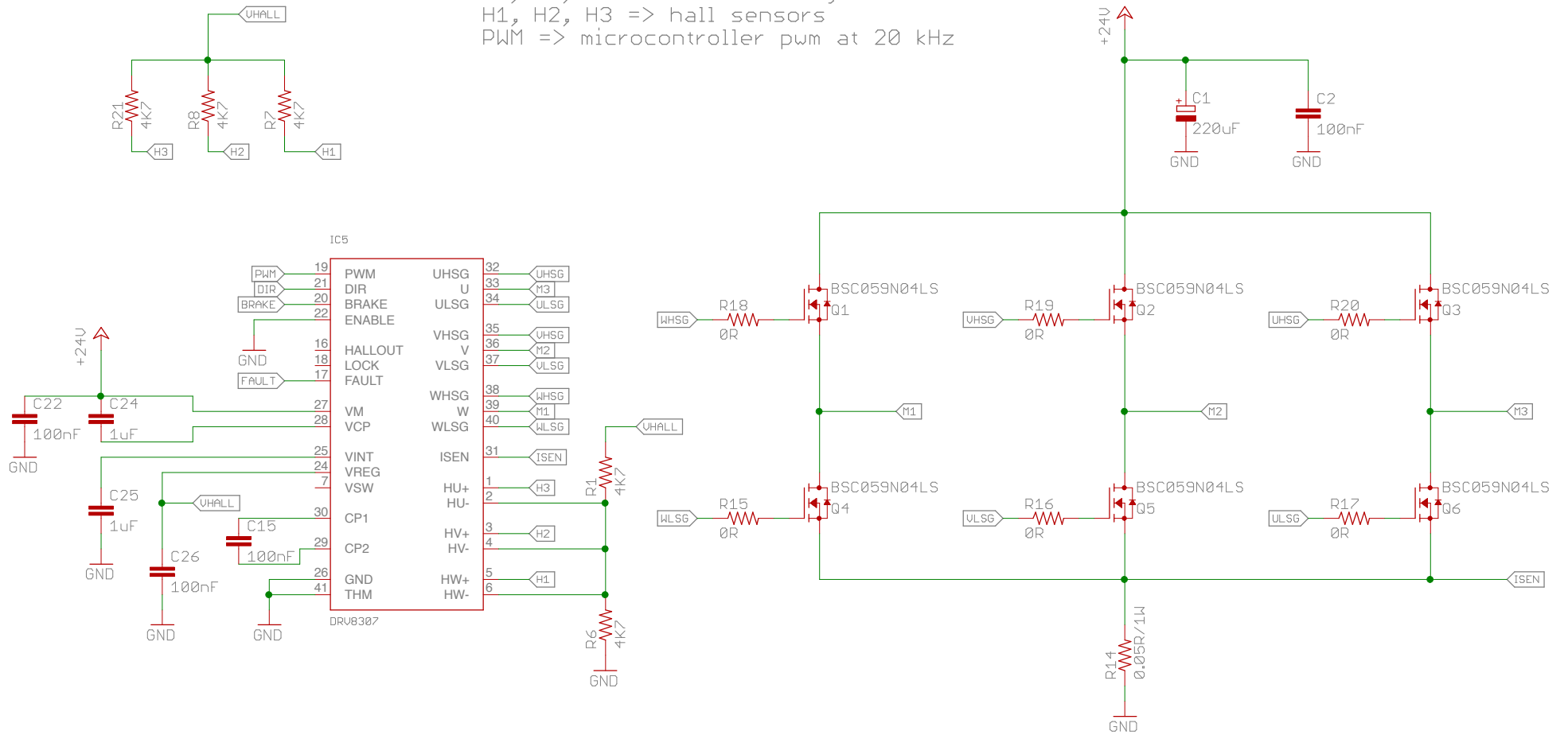


M1, M2, M3 => motor windings
H1, H2, H3 => hall sensors
PWM => microcontroller pwm at 20 kHz



PROJECT:		AUTHOR:	
DESCRIPTION:			
DATE:	SHEET:	REV:	