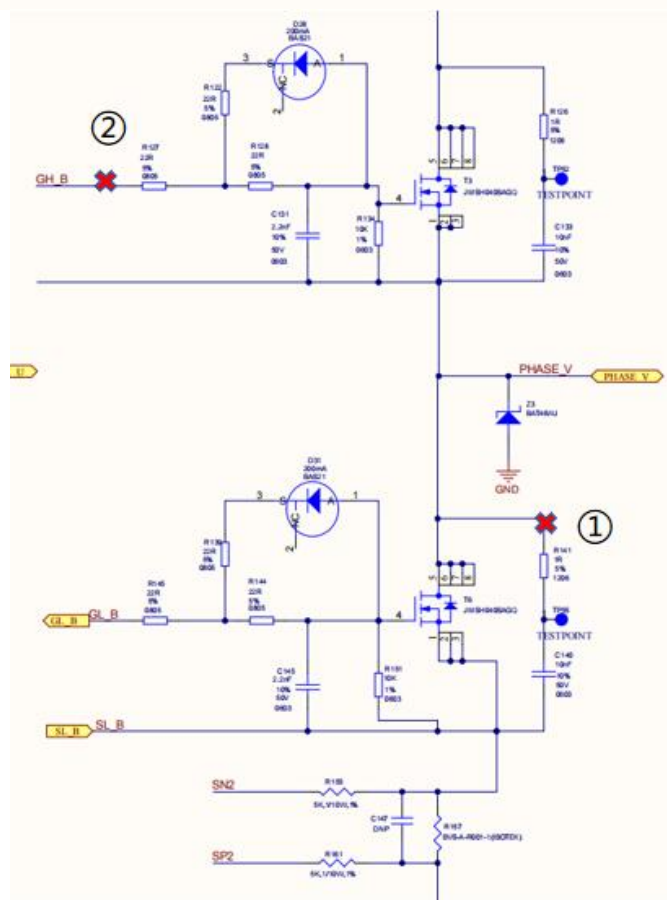
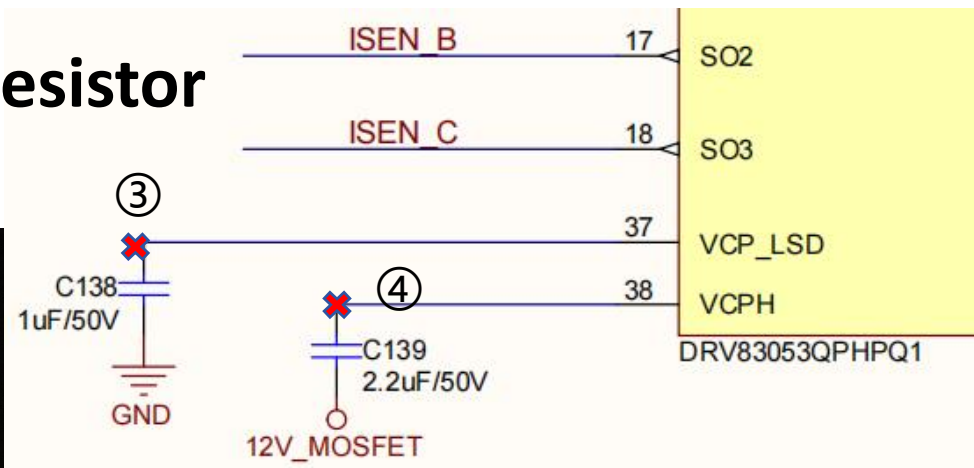


(2*) SHx/GHxS/VCP_LSD/VCPH @ removed G-resistor



①CH1_Yellow SHx (@R141) <0V - 12V>

③CH3_Red VCP_LSD (@C138) <0V-12V>

②CH2_Blue GHx (@R127) <0V - 12V>

④CH4_Green VCPH (@C139) <12V-23V>

(2*) SHx/GHxS/VCP_LSD/VCPH @ removed G-resistor

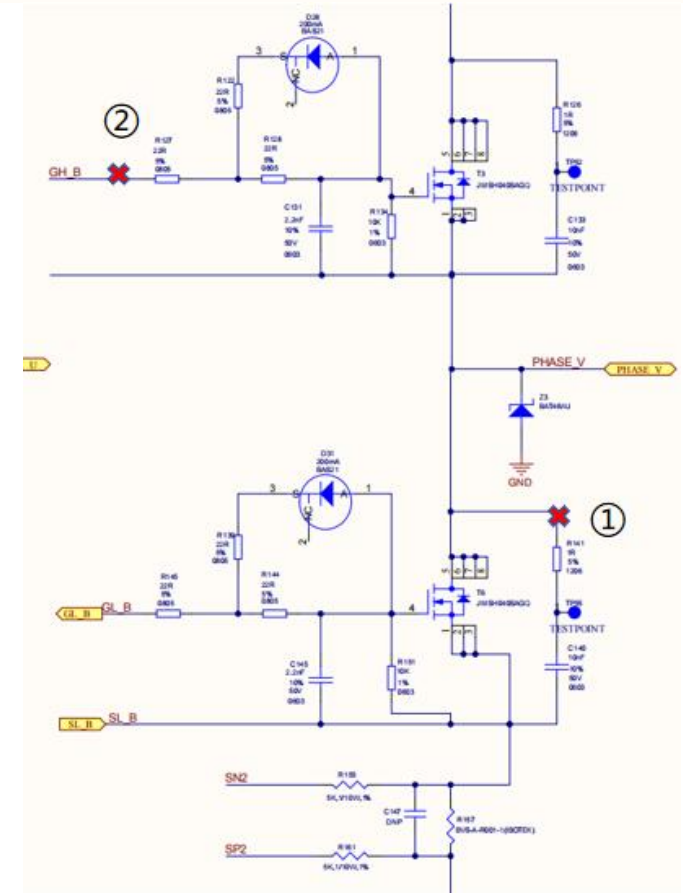
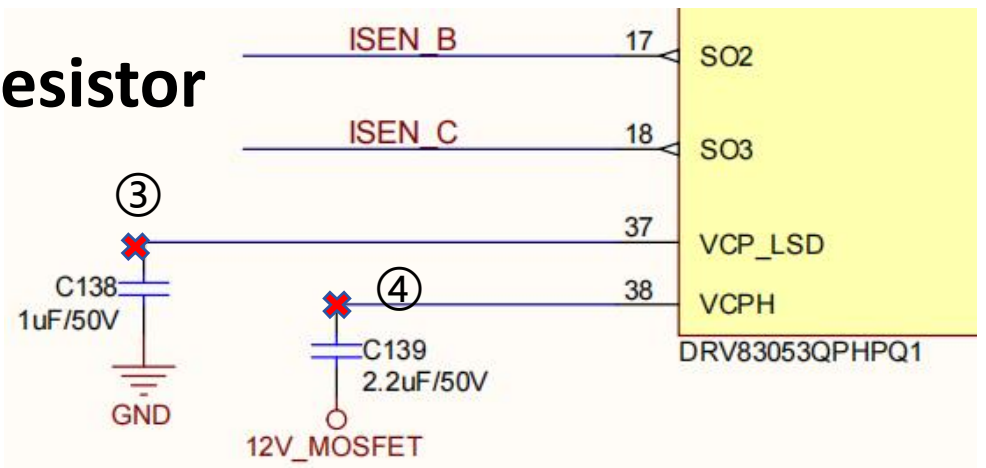


①CH1_Yellow SHx (@R141)
<0V - 12V>

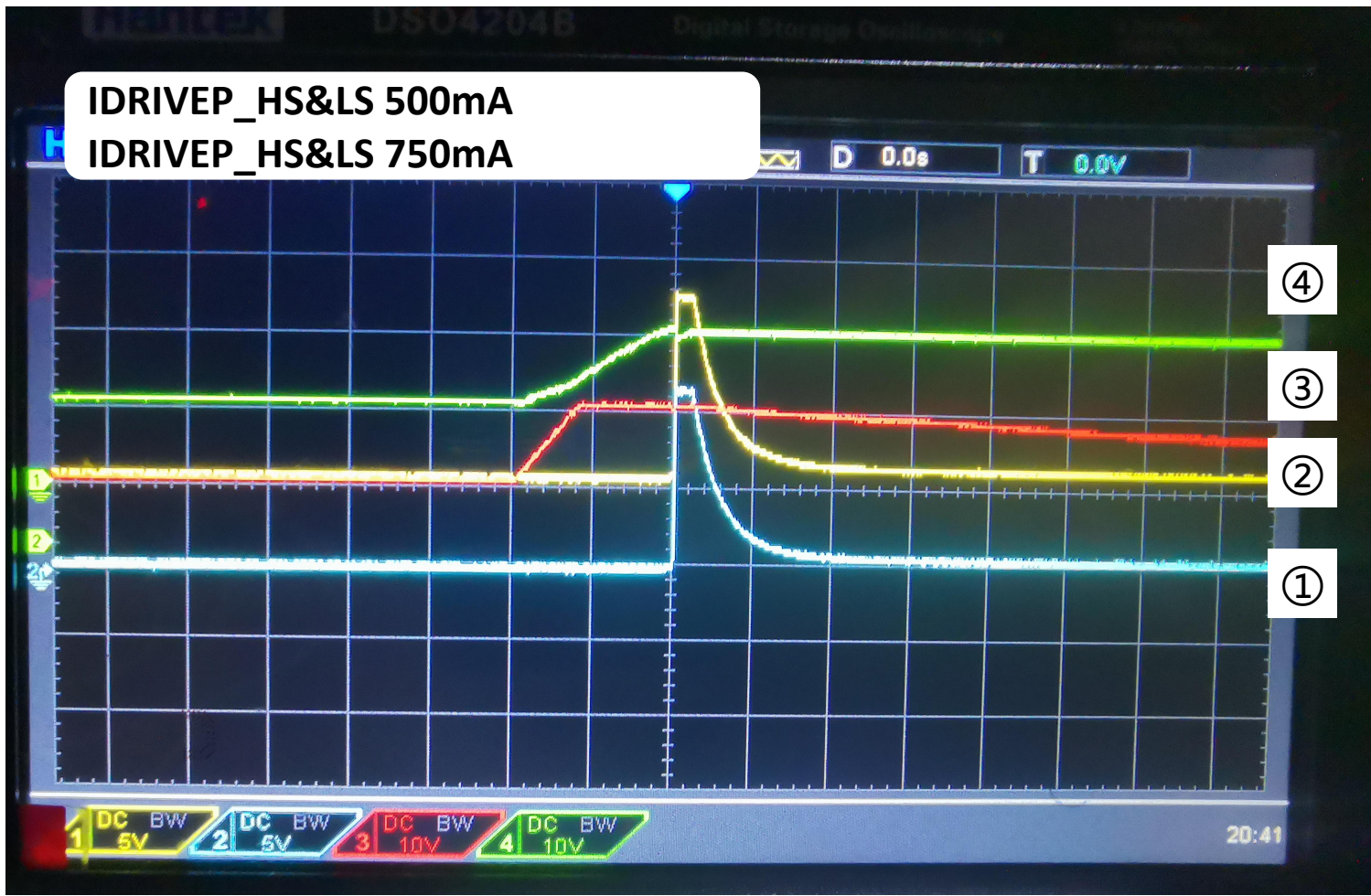
②CH2_Blue GHx (@R127)
<0V - 12V>

③CH3_Red VCP_LSD (@C138)
<0V-12V>

④CH4_Green VCPH (@C139)
<12V-23V>



(2*) SHx/GHxS/VCP_LSD/VCPH @ removed G-resistor



IDRIVEP_HS&LS 500mA
IDRIVEP_HS&LS 750mA

④
③
②
①

①CH1_Yellow SHx (@R141)
<0V - 12V>

②CH2_Blue GHx (@R127)
<0V - 12V>

③CH3_Red VCP_LSD (@C138)
<0V-12V>

④CH4_Green VCPH (@C139)
<12V-23V>

