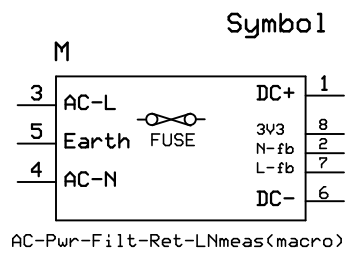
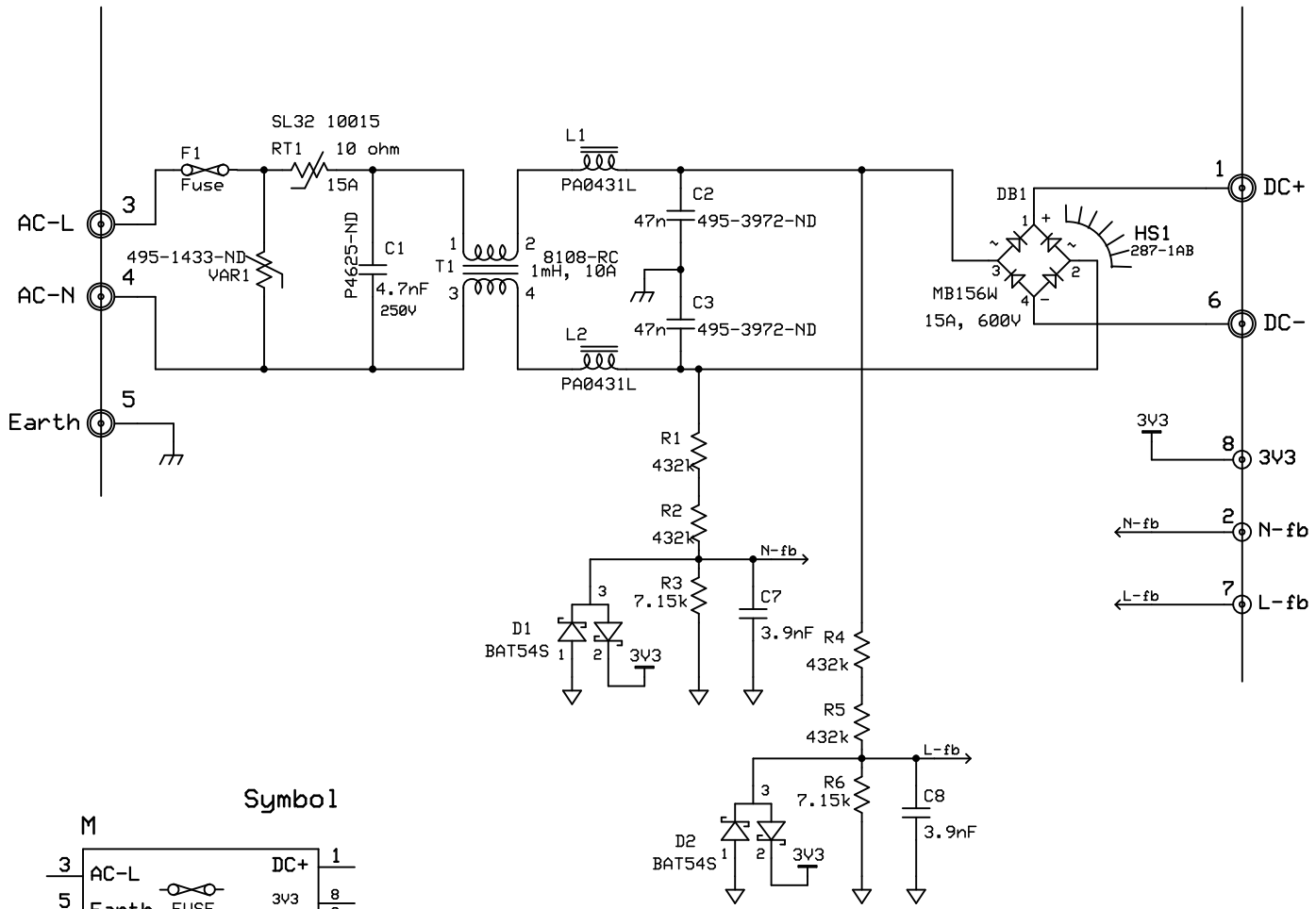


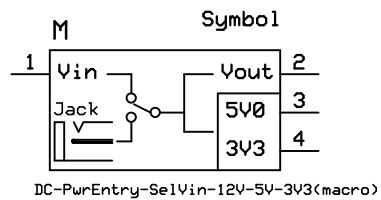
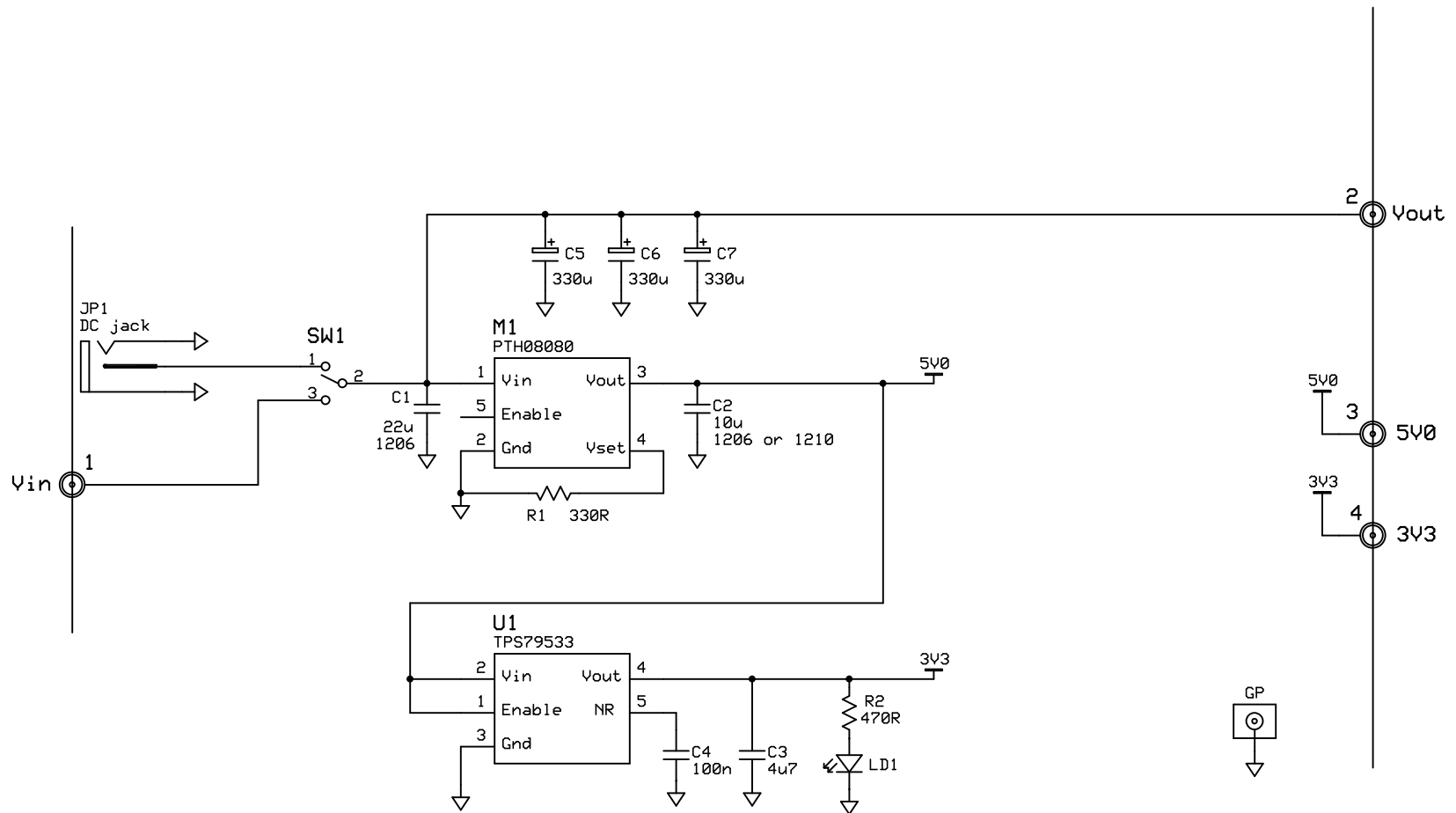
M

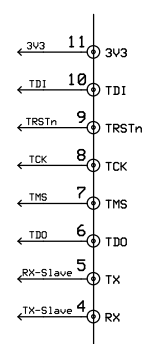
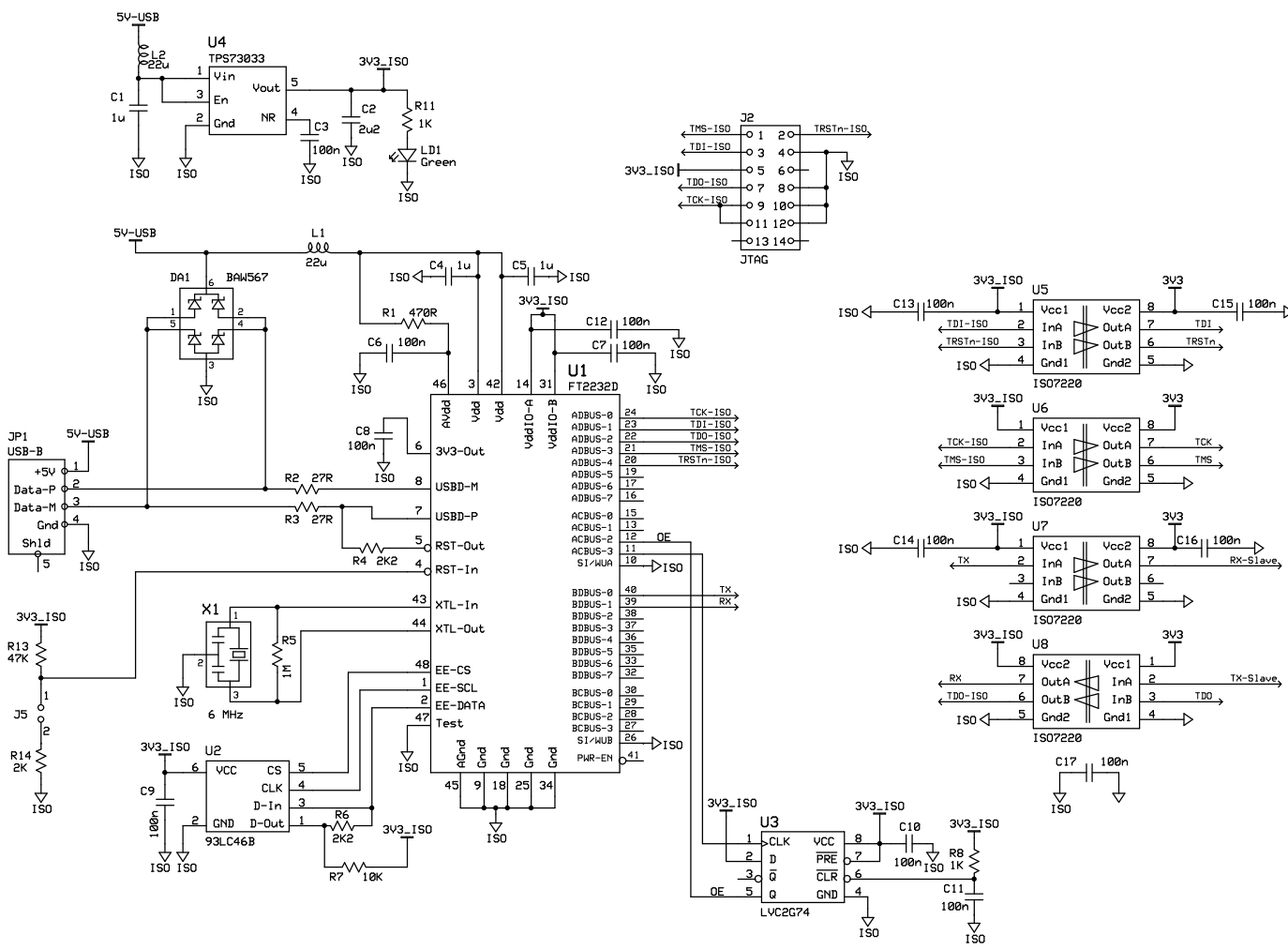
1	PfcIn+	PfcOut	9
2	12V0	Vfb	8
3	3V3	Ifb	7
4	PWM-1		
5	PWM-2	PGND	11
6	PfcIn-	GND	10

PFC2PhIL-1Shunt

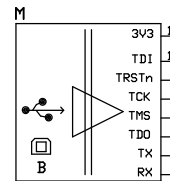
All Res near op-amp 1%
(Kelvin GND at R18, R6, R8)







Symbol



ISO-USB-to-JTAG-II (macro)