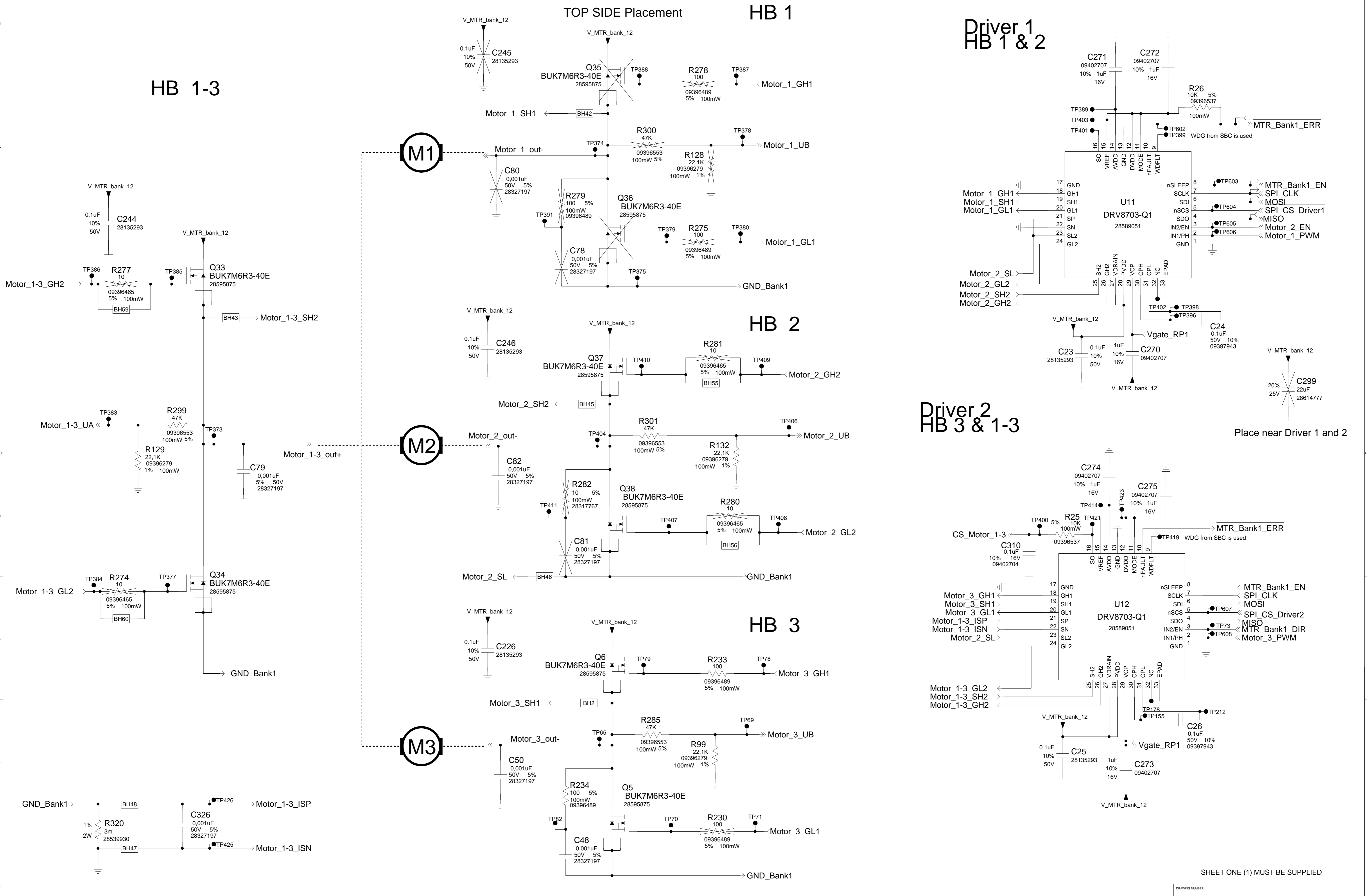
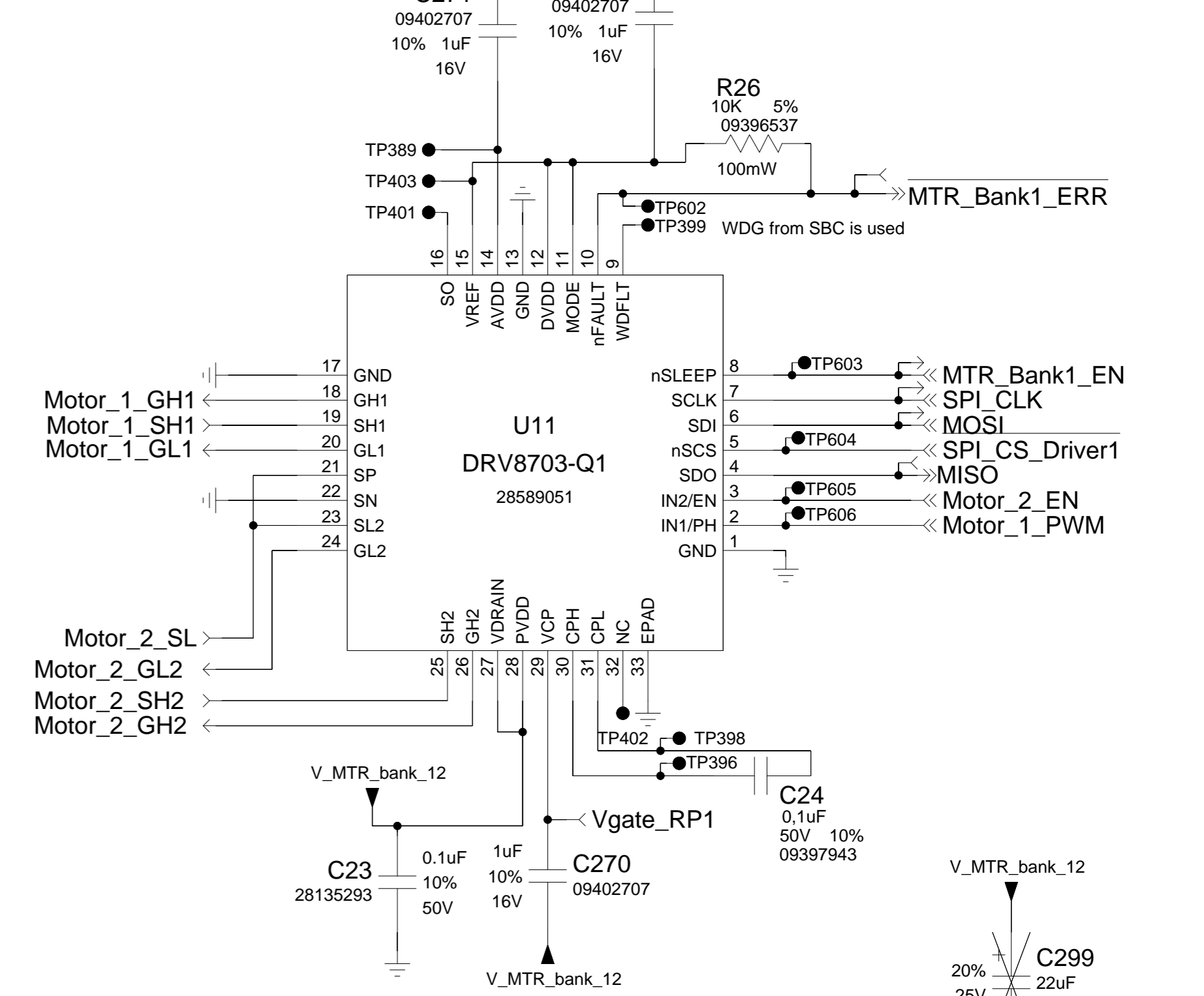


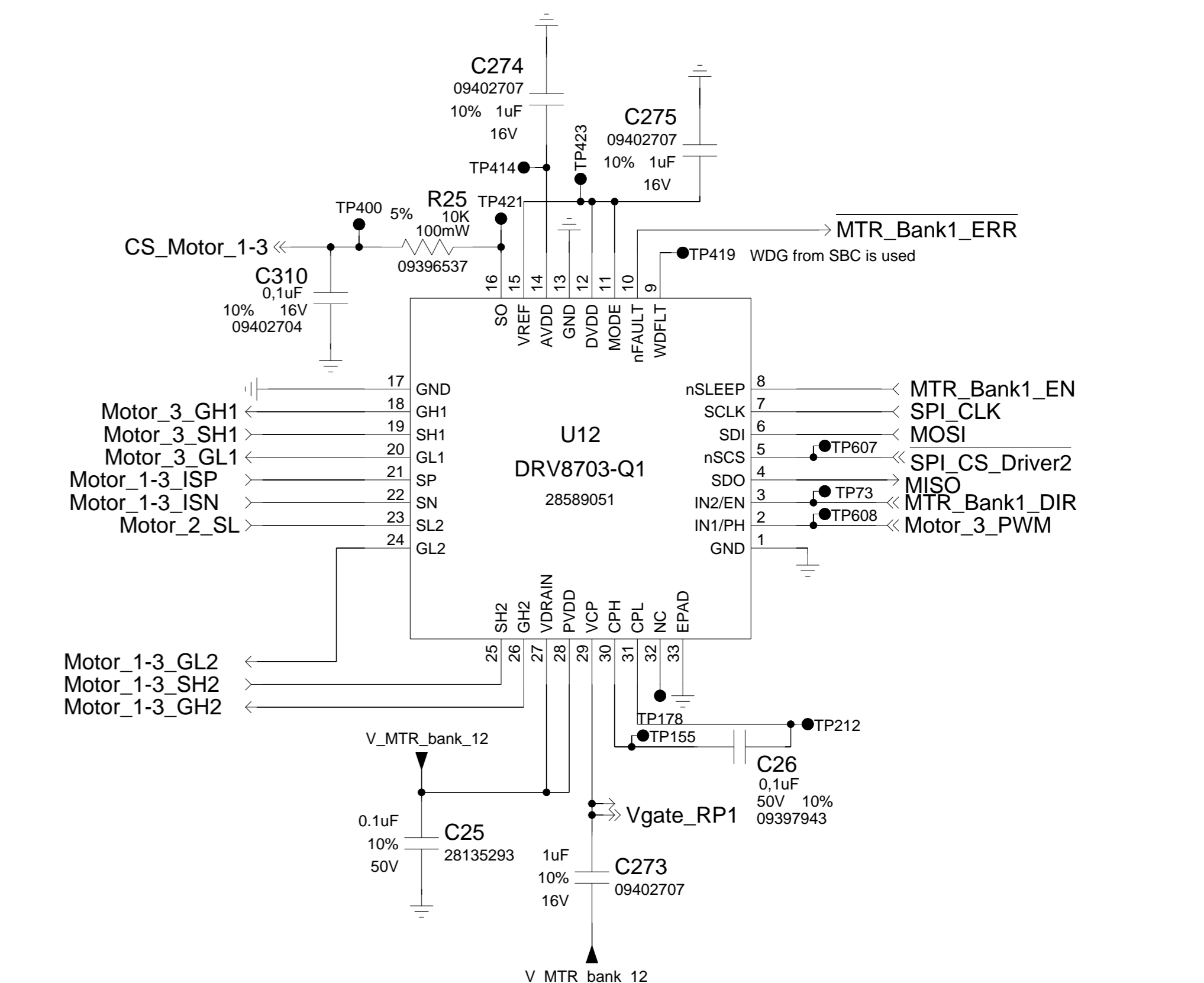
Motor Bank 1



Driver 1 HB 1 & 2



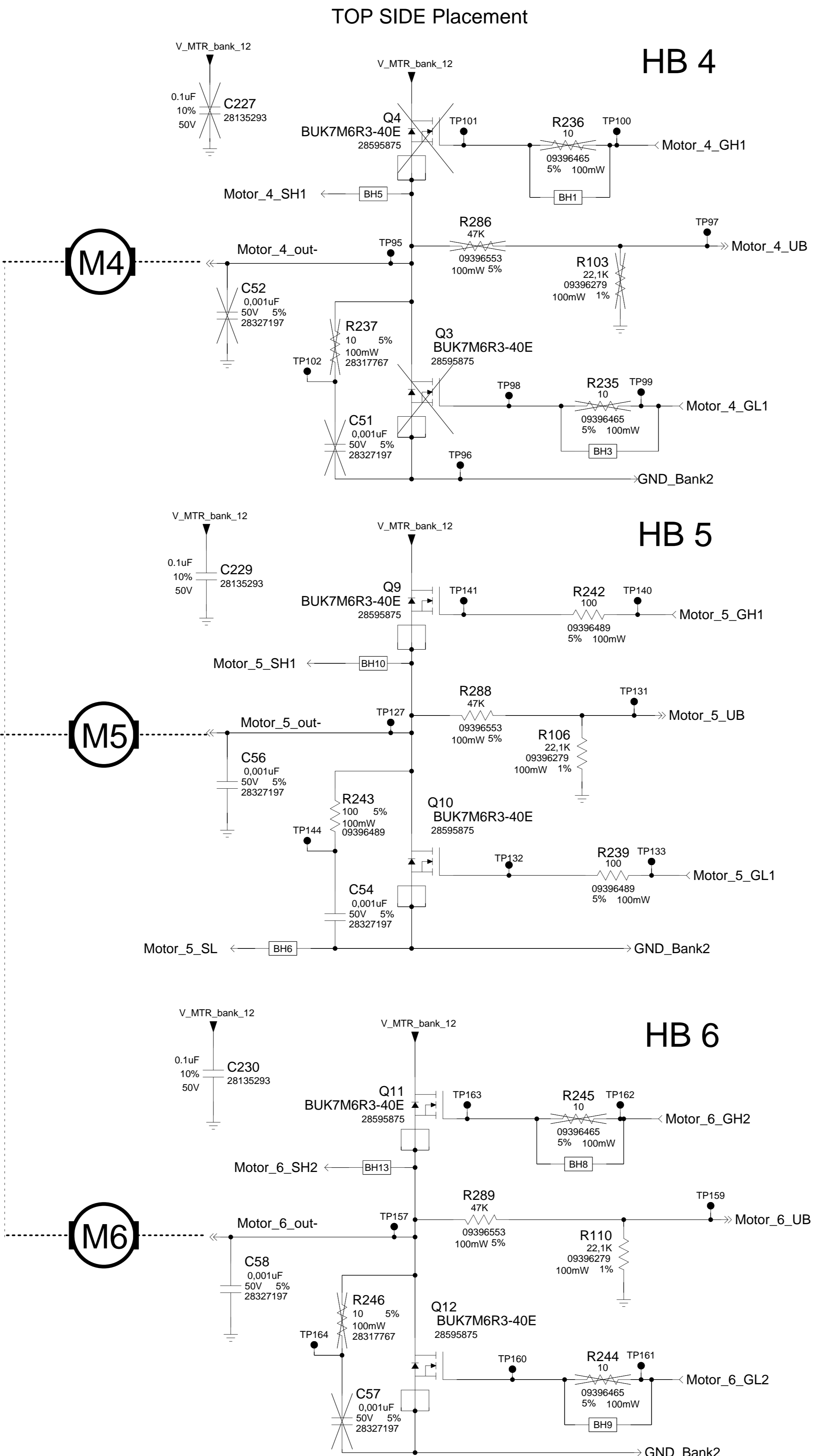
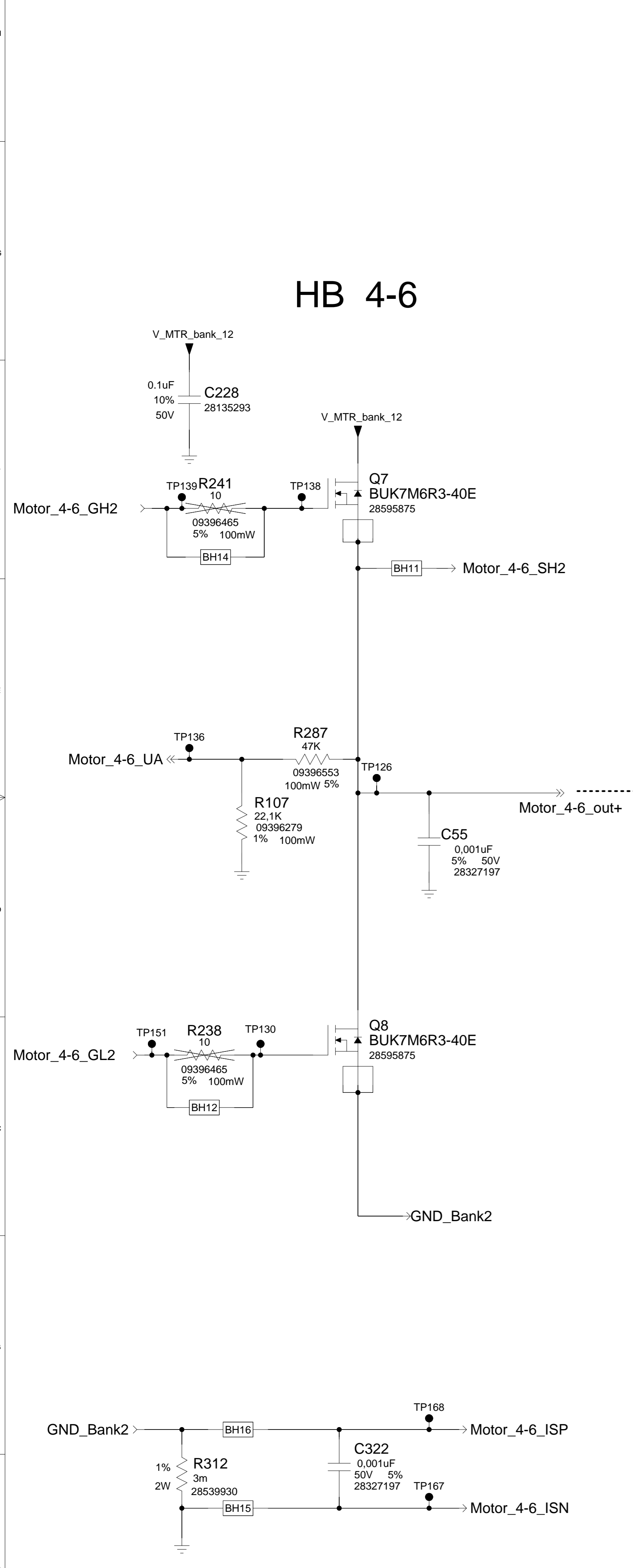
Driver 2 HB 3 & 1-3



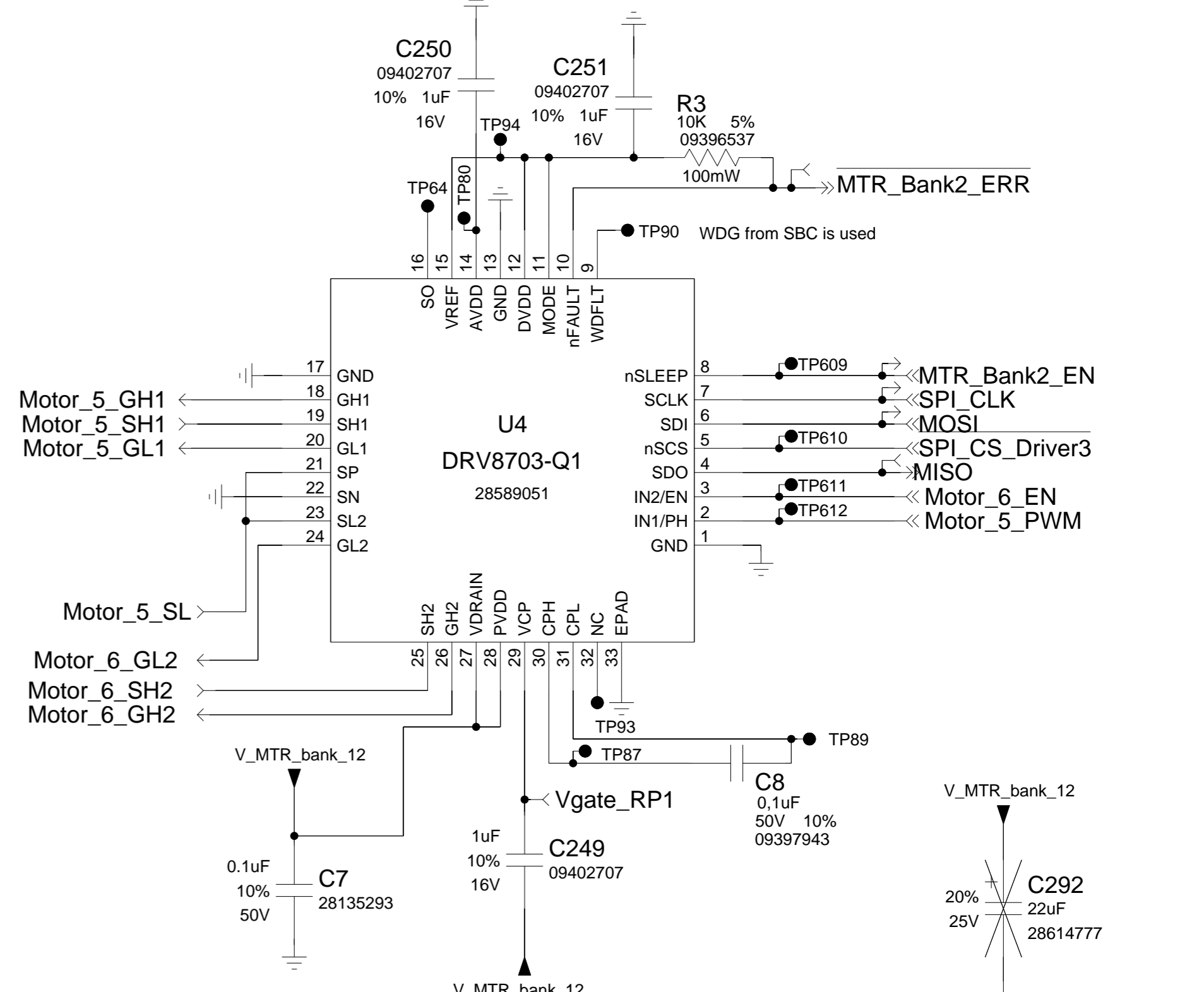
SHEET ONE (1) MUST BE SUPPLIED

DRAWING NUMBER						
24166275						
SIZE	SCALE	FRAME NO	SHEET NO	STG	REV	NP
A1	NA		11 OF 14		A	

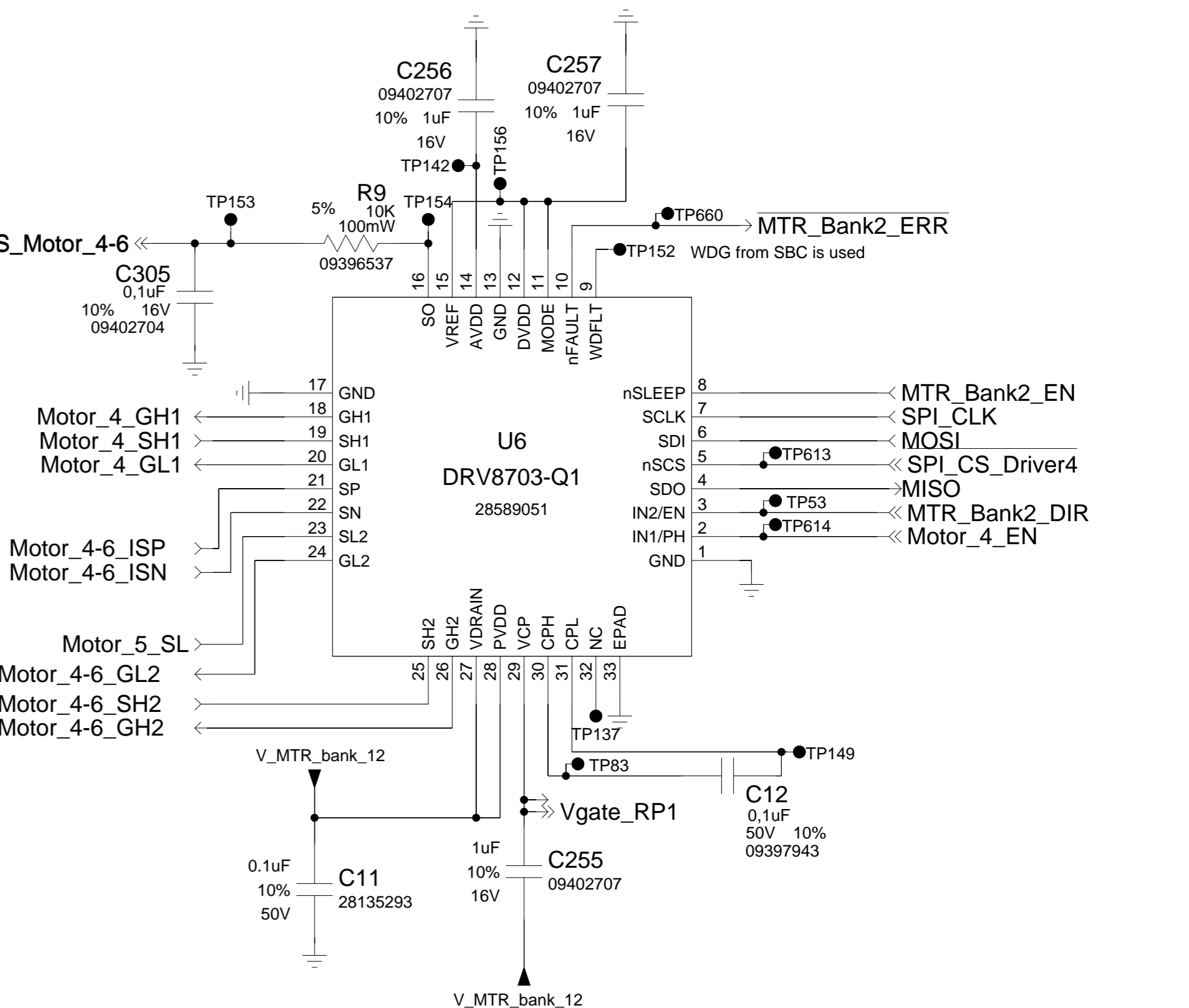
Motor Bank 2



Driver 3 HB 5 & 6



Driver 4 HB 4 & 4-6



SHEET ONE (1) MUST BE SUPPLIED

DRAWING NUMBER						
24166275						
SIZE	SCALE	FRAME NO	SHEET NO	STG	REV	NP
A1	NA		12 OF 14		A	