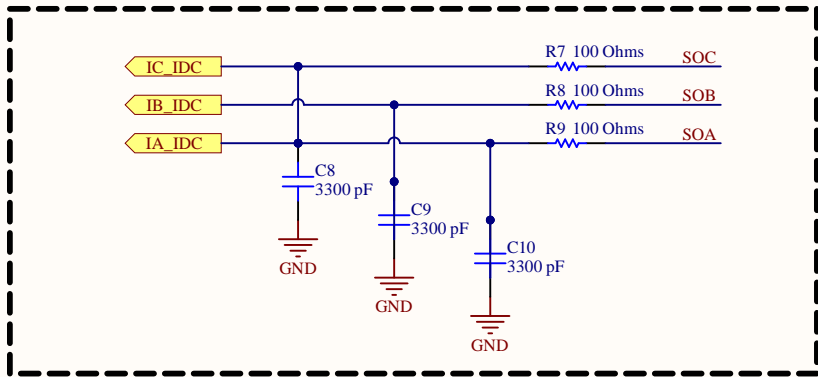
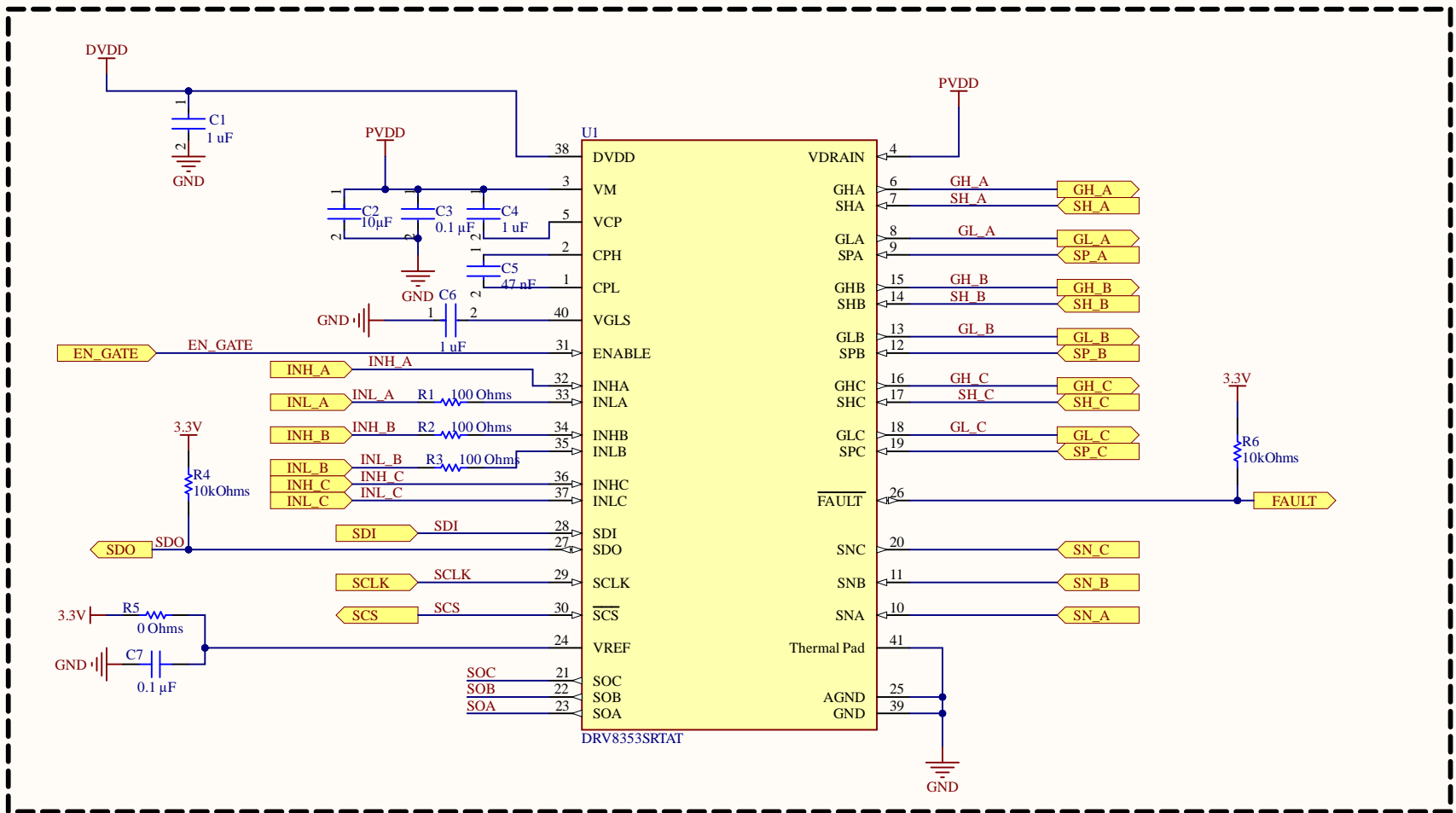
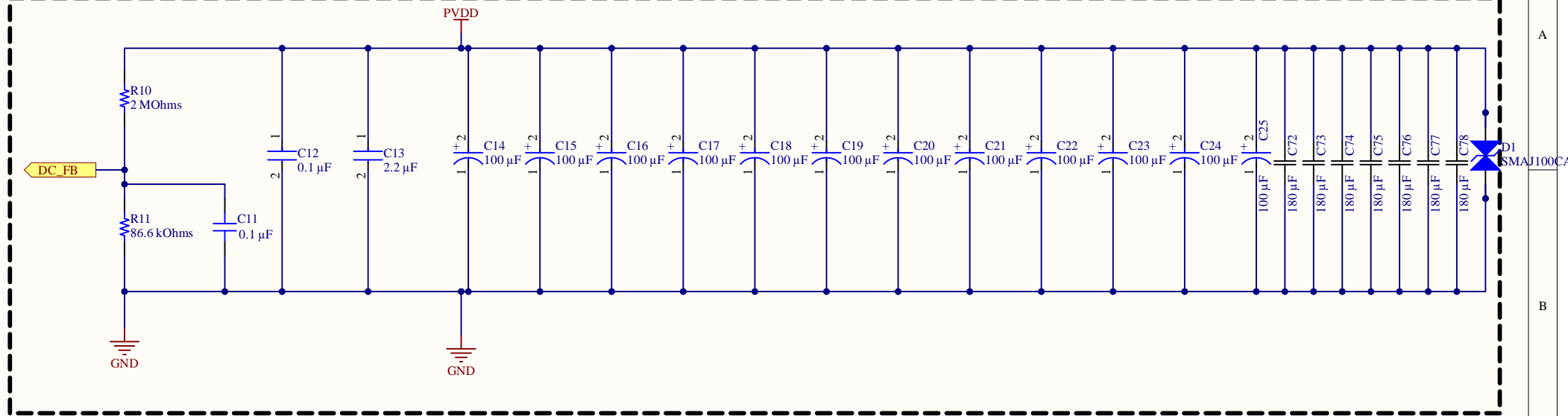


GATE DRIVER

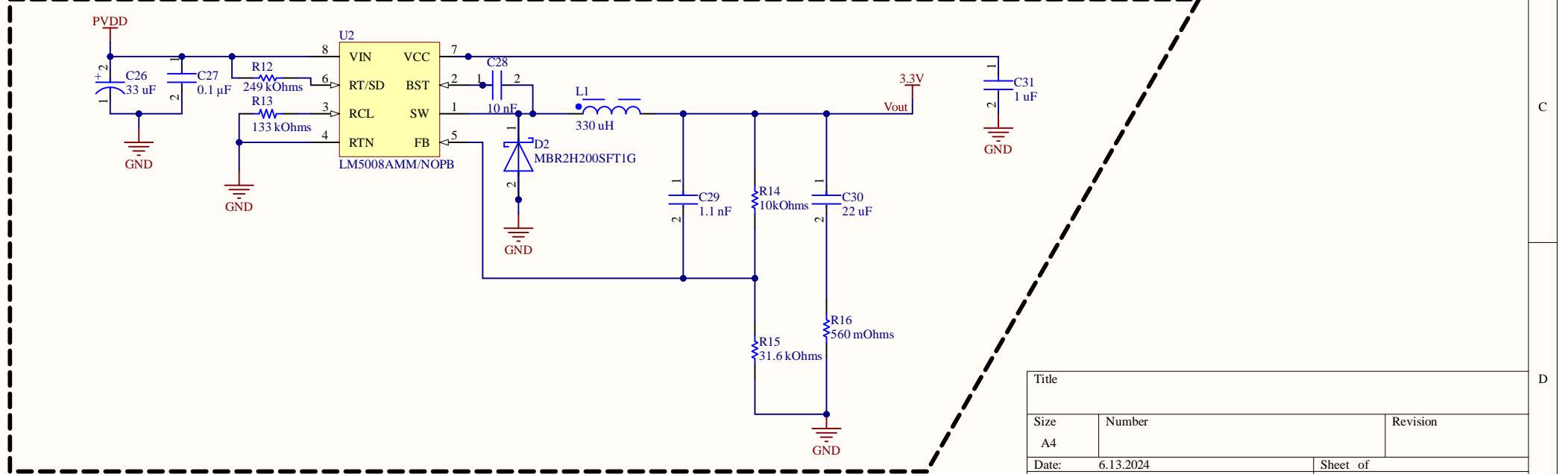


Title		
Size A4	Number	Revision
Date:	6.13.2024	Sheet of
File:	C:\Users\...\GateDriver.SchDoc	Drawn By:

POWER SUPPLY

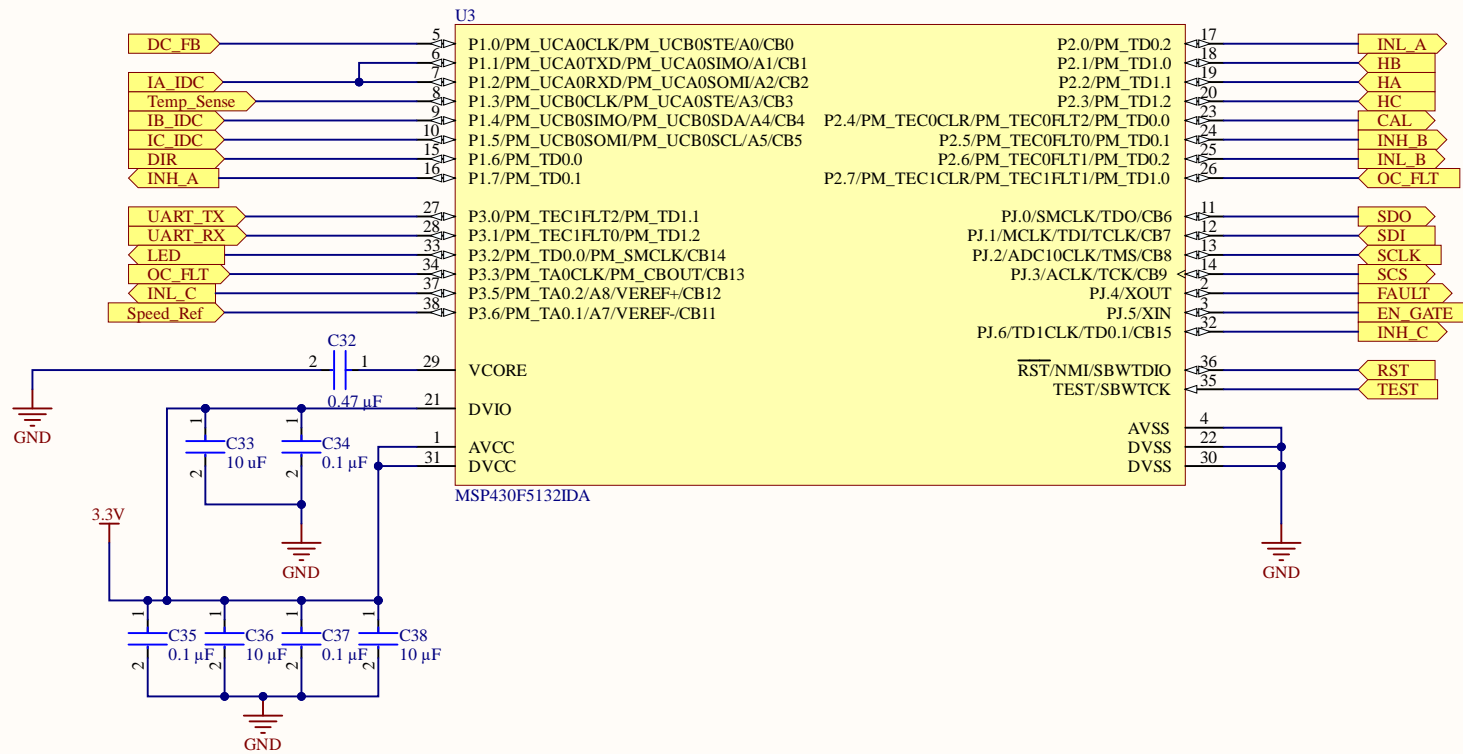


BUCK REGULATOR



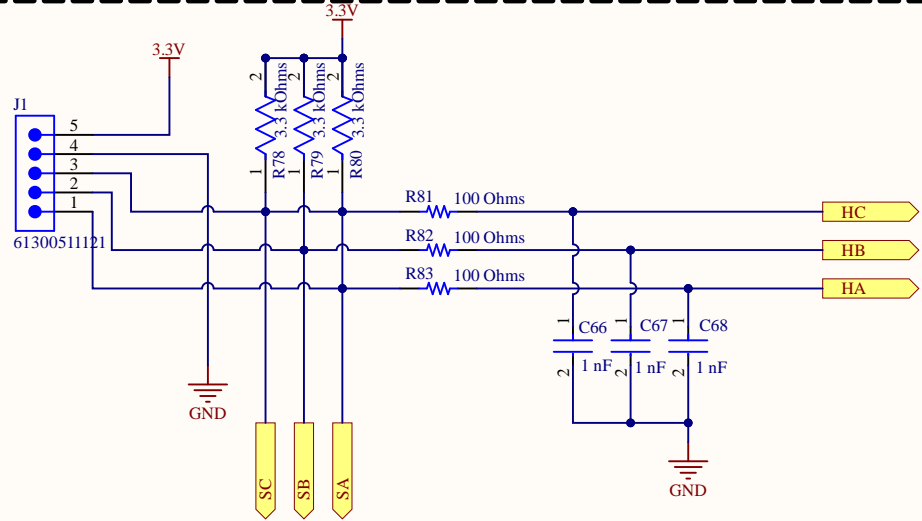
Title		
Size	Number	Revision
A4		
Date:	6.13.2024	Sheet of
File:	C:\Users\...\Power.SchDoc	Drawn By:

MICROCONTROLLER

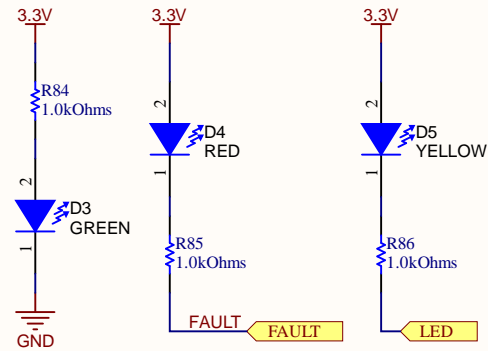


Title		
Size	Number	Revision
A4		
Date:	6.13.2024	Sheet of
File:	C:\Users\...\MicroController.SchDoc	Drawn By:

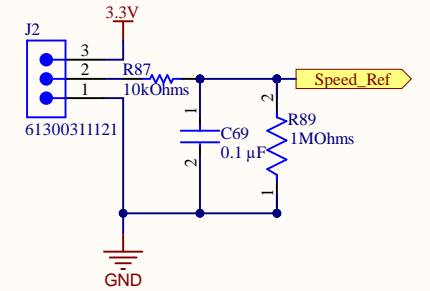
HALL SENSOR INTERFACE



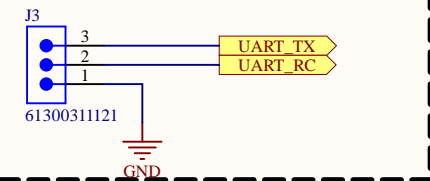
LED Indication



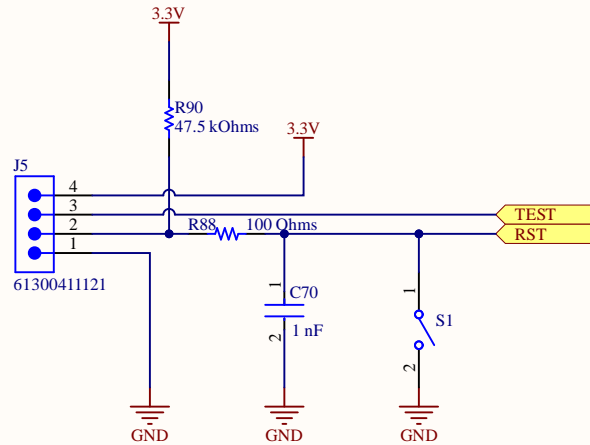
SPEED Reference



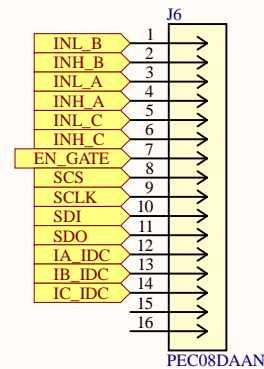
UART communication



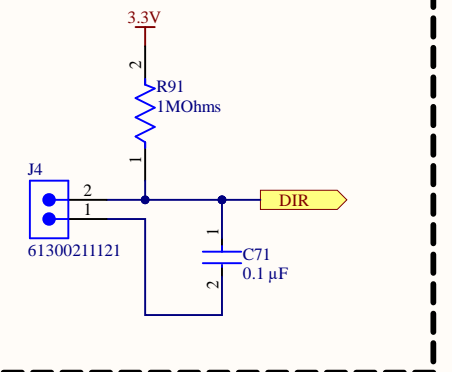
MCU PROGRAMMING CONNECTOR



SIGNAL INTERFACE CONNECTOR

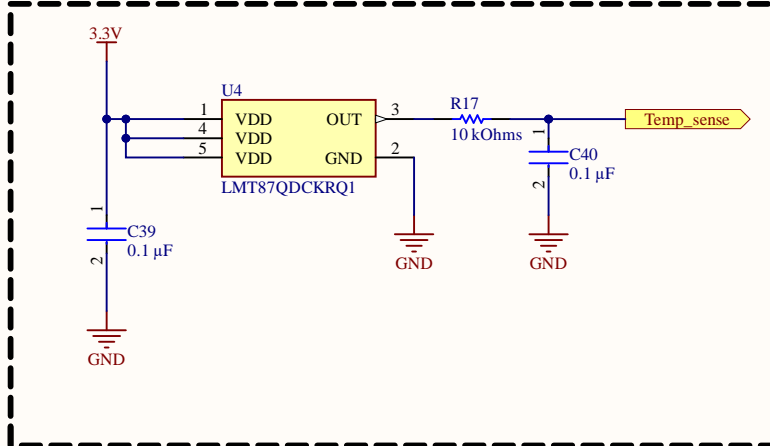


Direction Change



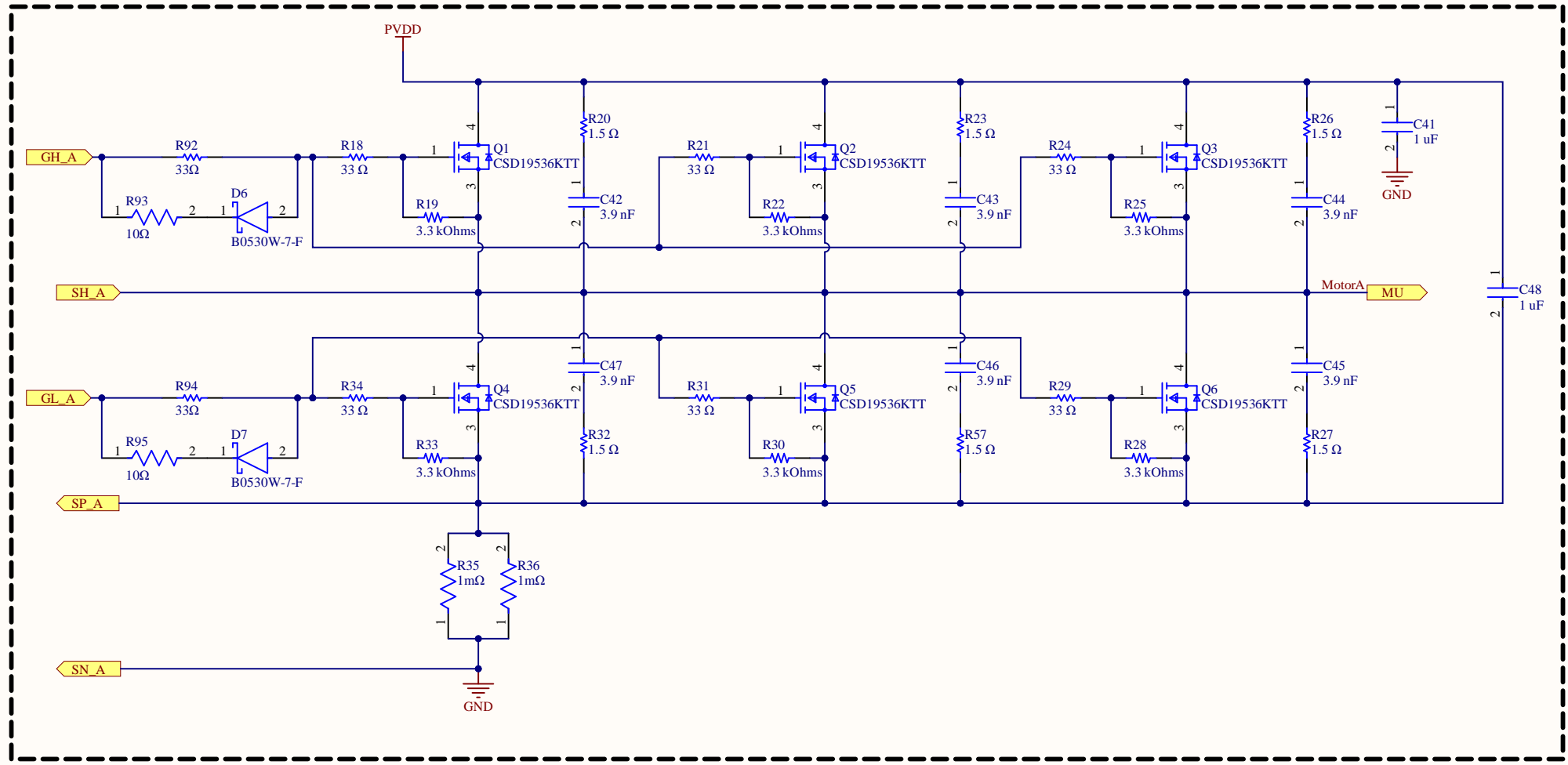
Title		
Size A4	Number	Revision
Date: 6.13.2024	Sheet of	
File: C:\Users\...\Interfaces.SchDoc	Drawn By:	

TEMPERATURE SENSOR



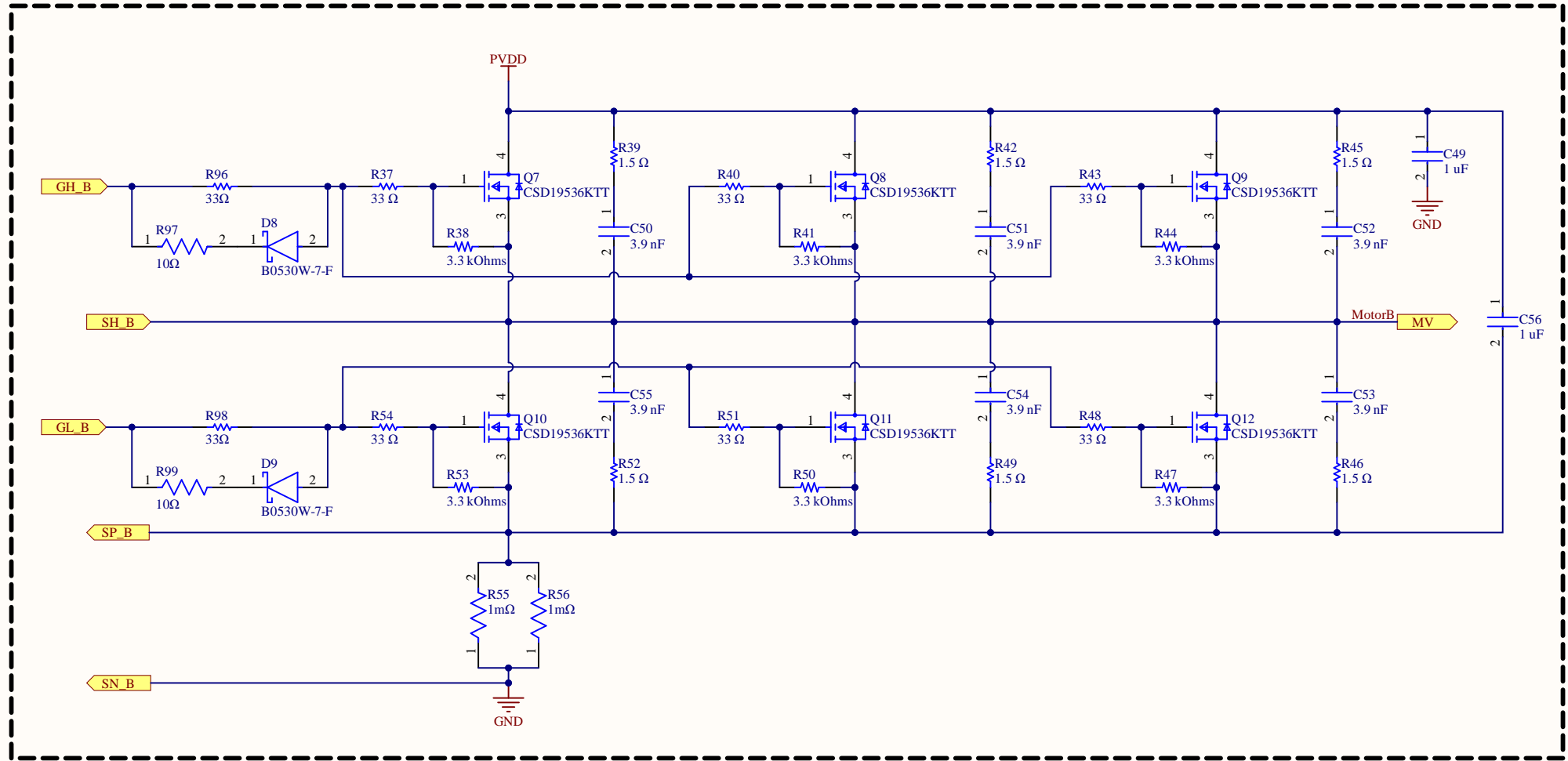
Title		
Size A4	Number	Revision
Date:	6.13.2024	Sheet of
File:	C:\Users\...\TempSensor.SchDoc	Drawn By:

PHASE A



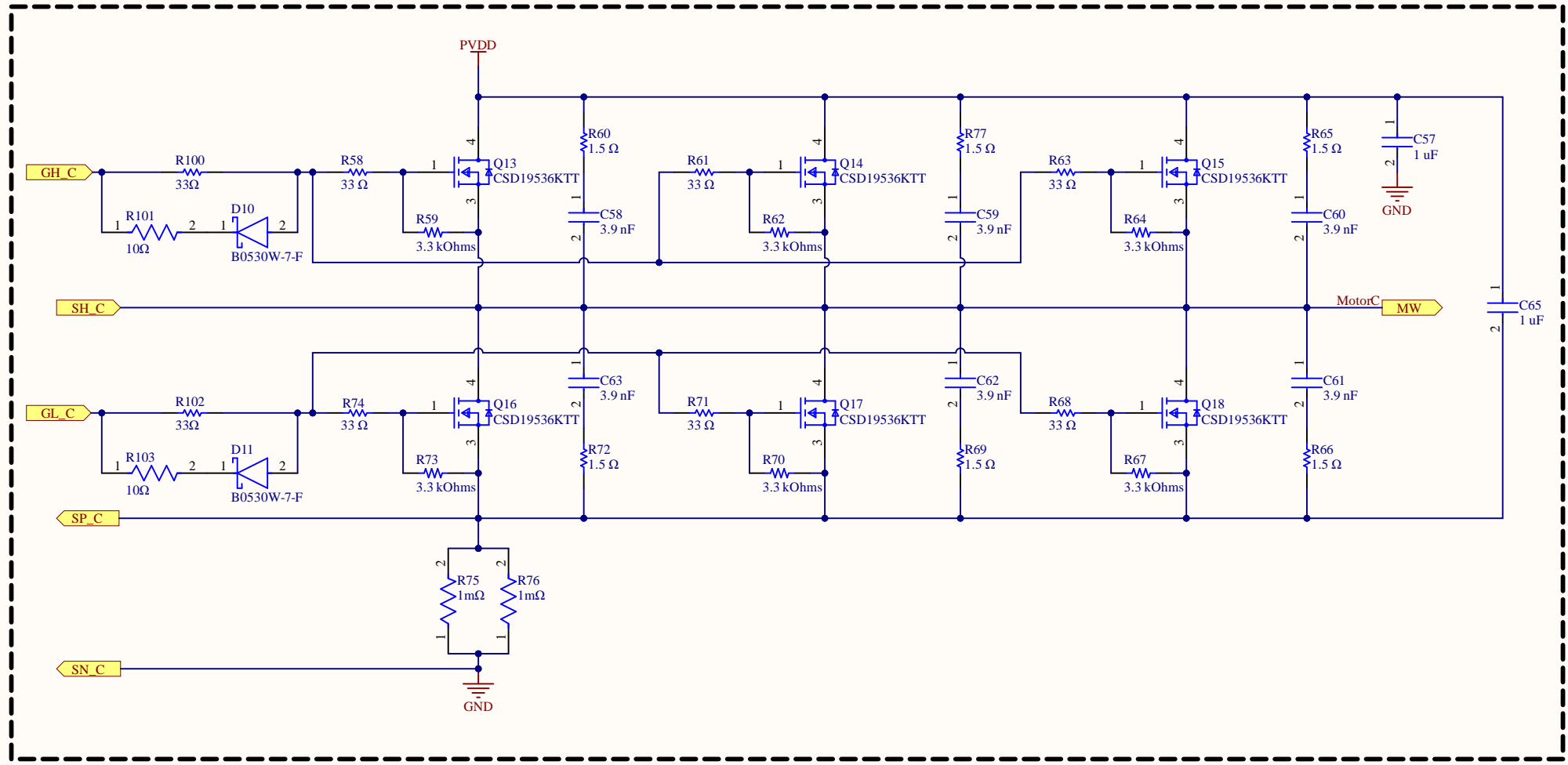
Title		
Size	Number	Revision
A4		
Date:	6.13.2024	Sheet of
File:	C:\Users\...\InverterAPhase.SchDoc	Drawn By:

PHASE B



Title		
Size	Number	Revision
A4		
Date:	6.13.2024	Sheet of
File:	C:\Users\...\InverterBPhase.SchDoc	Drawn By:

PHASE C



Title		
Size	Number	Revision
A4		
Date:	6.13.2024	Sheet of
File:	C:\Users\...\InverterCPhase.SchDoc	Drawn By: