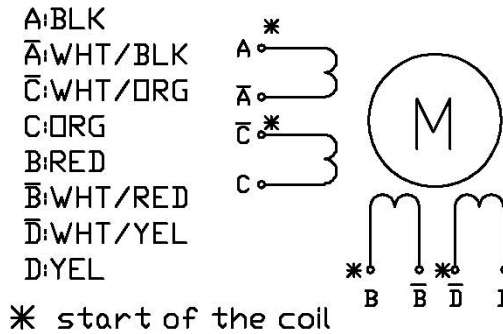


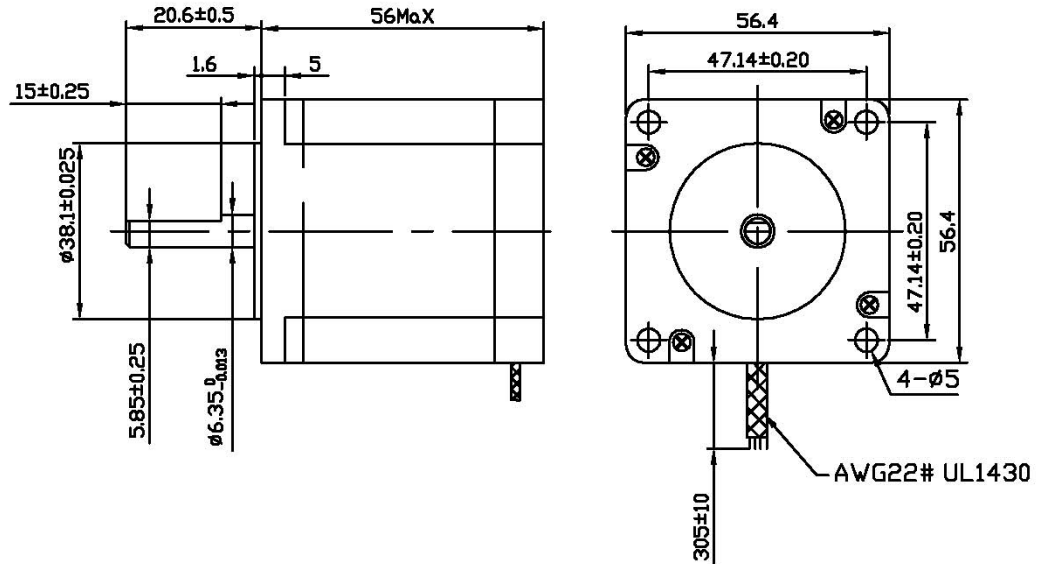
specifications:

PHASE	STEP ANGLE	RATED VOLTAGE	CURRENT /PHASE		RESISTANCE /PHASE	INDUCTANCE /PHASE	HOLDING TORQUE	ROTOR INERTIA	WEIGHT
	DEG/STEP	V	A		ohms	mH	(bipolar) N.cm	gcm ²	Kg
4	1.8	2.3	UNIPOLAR	3	0.75	1.1	90	300	0.7
2		3.15	SERIES	2.1	1.5	4.4	126		
2		1.575	PARALLEL	4.2	0.375	1.1	126		

Wiring Diagram:



Dimension:



REV	ECN NO.	DESCRIPTION	DRN	APP'D	DATE	DESIGN	DATE	P/N.
								4T5618M3008-T1
UNLESS OTHERWISE SPECIFIED TOLERANCES:						CHECK		TITLE: SPECIFICATION
DECIMALS: .x ±0.5						APPD		USED ON: 23Y106S-LW8
ANGULAR: .xx ±0.25								DWG NO. FX3.162.JS
.xxx ±0.1								REV
UNIT: mm						SCALE		Telco Motion
DO NOT SCALE DRAWING						SHEET	OF	