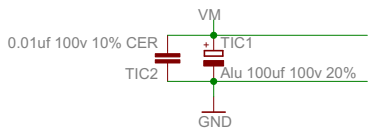
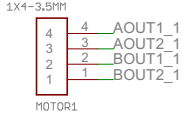


# X MOTOR

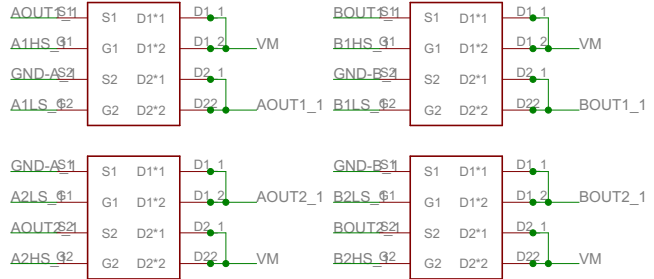
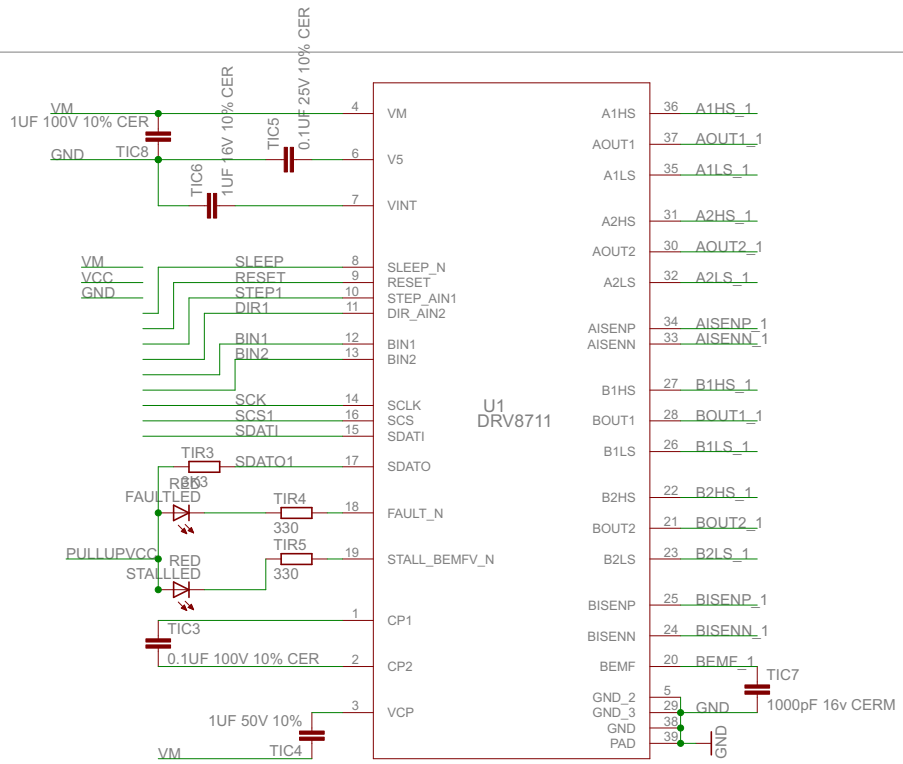
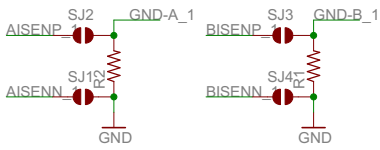
## 8-50v INPUT TERMINAL



## MOTOR TERMINAL

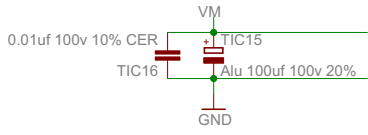


## SENSE

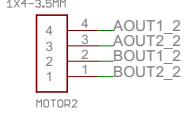


# Y1 MOTOR

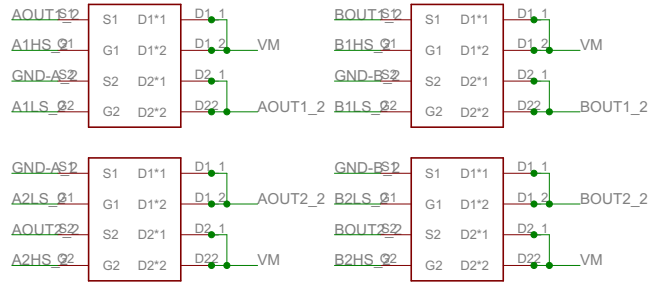
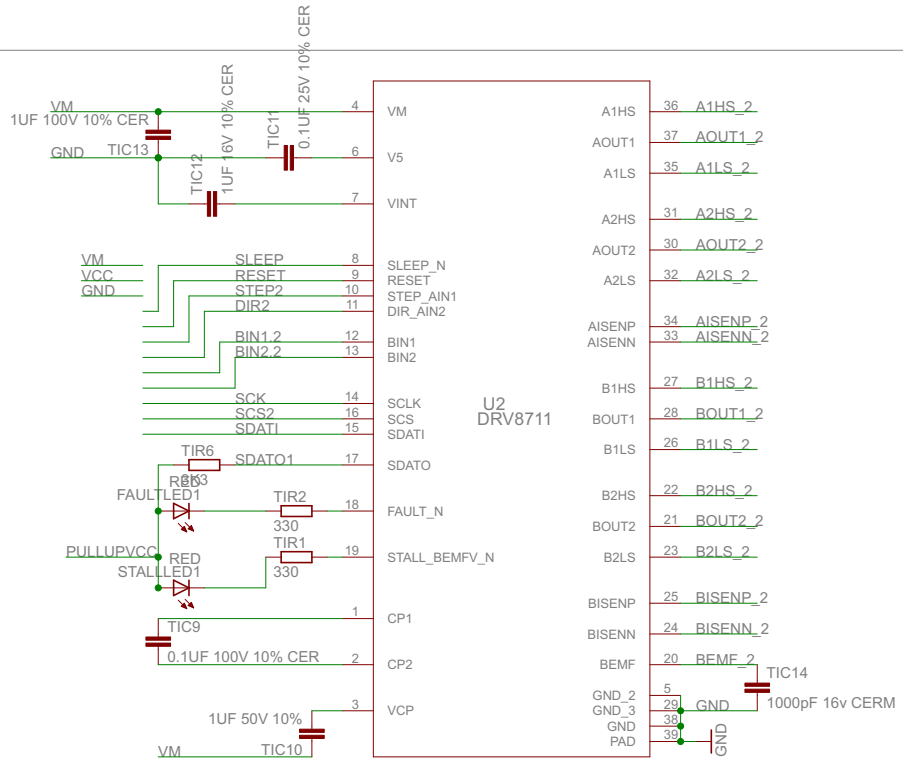
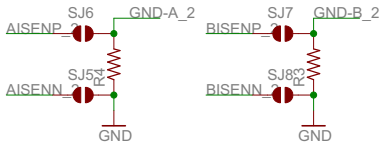
## 8-50v INPUT TERMINAL



## MOTOR TERMINAL

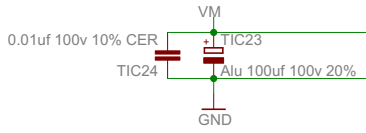


## SENSE

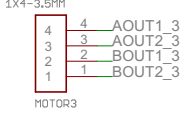


# Y2/A/E MOTOR

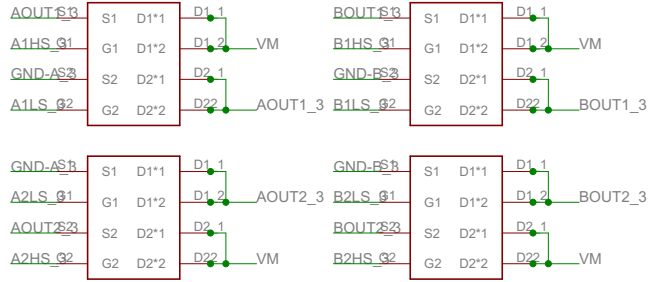
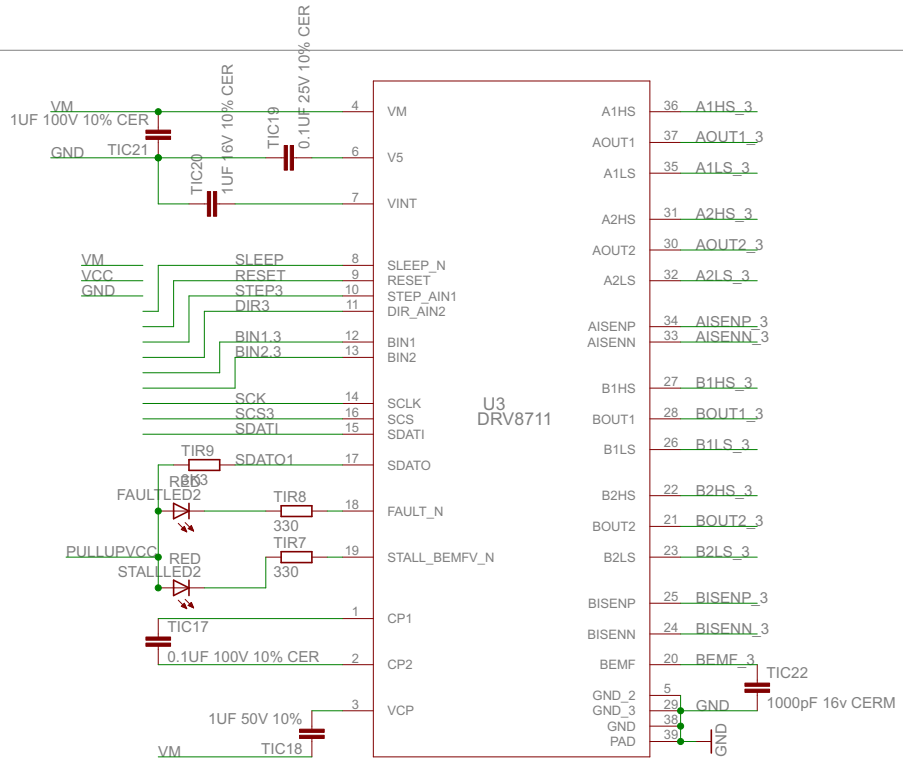
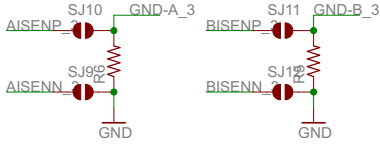
## 8-50v INPUT TERMINAL



## MOTOR TERMINAL

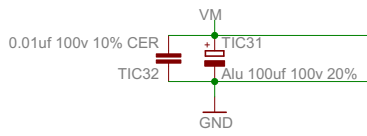


## SENSE

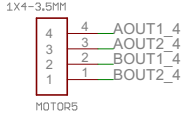


# Z MOTOR

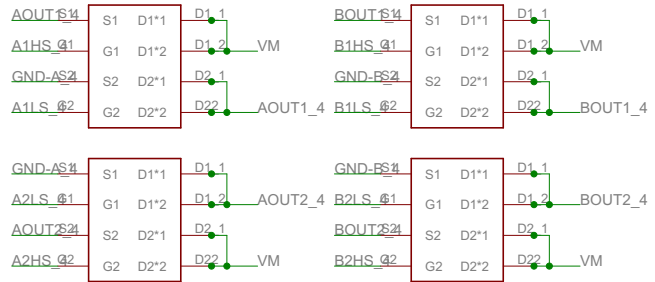
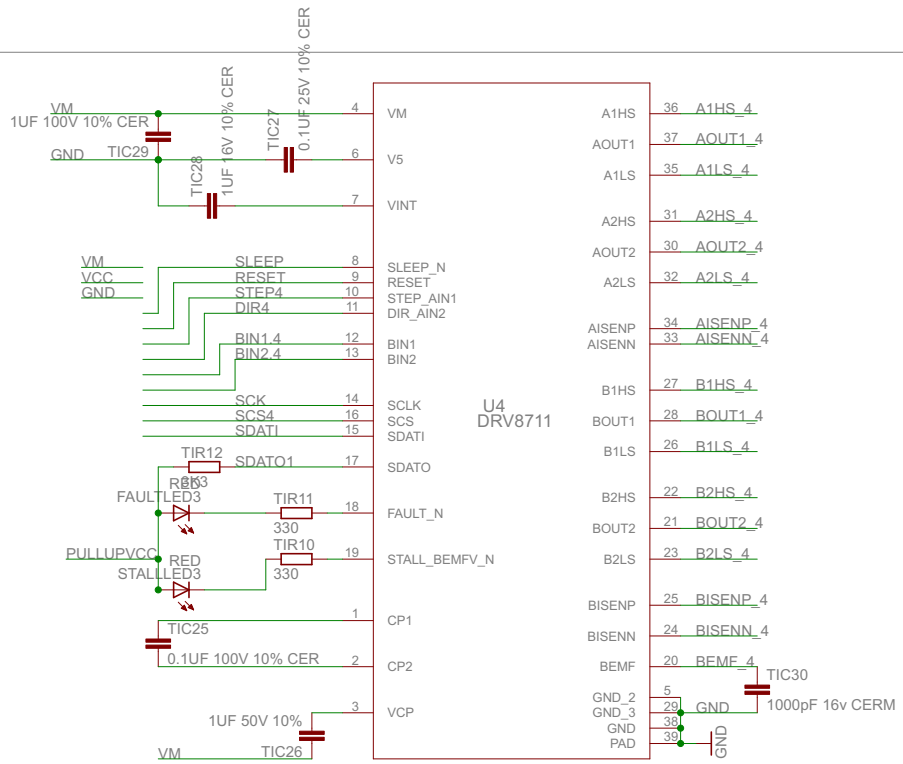
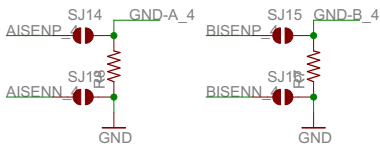
## 8-50v INPUT TERMINAL



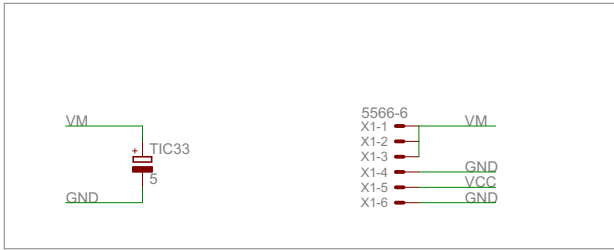
## MOTOR TERMINAL



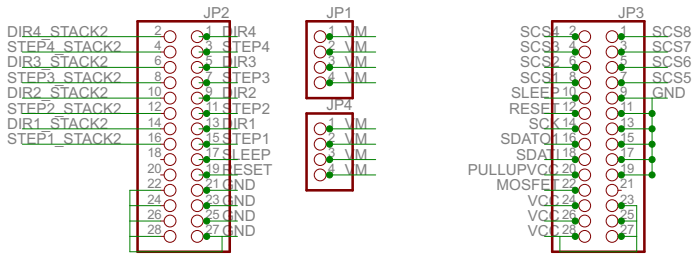
## SENSE



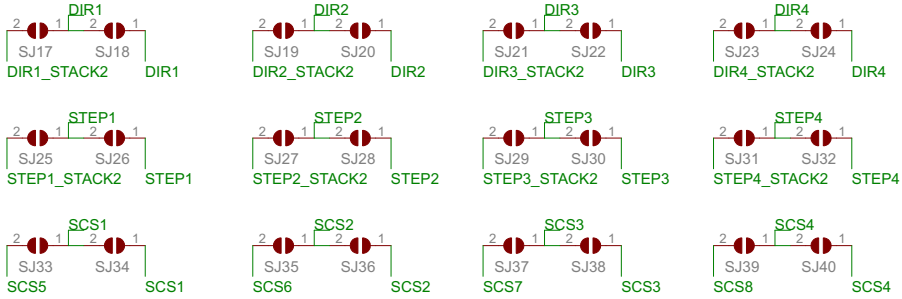
# POWER



# STACKING HEADERS



Stacking for up to 8 motors



# POWER MOSFET

