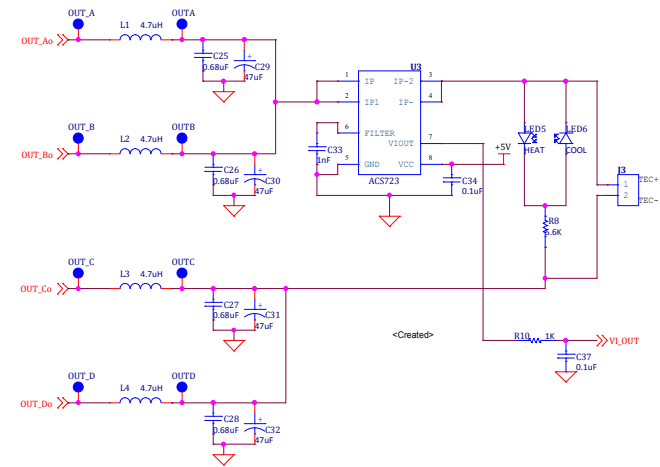
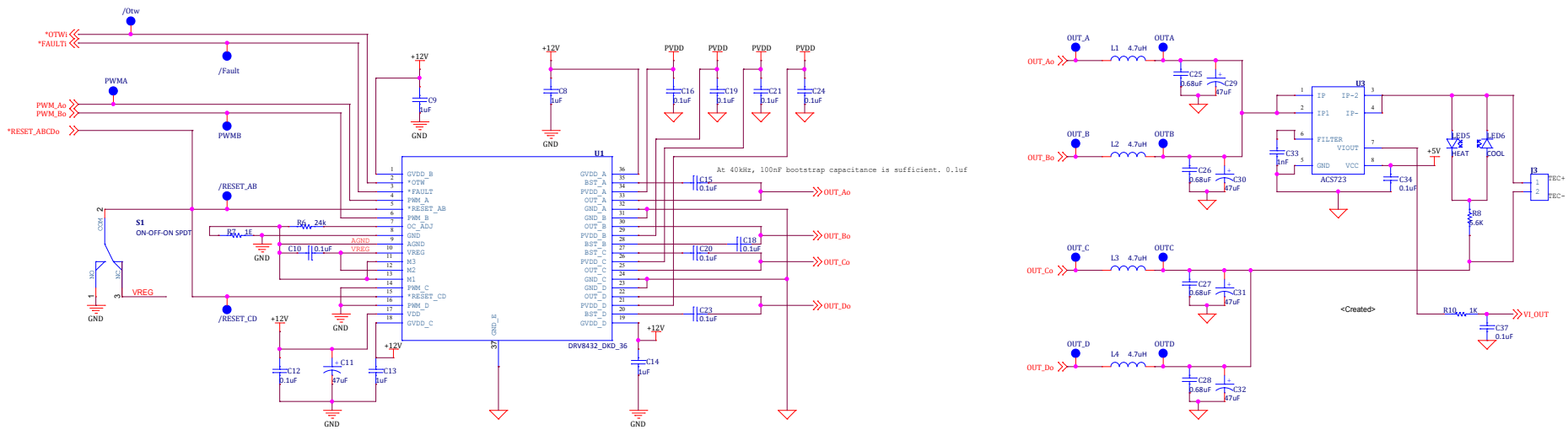
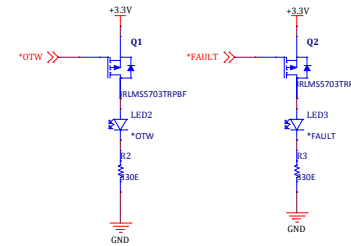
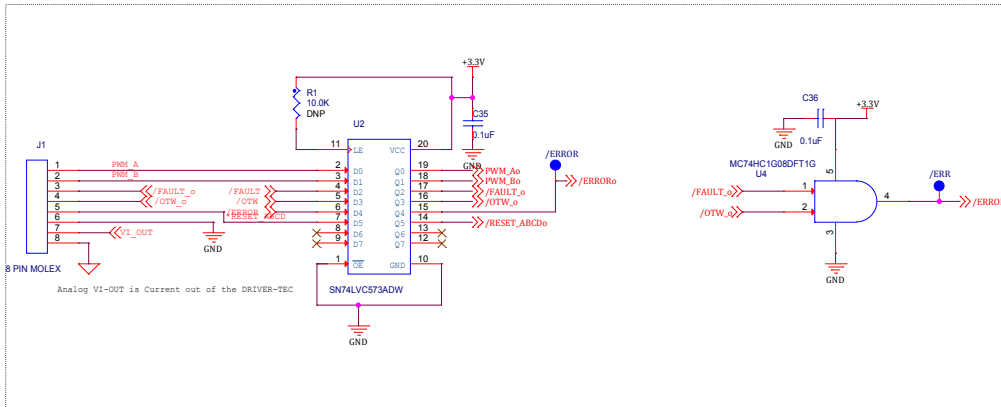


DRIVER 8432 IC



# POWER

Change all Terminal Blocks and connectors

