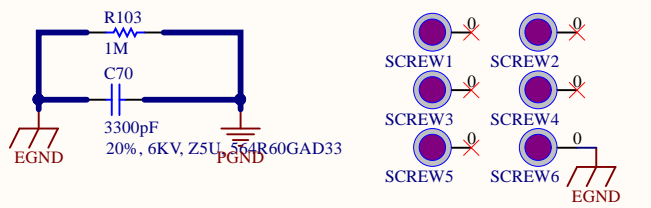
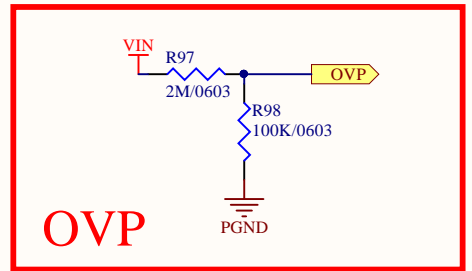
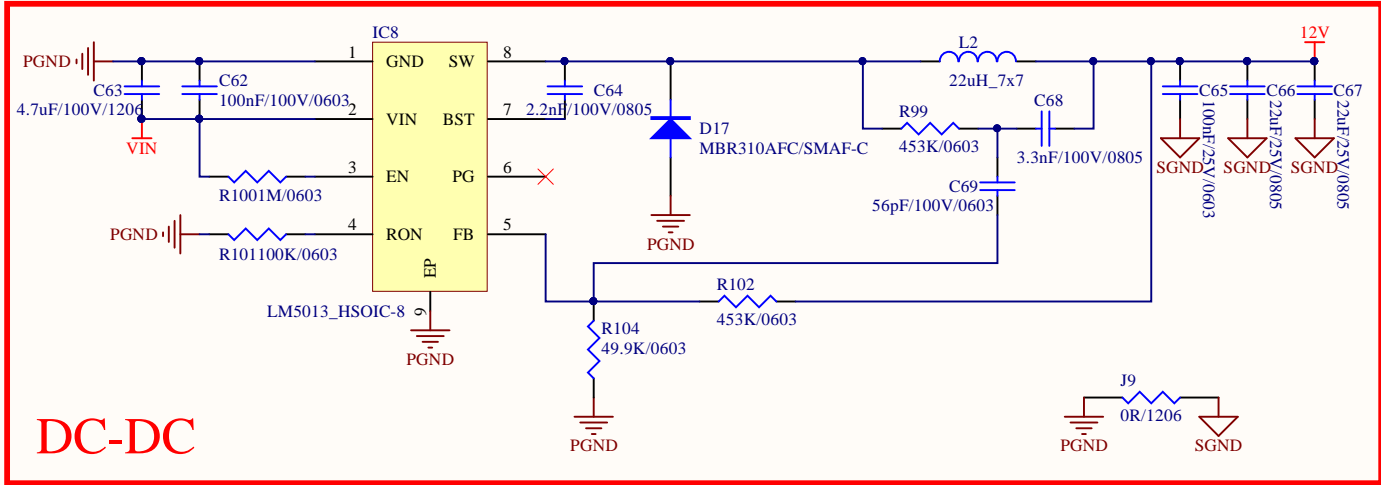
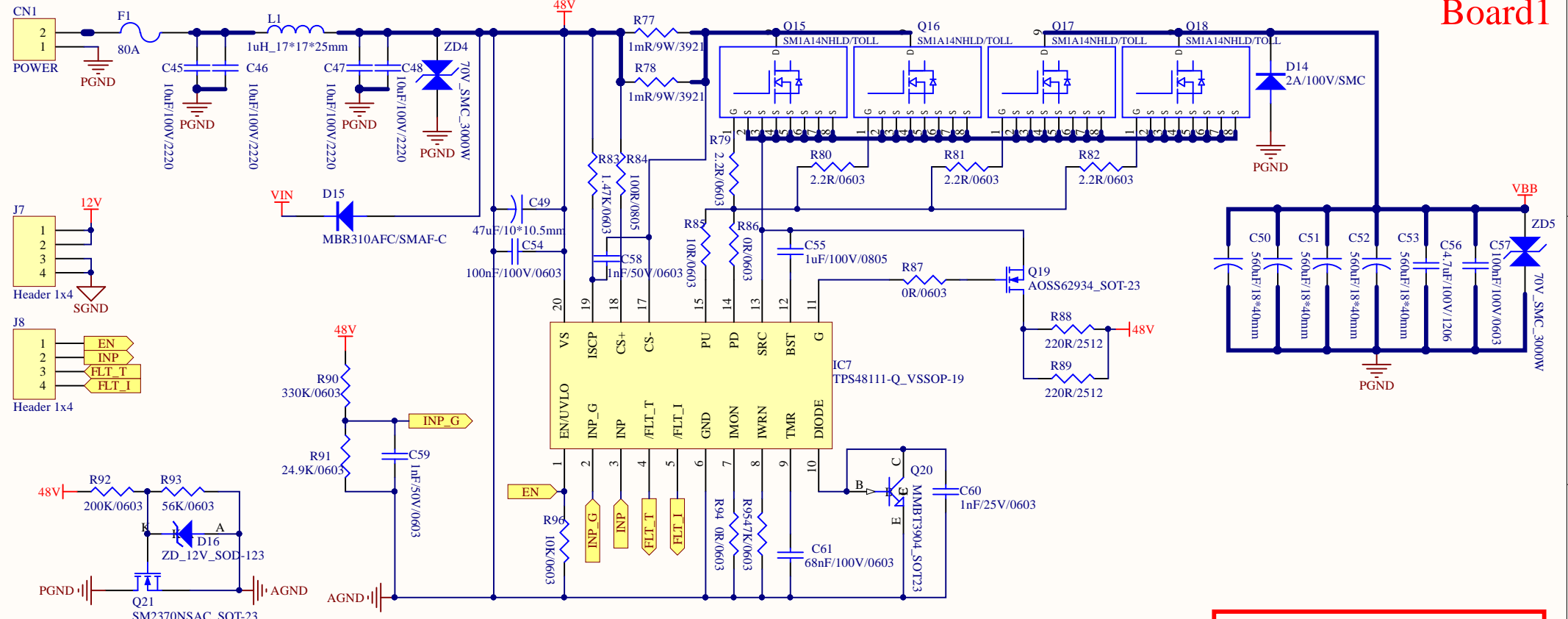


# Board1



DC-DC

OVP