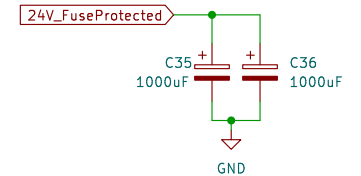
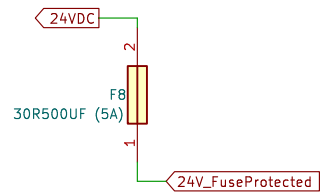
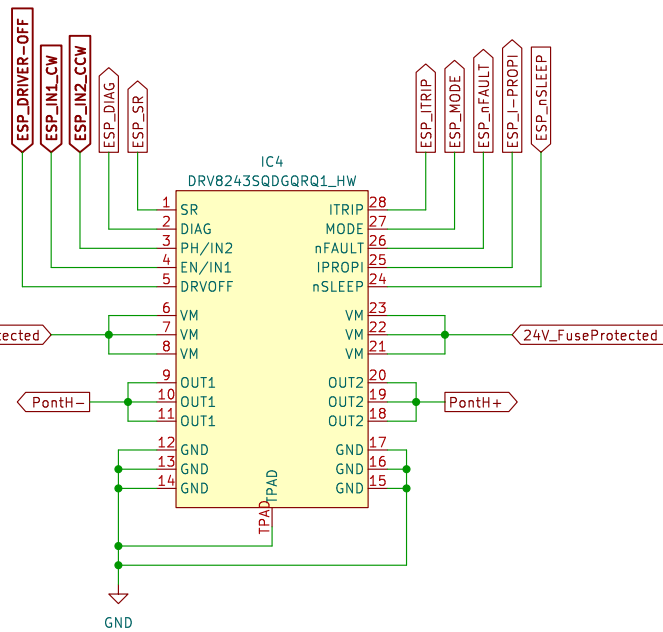
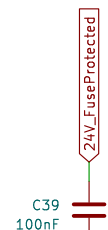
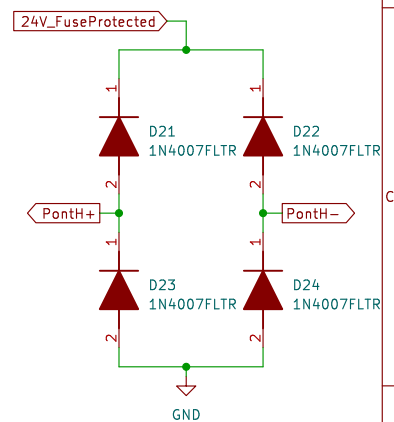
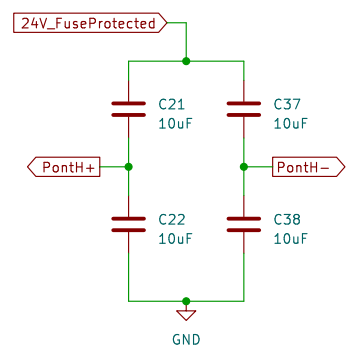


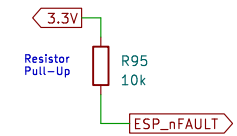
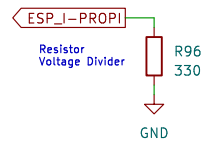
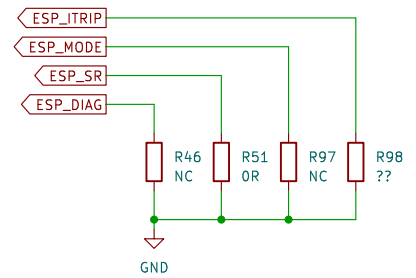
HS2  
HSB30-373710



Descarga EMF - Condensadores



Behaior configurations



Sheet: /Motor\_Control/H-Bridge\_Soft/  
File: H-Bridge\_Soft.kicad\_sch

<b>Title:</b>		<b>Rev:</b>	
Size: A4	Date:		
KiCad E.D.A. kicad 7.0.2		Id: 22/22	