

1

2

3

4

A

A

B

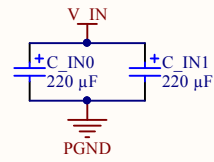
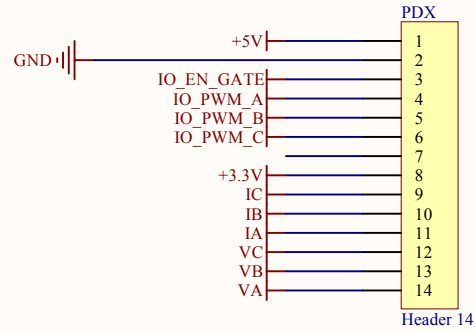
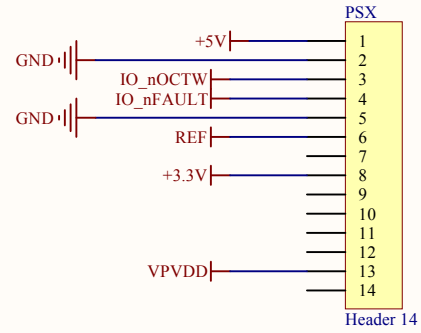
B

C

C

D

D



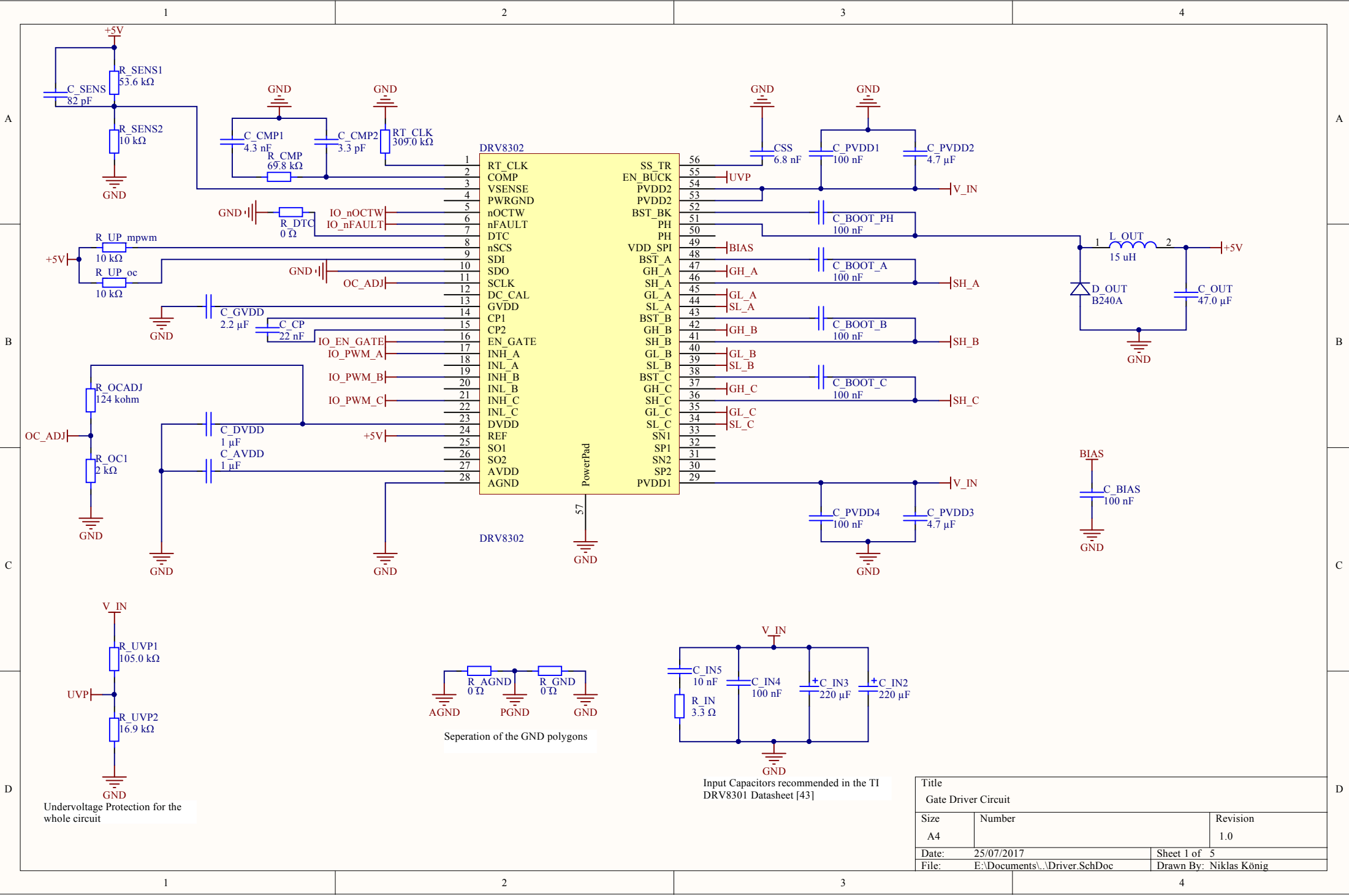
Title Connections & Buttons		
Size A4	Number	Revision 1.0
Date: 25/07/2017	Sheet 5 of 5	
File: E:\Documents\...\Connectors.SchDoc	Drawn By: Niklas König	

1

2

3

4

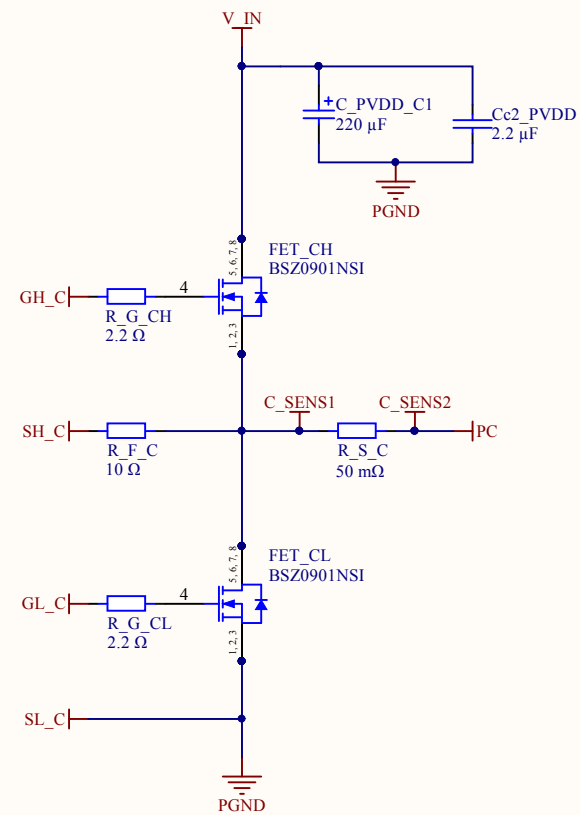
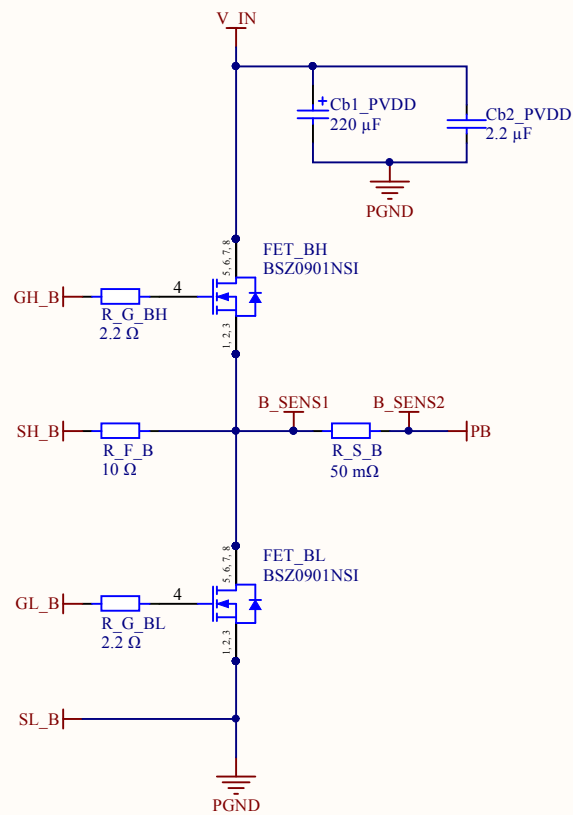
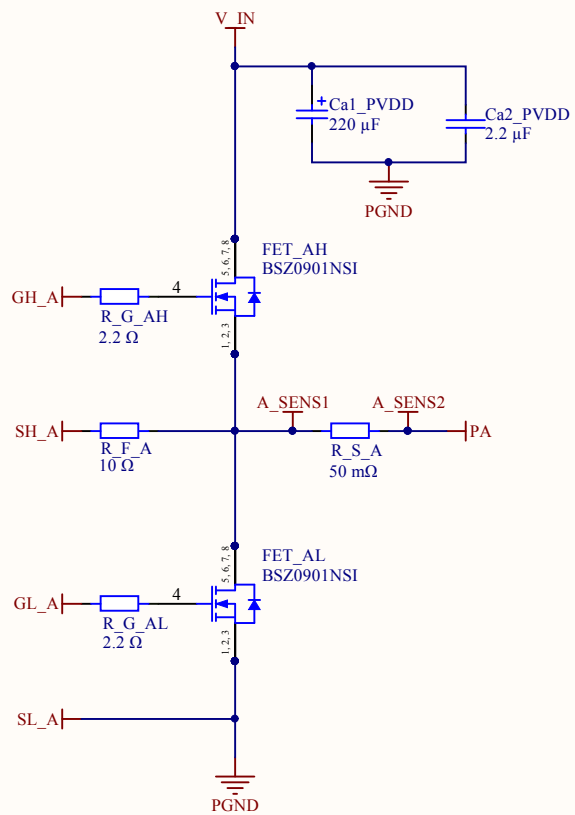


Undervoltage Protection for the whole circuit

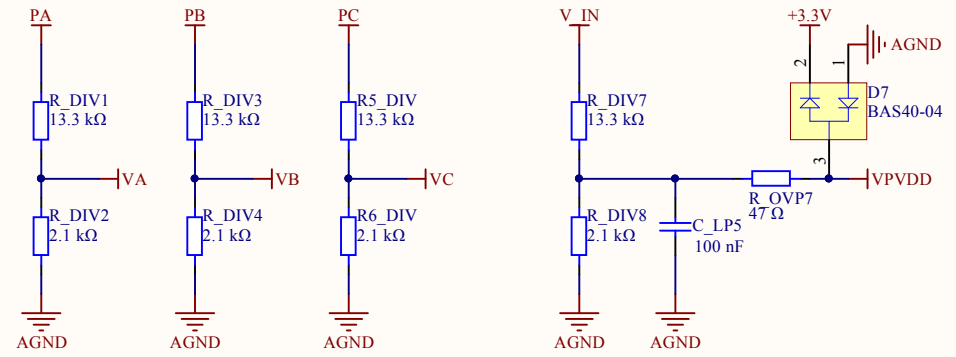
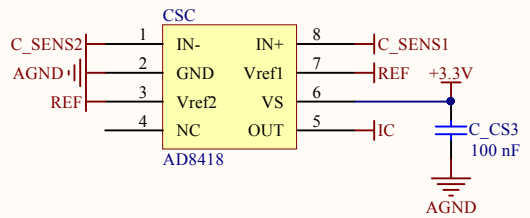
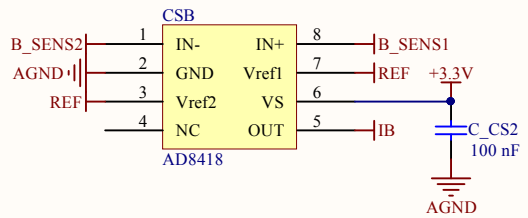
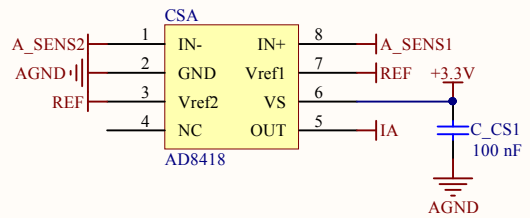
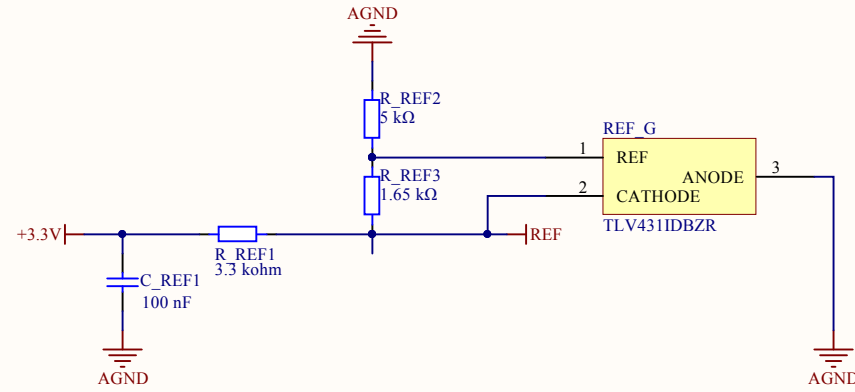
Separation of the GND polygons

Input Capacitors recommended in the TI DRV8301 Datasheet [43]

Title			
Gate Driver Circuit			
Size	Number		Revision
A4			1.0
Date:	25/07/2017	Sheet 1 of 5	
File:	E:\Documents\...\Driver.SchDoc	Drawn By: Niklas König	



Title		
MOSFET Stage		
Size	Number	Revision
A4		1.0
Date:	25/07/2017	Sheet 2 of 5
File:	E:\Documents\...\MOSFETs.SchDoc	Drawn By: Niklas König



Title Sensors			
Size A4	Number	Revision 1.0	
Date:	25/07/2017	Sheet 3 of 5	
File:	E:\Documents\...\Sensors.SchDoc	Drawn By: Niklas König	

