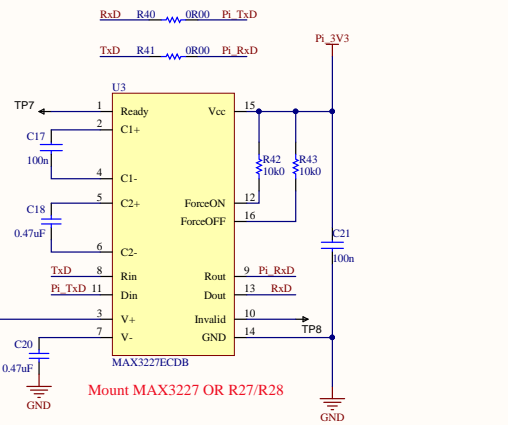
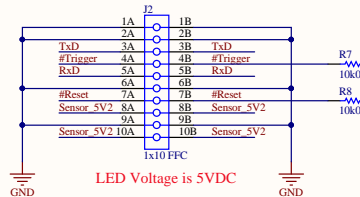
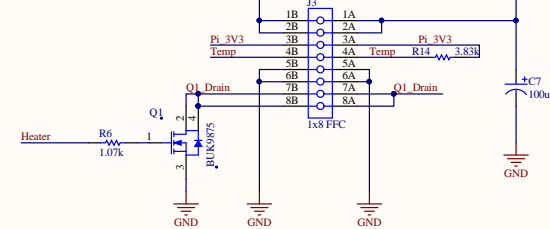


Configure RPi to issue shutdown when Pi_GPIO20 goes low Drive GPIO21 high. When Pi turns OFF this will go low

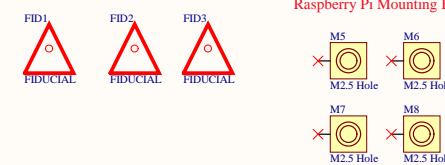
ULV4F2BSS531 Switch



Mount MAX3227 OR R27/R28

Use Wurth 16mm Standoffs, 971160151

Raspberry Pi Mounting Holes



MODE1	MODE0	Microstep Resolution
Low	Low	Full step
High	High	Non Circular Half step
High	Low	1/2 step
High	High	1/4 step
Low	Z	1/8 step
High	Z	1/16 step
Z	Low	Reserved
Z	High	Reserved
Z	Z	Reserved

