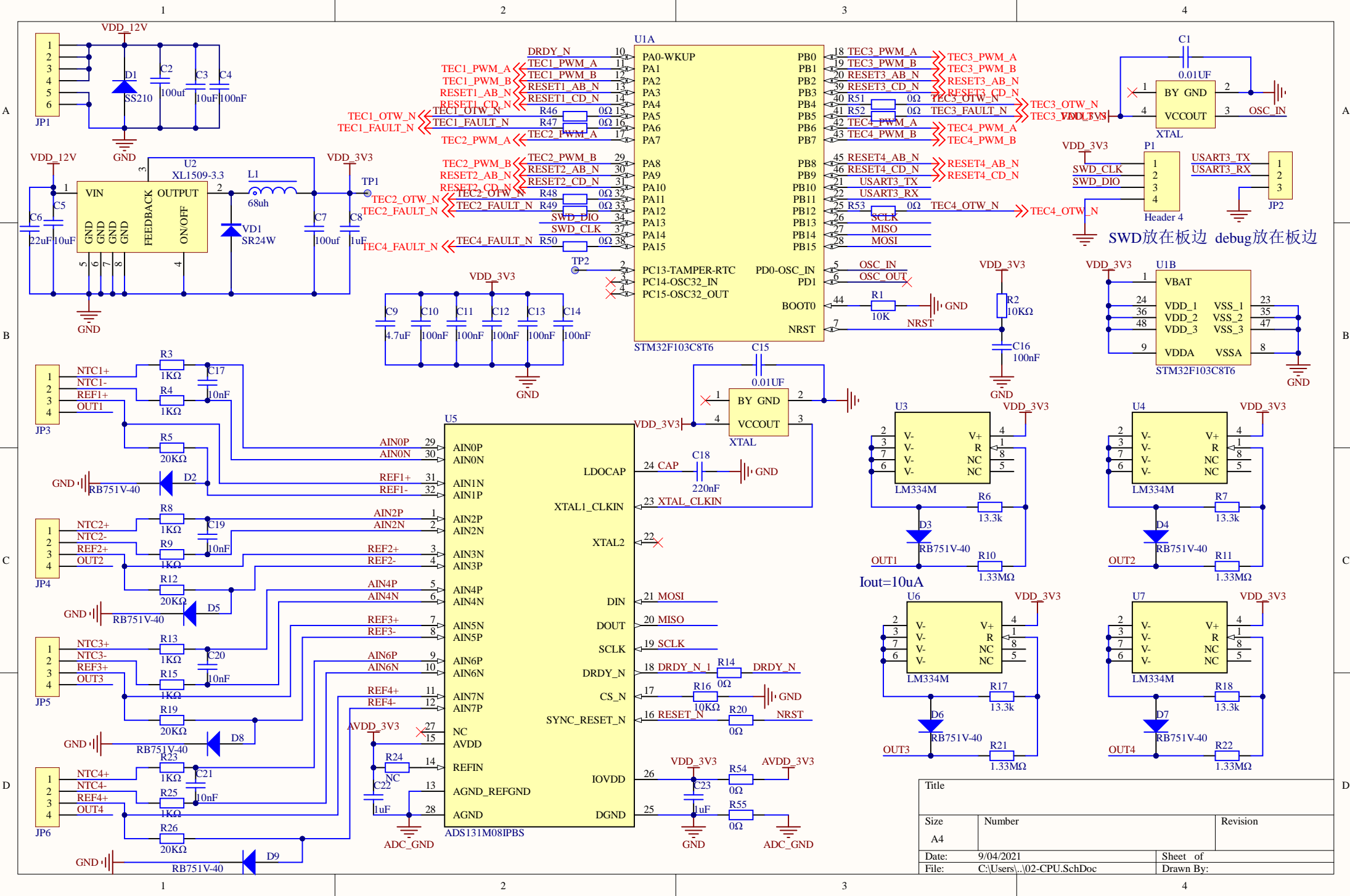


Title		
Size A4	Number	Revision
Date:	9/04/2021	Sheet of
File:	C:\Users\...\01-Block Diagram.SchDoc	Drawn By:



A

A

B

B

C

C

D

D

1

2

3

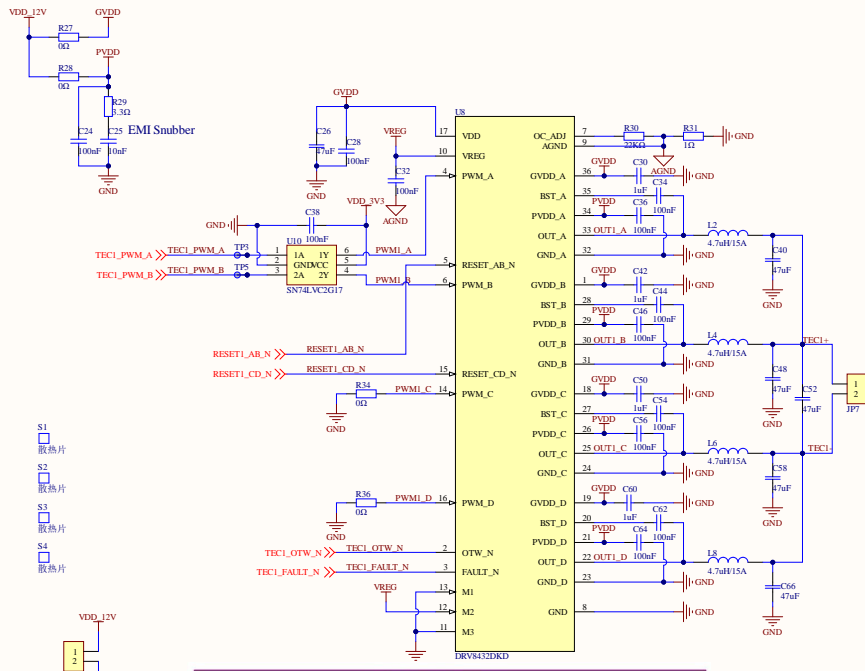
4

1

2

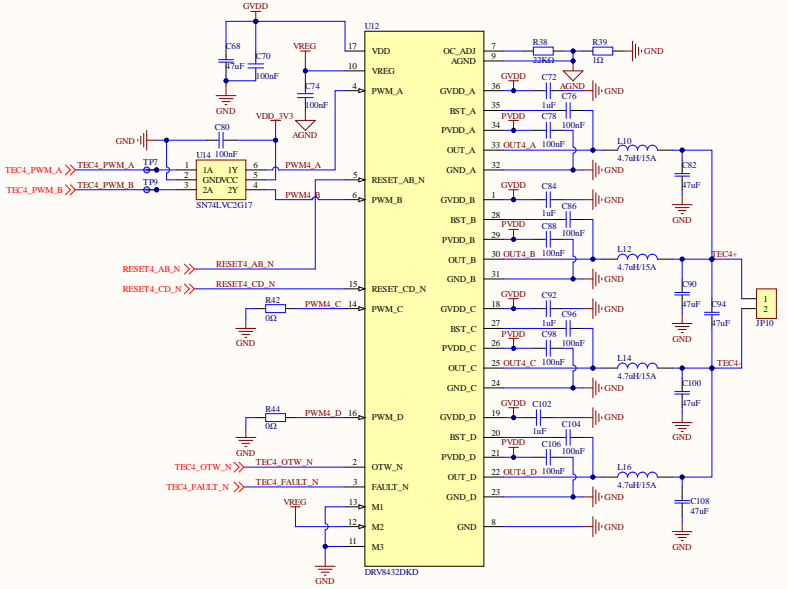
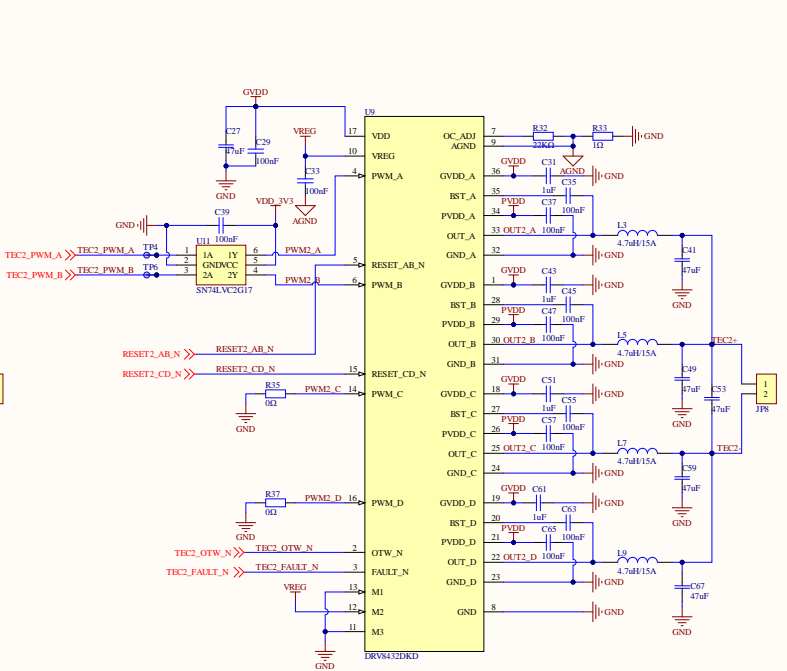
3

4



M3	M2	M1	OUTPUT	DESCRIPTION
0	0	0	4HBZPB	HALF-BRIDGE, CYCLE-BY-CYCLE CURRENT LIMIT (DEFAULT)
0	0	1	4HBZPB	HALF-BRIDGE, OC-LATCHING SHUTDOWN
0	1	0	4FBZPB	PARALLEL-BRIDGE, CYCLE-BY-CYCLE CURRENT LIMIT
0	1	1	4FBZPB	PARALLEL-BRIDGE, AND-AND-CO WITH CYCLE-BY-CYCLE CURRENT LIMIT
1	X	X	NA	FULL BRIDGE WITH ONE PWM INPUT AND CYCLE-BY-CYCLE CURRENT LIMIT RESERVED FOR TEST MODE

FAN Connector



REV	Date	Change Points
1.0	2021-08-20	Initial

