

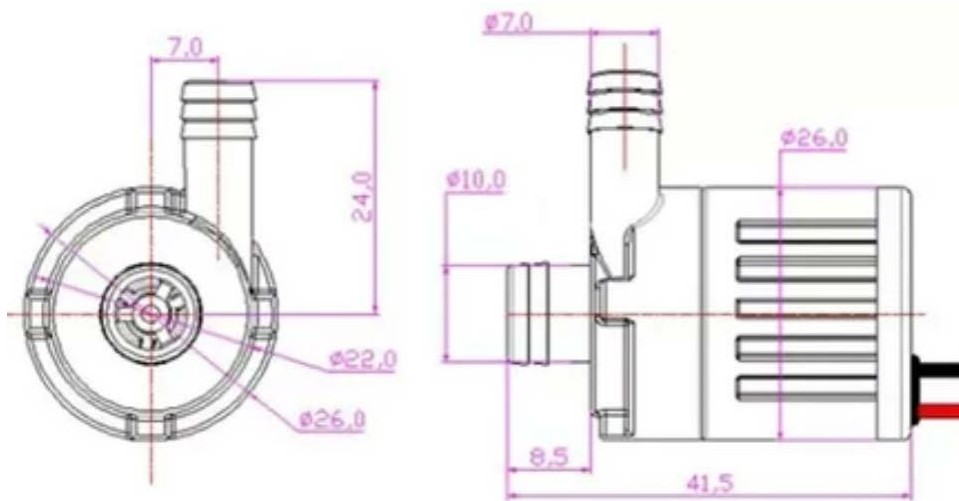
Title: WATR1006 Test Fixture Pump and Filter Data

Date: 08/05/21

Rev: A

Test Fixture Pump:

- Brushless 12V Mini Water Pump
- Voltage: 6-15VDC
- Flow Rate: 280 L/H (1.2 GPM)
- 1.2 M head at 12 VDC
- Size:



- Links:
 - <https://www.amazon.com/Brushless-0-5-4W-Silent-Ceramic-Submersible/dp/B08RWP6GJF>
 - <https://coldandcolder.com/products/12v-micro-water-pump>
- Operating conditions:
 - Voltage: 11.9 VDC
 - Current: 0.32A
 - Flow Rate out of pump: ~2L/min

