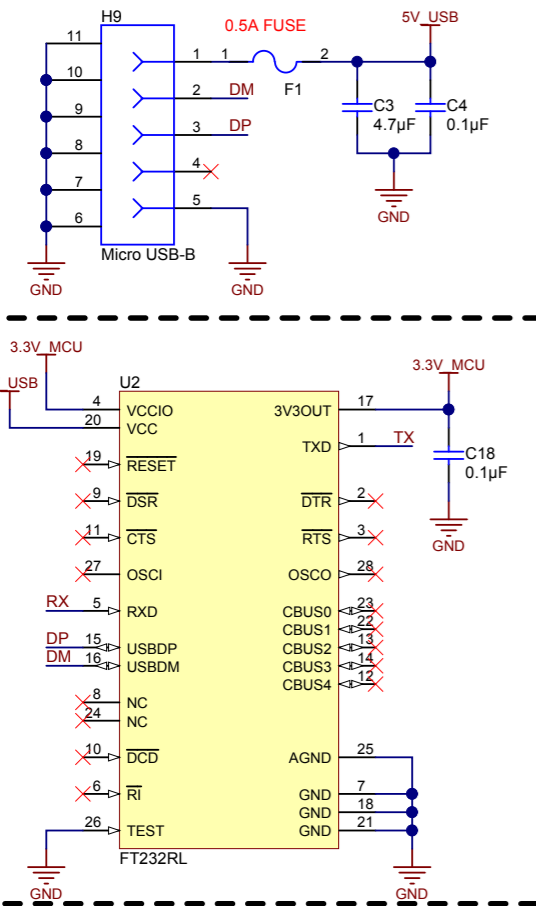
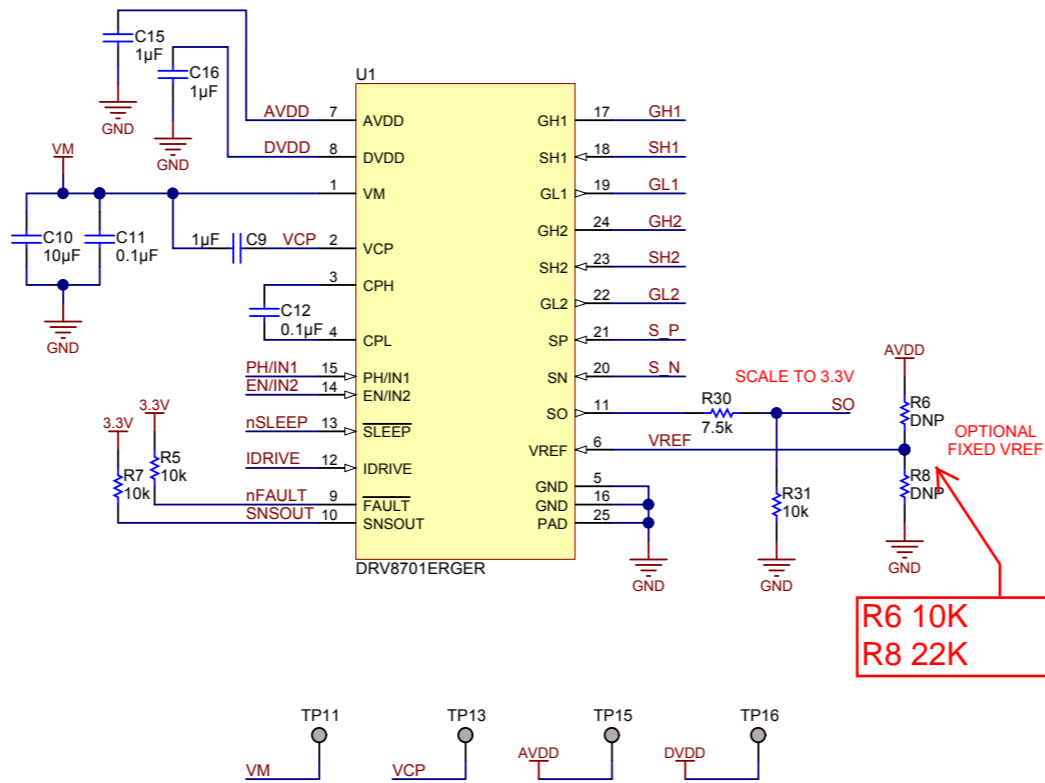


# USB <-> UART

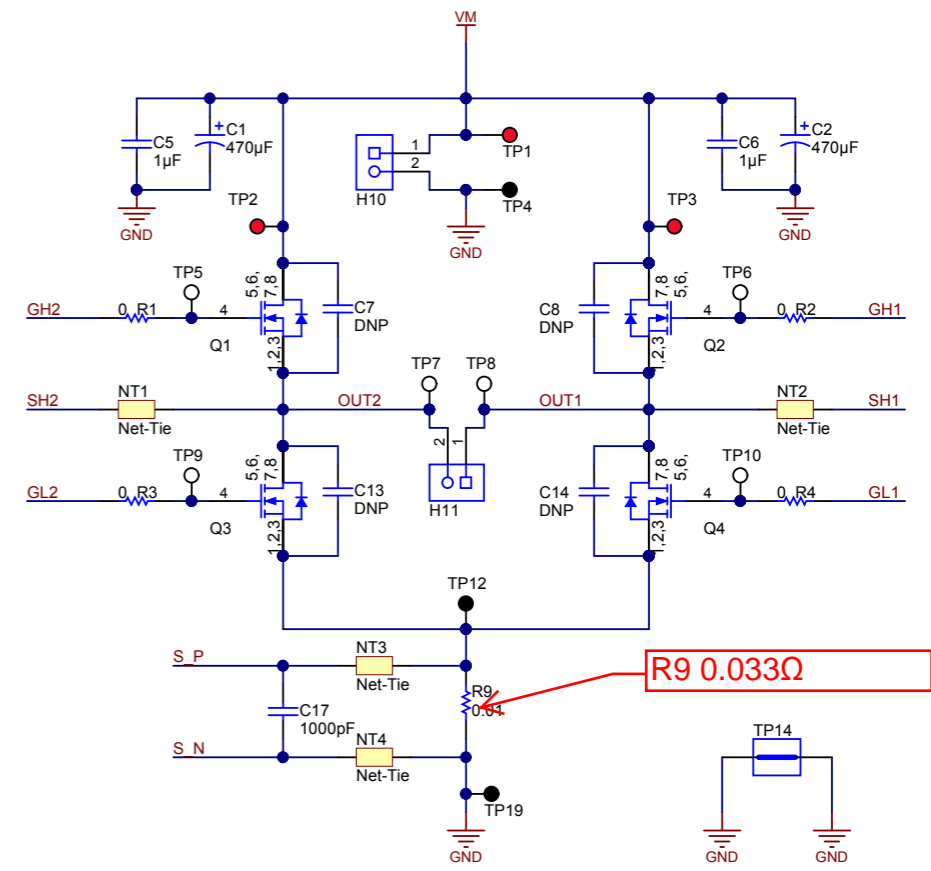


# DRV8701



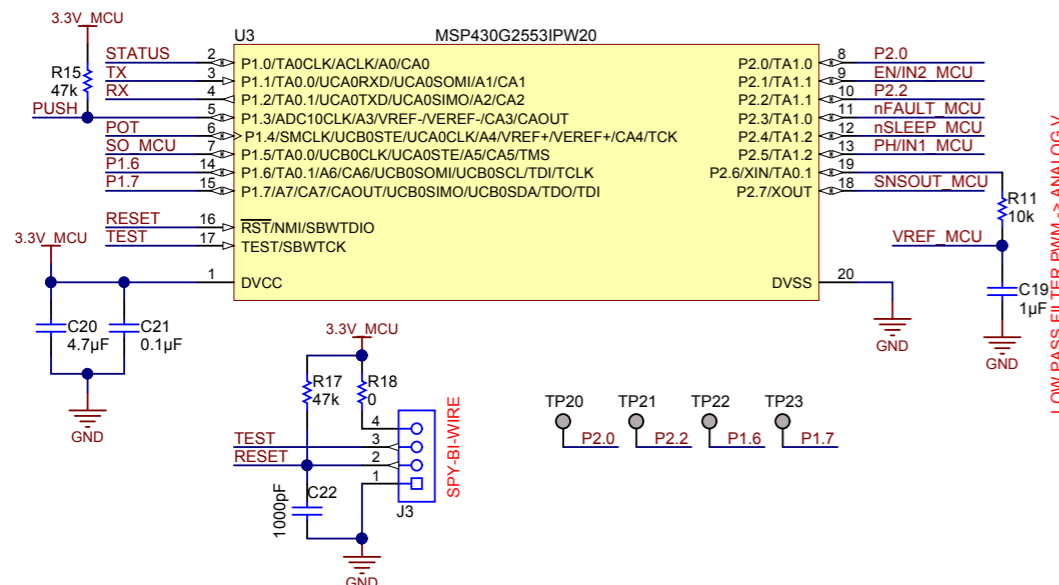
R6 10K  
R8 22K

# DRIVE STAGE

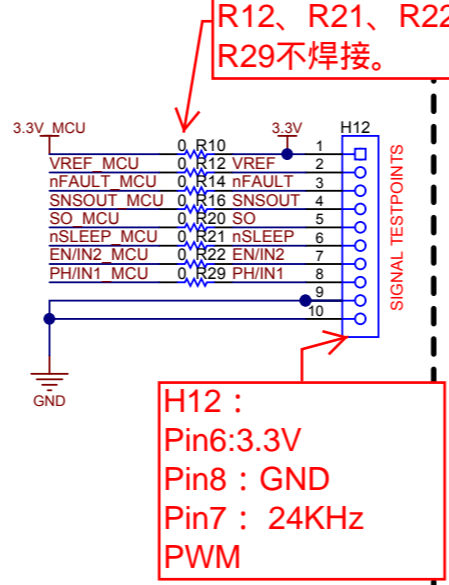


R9 0.033Ω

# MSP430 & SPY-BI-WIRE



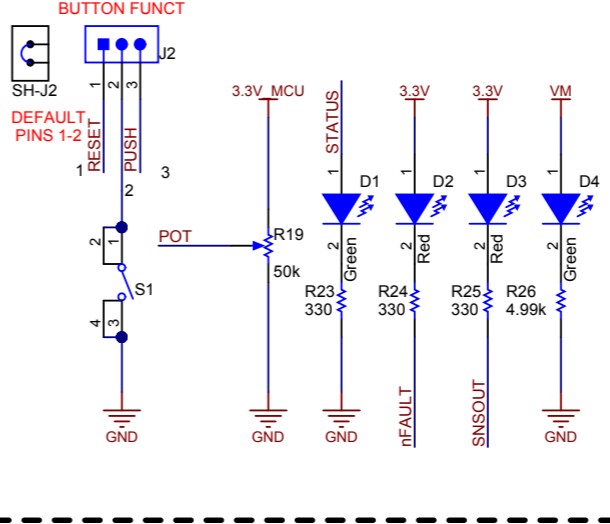
# MCU TO DRV



R12, R21, R22, R29不焊接。

H12 :  
Pin6:3.3V  
Pin8 : GND  
Pin7 : 24KHz  
PWM

# BUTTON-POT-LEDS



# IDRIVE SETTINGS

